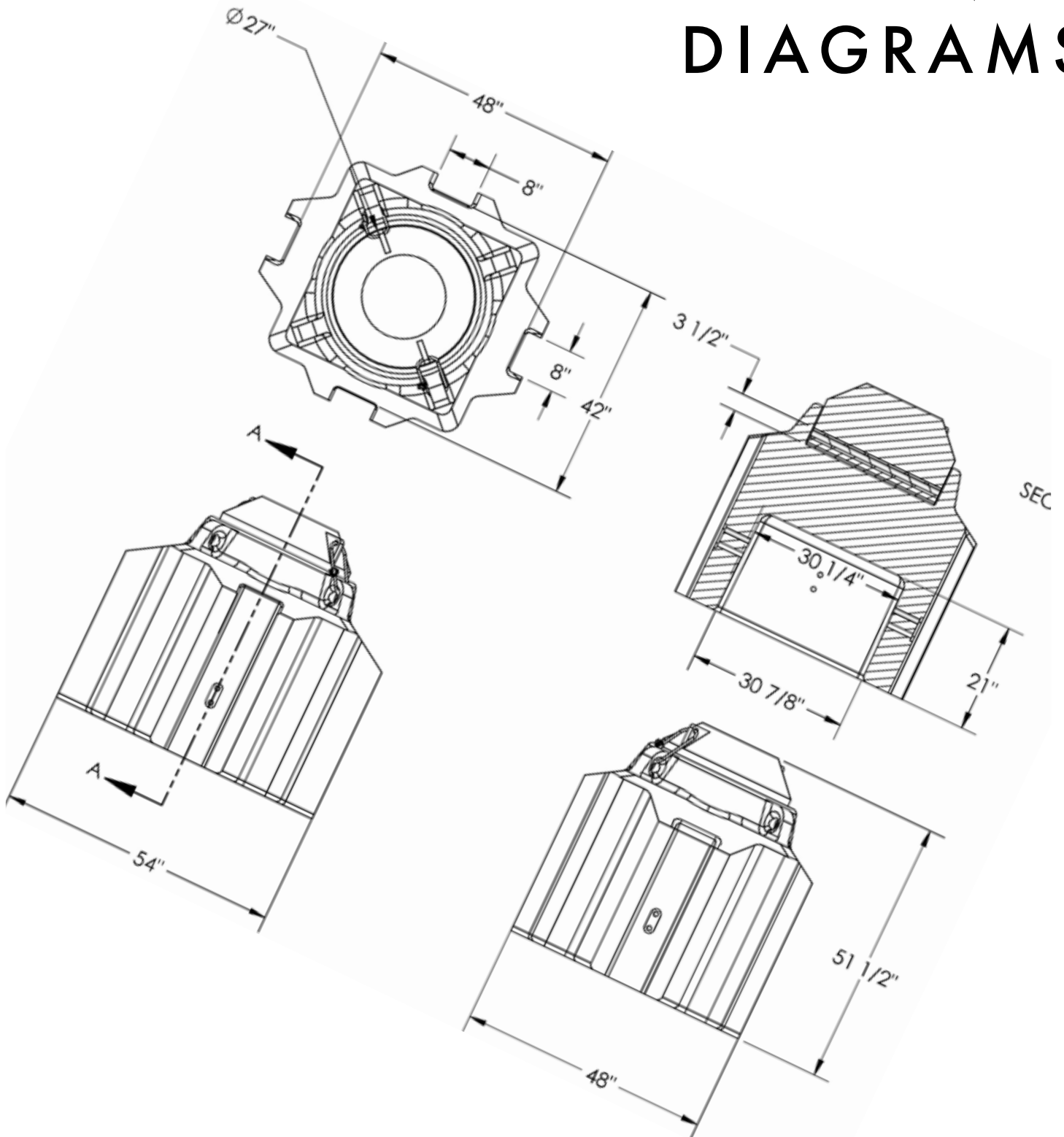


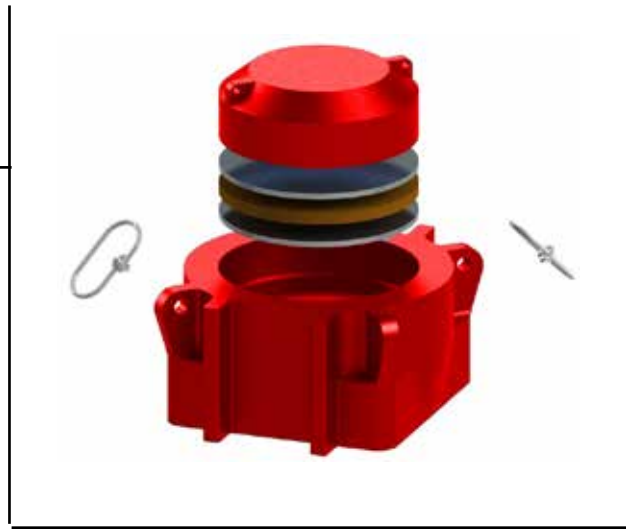
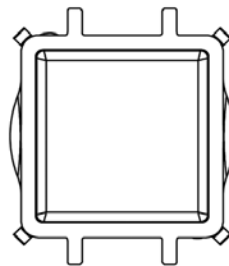
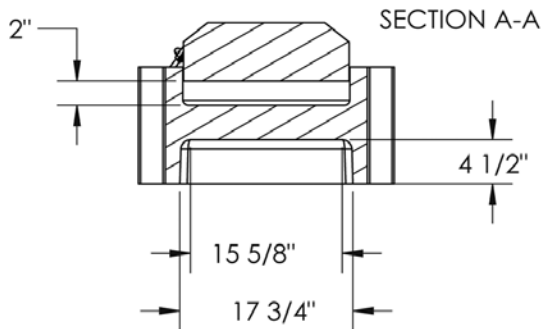
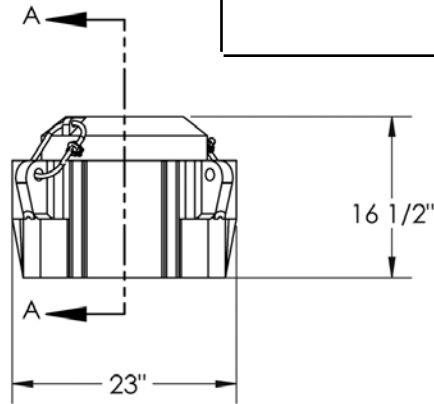
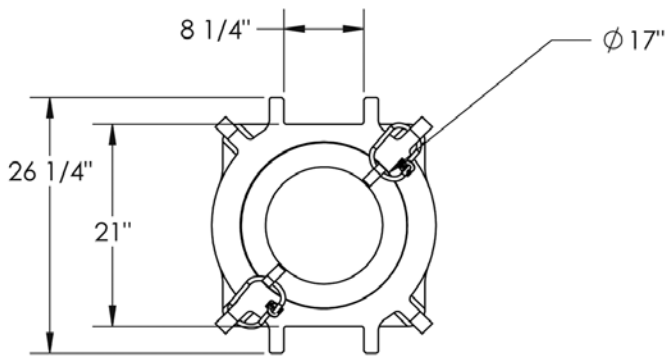
HELMET DIAGRAMS




Primary Helmets	3–8
Offshore Helmets	9–16
Neck Adapter/Follower	17–25
Helmet Inserts	26–46
Square Concrete Helmets	47–50
Concrete Cylinder Helmets	51–53
Universal Helmets	54–55
EU Helmets	56–64

Primary Helmets

P-500 21" Primary Helmet Assembly & Diagram



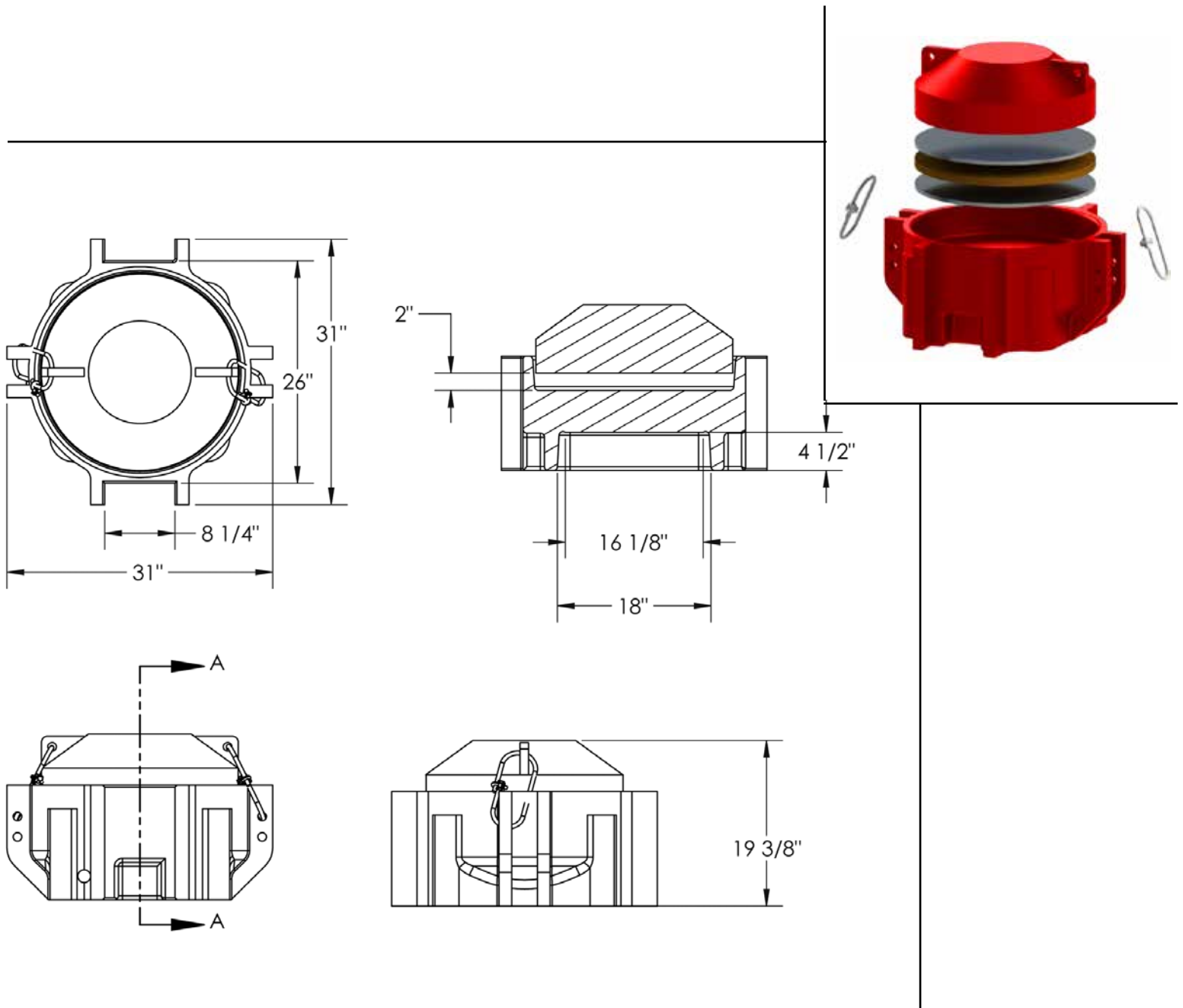
P-500 21" Primary Helmet

	#	Assembly	Qty	Weights lbs. approx	Accessories
	500521	Primary Helmet	1	1050	(8005537) 1/2"x 16" to 20" 6x36 IWRC steel cable(2 ea)
	500307	Striker Plate $\phi 17'' \times 6''$	1	330	(8001749) 7/16"-1/2" cable clamp crosby G-450 (2 ea)
	500157	aluminium cushion $\phi 17'' \times 1/2''$	2	22(for 2)	
	500107	phenolic cushion $\phi 17'' \times 1''$	1	12	


U-Lead Guiding: 21" x 8"

Total approx. weight= 1,414 lbs

P-501 26" Primary Helmet Assembly & Diagram



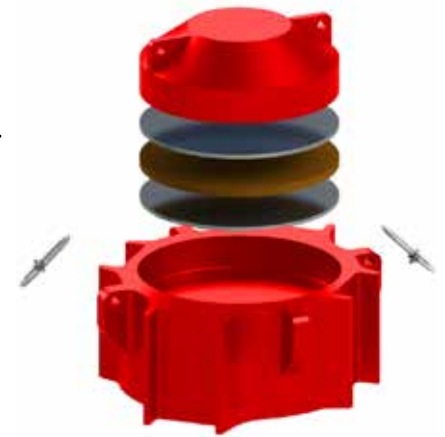
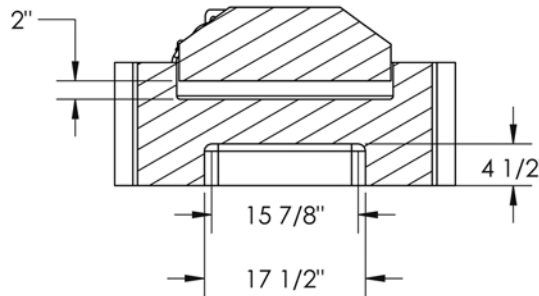
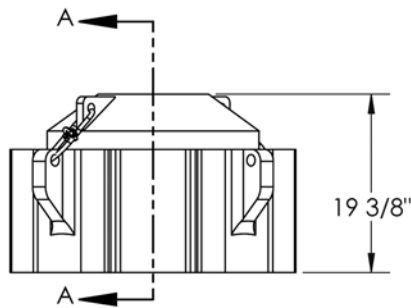
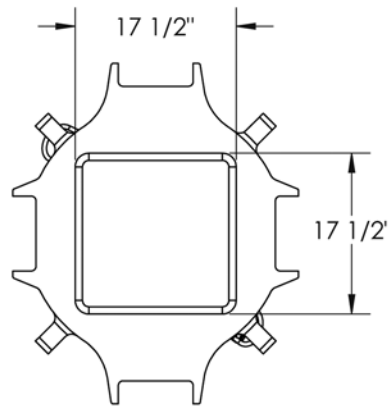
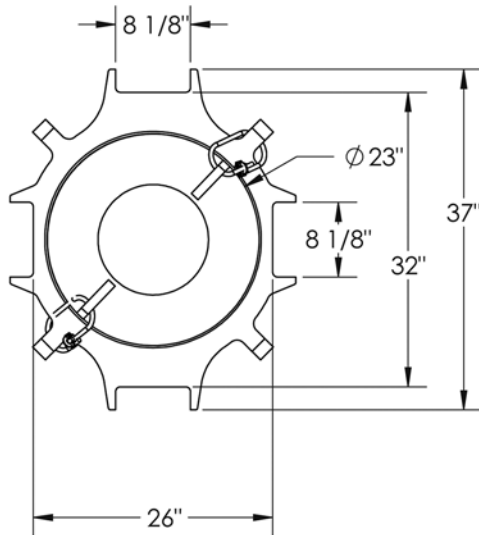
P-501 26" Primary Helmet

	#	Assembly	Qty	Weights lbs. approx	Accessories
	500526	Primary Helmet	1	2200	8005537) 1/2" x 16" to 20" 6x36 IWRC steel cable(2 ea)
	500309HD	Striker Plate Ø 23"x8"	1	798	(8001749) 7/16"-1/2" cable clamp crosby G-450 (2 ea)
	500159	aluminium cushion Ø 23"x1/2"	2	42 (for 2)	
	500109	phenolic cushion Ø 23"x1"	1	28	

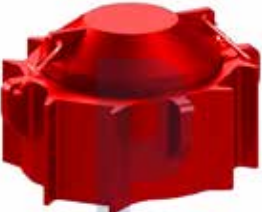
U-Lead Guiding: 26" x 8"

Total approx. weight= 3,068 lbs

P-503 32" Primary Helmet Assembly & Diagram



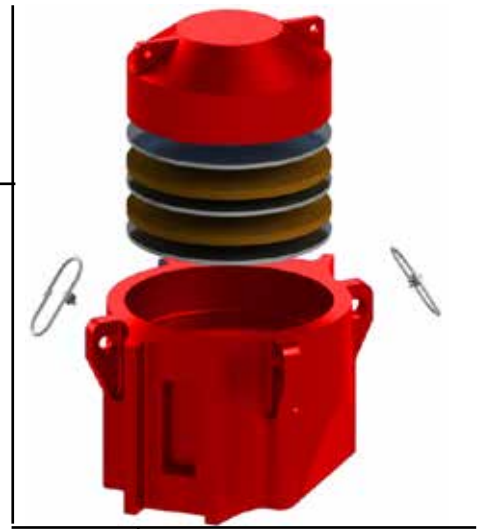
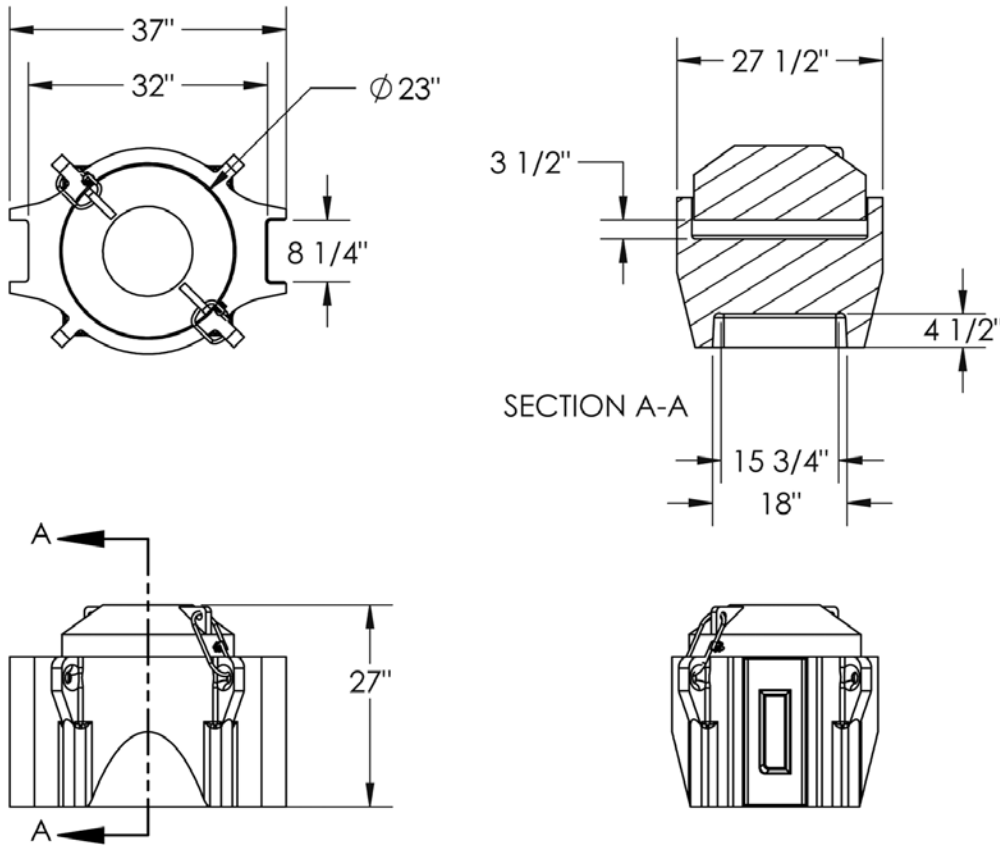
P-503 32" Primary Helmet


	#	Assembly	Qty	Weights lbs. approx	Accessories
	500532	Primary Helmet	1	2750	(8005537) 1/2" x 16" to 20" 6x36 IWRC steel cable(2 ea)
	500309HD	Striker Plate Ø 23"x8"	1	798	(8001749) 7/16"-1/2" cable clamp crosby G-450 (2 ea)
	500159	aluminium cushion Ø 23"x1/2"	2	42 (for 2)	
	500109	phenolic cushion Ø 23"x1"	1	28	

U-Lead Guiding: 26" x 8", 32" x 8"

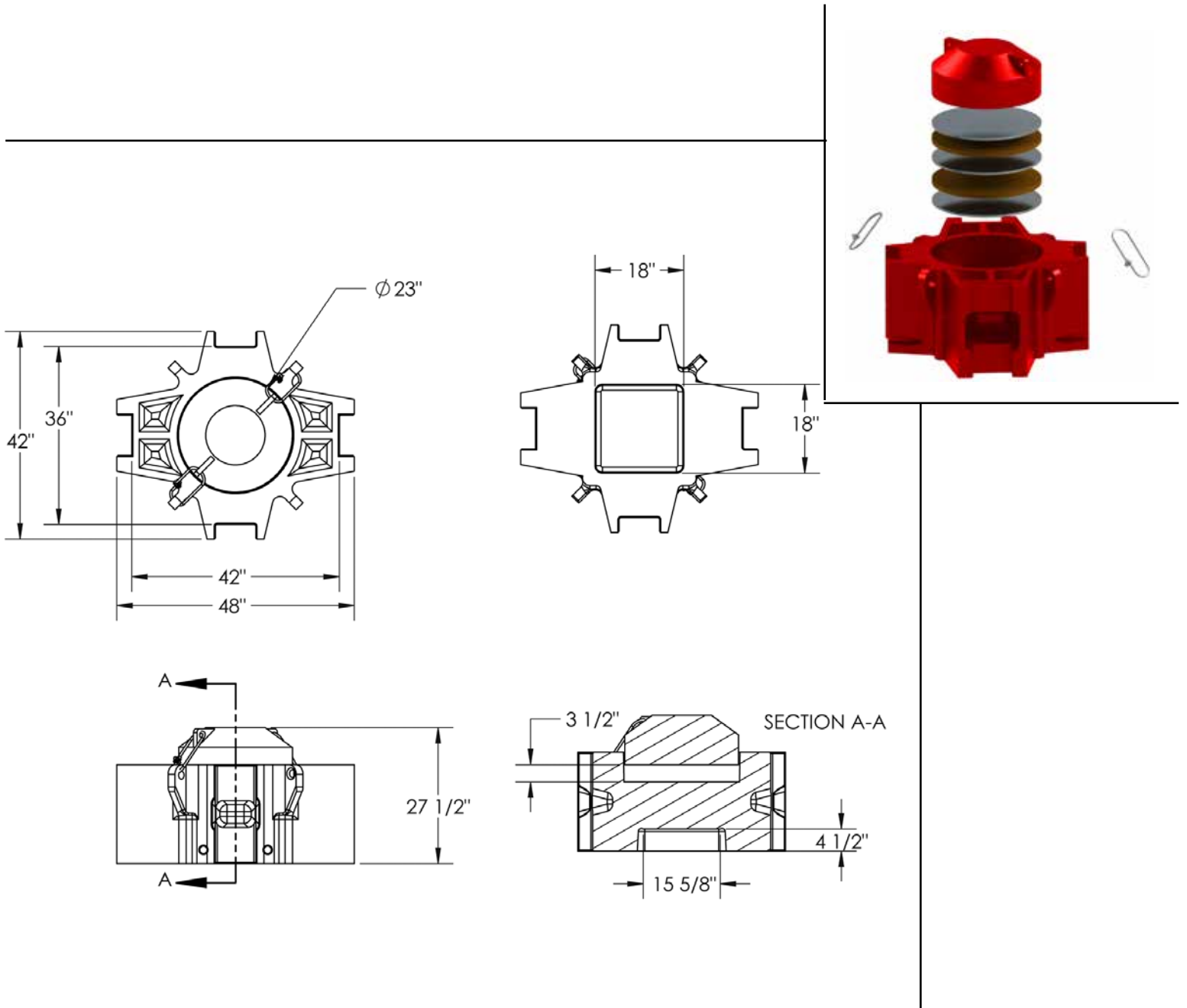
Total approx. weight= 3,618 lbs


P-504 32" HD Primary Helmet Assembly & Diagram



P-504 32" HD Primary Helmet					
	#	Assembly	Qty	Weights lbs. approx	Accessories
	500532 HD	Primary Helmet	1	2820	(8005537) 1/2" x 16" to 20" 6x36 IWRC steel cable(2 ea)
	500315	Striker Plate $\phi 23"$ x10"	1	974	(8001749) 7/16"-1/2" cable clamp crosby G-450 (2 ea)
	500159	aluminium cushion $\phi 23"$ x1/2"	3	63 (for 3)	
	500109	phenolic cushion $\phi 23"$ x1"	2	56 (for 2)	
U-Lead Guiding: 32" x 8"			Total approx. weight= 3,913 lbs		

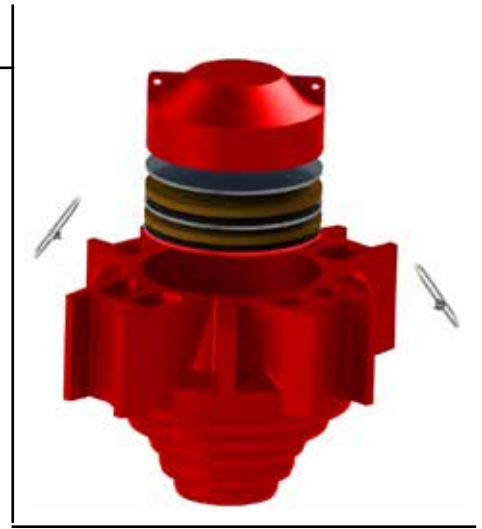
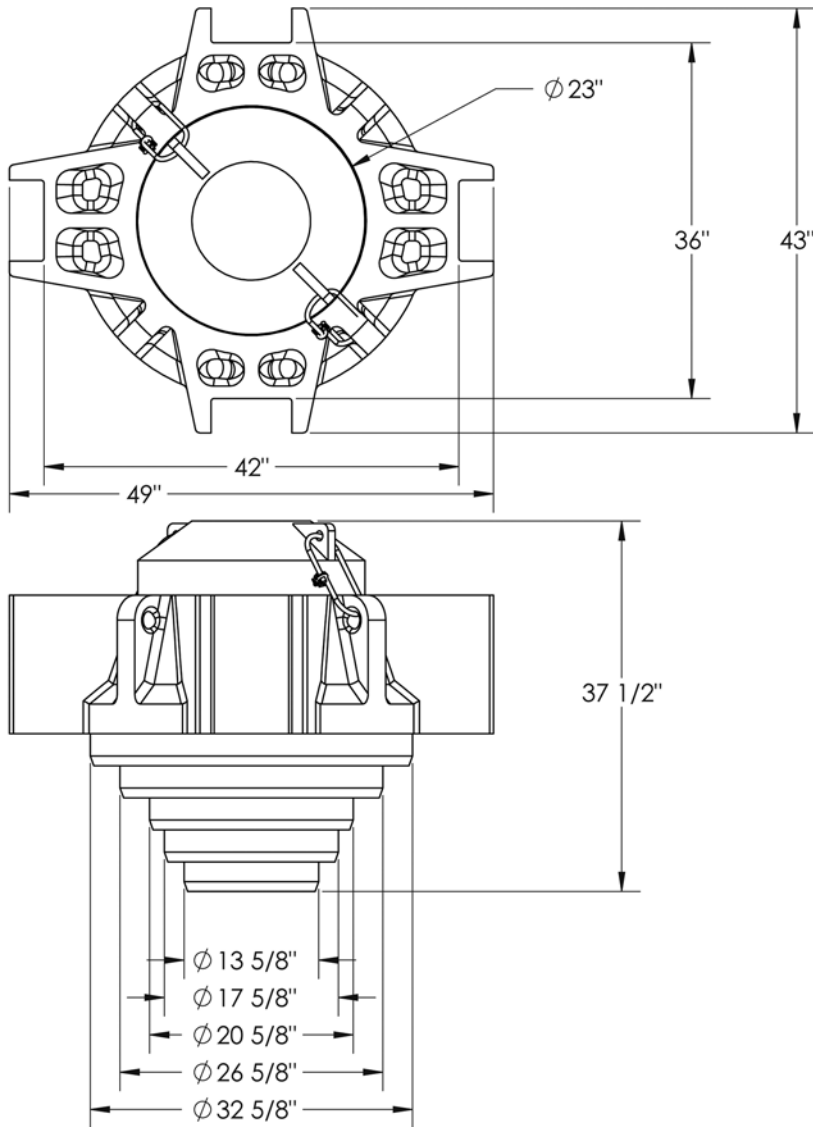
P-507 42" HD Primary Helmet Assembly & Diagram




P-507 42" Primary Helmet					
	#	Assembly	Qty	Weights lbs. approx	Accessories
	500542	Primary Helmet	1	5400	(8005537) $\frac{1}{2}"$ x 16" to 20" 6x36 IWRC steel cable(2 ea)
	500315	Striker Plate $\phi 23" \times 10"$	1	974	(8001749) $\frac{7}{16}" - \frac{1}{2}"$ cable clamp crosby G-450 (2 ea)
	500159	aluminium cushion $\phi 23" \times 1 \frac{1}{2}"$	3	63 (for 3)	
	500109	phenolic cushion $\phi 23" \times 1"$	2	56 (for 2)	
U-Lead Guiding: 42" x 8", 36" x 8"				Total approx. weight= 6,493 lbs	

Offshore Helmets

P-514 36" Offshore Male Helmet Assembly & Diagram

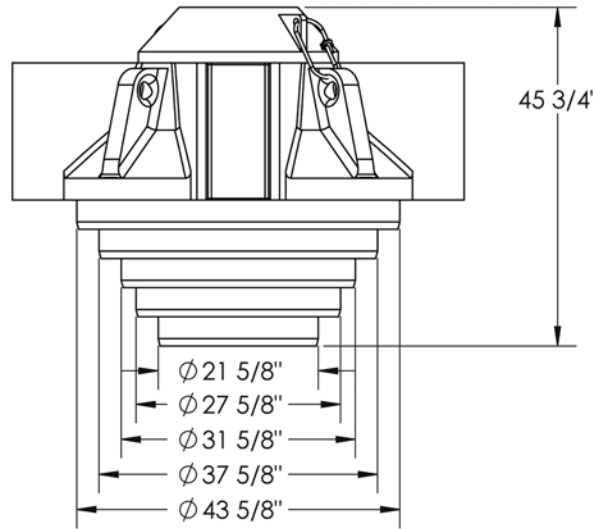
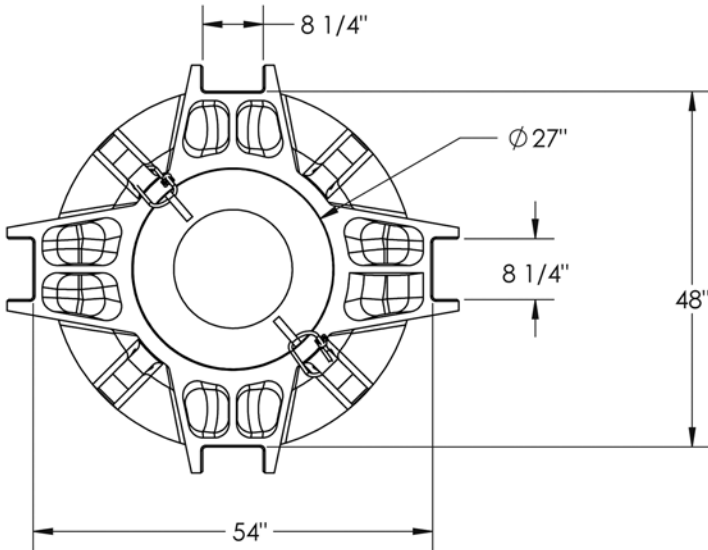


P-514 36" OFFSHORE MALE TYPE HELMET ASSEMBLY


	#	Assembly	Qty	Weights lbs. approx.	Accessories
	410455	Male type Offshore Helmet	1	6,300	(8005537) 1/2" x 16" to 20" 6x36 IWRC steel cable(2 ea)
	500315	striker plate, $\phi 23" \times 10"$	1	974	(8001749) 7/16" - 1/2" cable clamp crosby G-450 (2 ea)
	500159	aluminium cushion, $\phi 23" \times 1 \frac{1}{2}"$	3	63 (for 3)	
	500109	phenolic cushion, $\phi 23" \times 1"$	2	56 (for 2)	
				Total: 7,393 lbs	

Pipe Pile Size: 16"x 1", 20"x 1" 24"x 1-1/2", 30"x 1-1/2", 36"x 1-1/2" **U-Lead Size:** 36.5" x 8", 42.5" x 8"

P-515 48" Offshore Male Helmet Assembly & Diagram

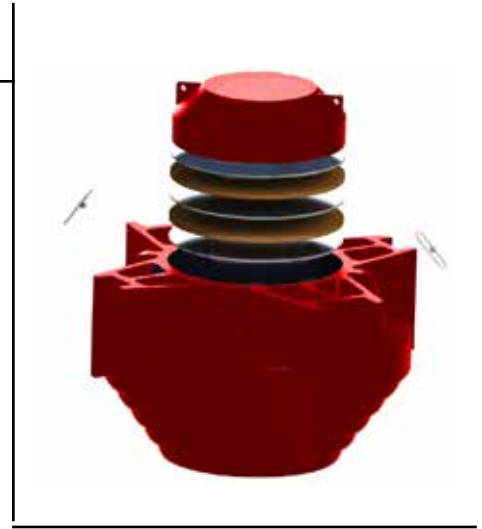
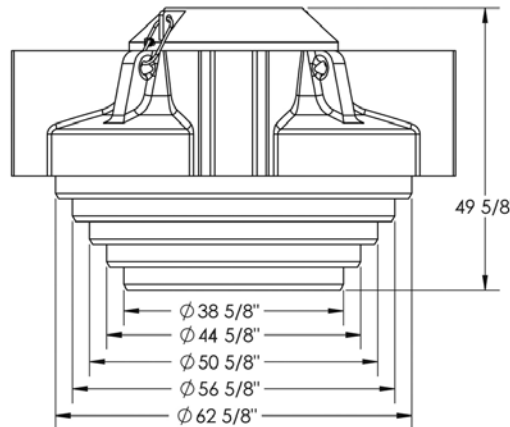
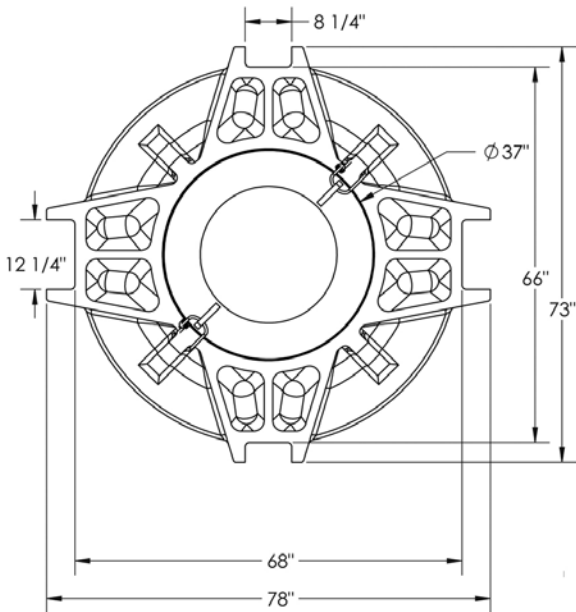



P-515 48" OFFSHORE MALE TYPE HELMET ASSEMBLY

	#	Assembly	Qty	Weights lbs. approx	Accessories
	410452	Male type Offshore Helmet	1	14,400	(8005537) 1/2" x 16" to 20" 6x36 IWRC steel cable(2 ea)
500330	striker plate, Ø 27"x12"	1	1,532	(8001749) 7/16"-1/2" cable clamp crosby G-450 (2 ea)	
500160	aluminium cushion, Ø 27"x1/2"	3	84 (for 3)		
500110	phenolic cushion, Ø 27"x1"	2	76 (for 2)		
				Total: 16,092 lbs	

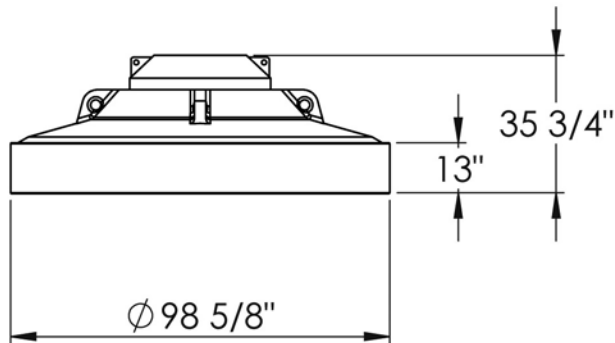
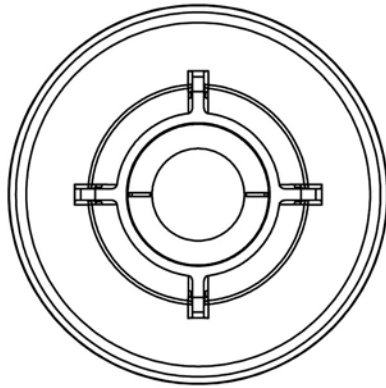
Pipe Pile Size: 24" x 1", 30" x 1", 36" x 2" , 42" x 2", 48" x 2" **U-Lead Size:** 48.5" x 8", 54.5" x 8"

P-516 66" Offshore Male Helmet Assembly & Diagram




P-516 66" OFFSHORE MALE TYPE HELMET ASSEMBLY					
	#	Assembly	Qty	Weights lbs. approx	Accessories
	410453	Male type Offshore Helmet	1	26,600	(8005537) 1/2" x 16" to 20" 6x36 IWRC steel cable(2 ea)
	500335	striker plate, $\phi 37'' \times 12''$	1	3,080	(8001749) 7/16"-1/2" cable clamp crosby G-450 (2 ea)
	500165	aluminium cushion, $\phi 37'' \times 1/2''$	3	159 (for 3)	
	500115	phenolic cushion, $\phi 37'' \times 1''$	2	142 (for 2)	
				Total: 29,981 lbs	
Pipe Pile Size: 42" x 1-1/2", 48" x 1-1/2", 54" x 1-1/2", 60" x 1-1/2", 66" x 1-1/2" U-Lead Size: 66.5" x 8", 68.5" x 12"					

P-517 98" Large Diameter Drive Plate Assembly & Diagram



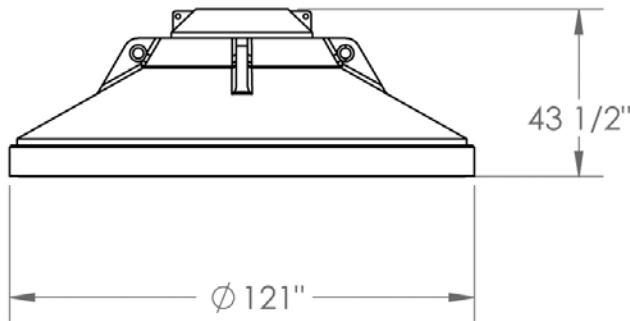
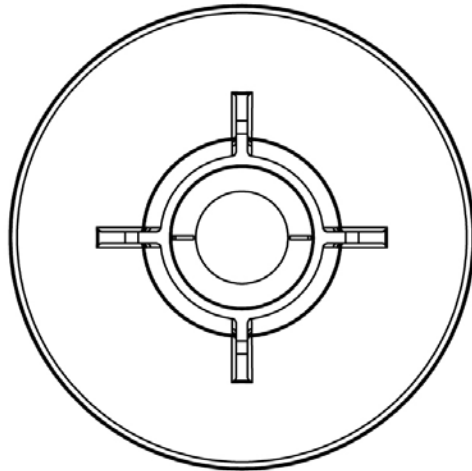
P-517 98" LARGE DIAMETER DRIVE PLATES

	#	Assembly	Qty	Weights lbs. approx	Accessories
	410454	98" Drive Plates Diameter	1	38,400	(8005537) 1/2" x 16" to 20" 6x36 IWRC steel cable(2 ea)
500335-B	striker plate, $\phi 37"$ x 16"	1	4,217	(8001749) 7/16" - 1/2" cable clamp crosby G-450 (2 ea)	
500165	aluminium cushion, $\phi 37"$ x 1/2"	3	159 (for 3)		
500115	phenolic cushion, $\phi 37"$ x 1"	2	142 (for 2)		
			Total:	42,918 lbs	


Pipe Pile Size: Up to 98-1/2"Ø , Use guide shoes for Ø 66", 72", 84", 96"

OS Type Lead: OS 98

P-518 120" Large Diameter Drive Plate Assembly & Diagram



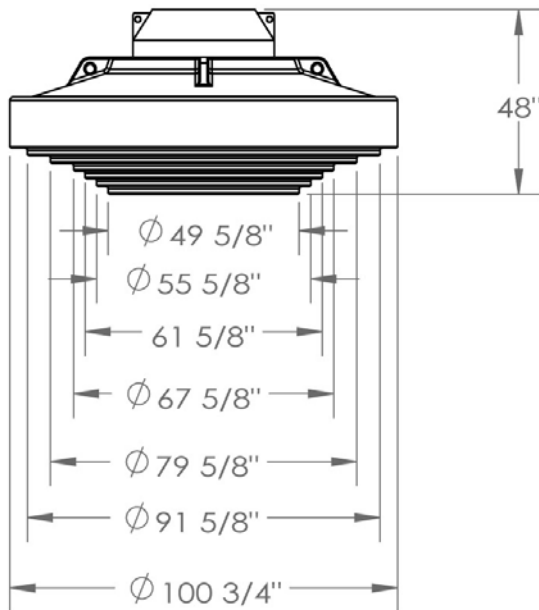
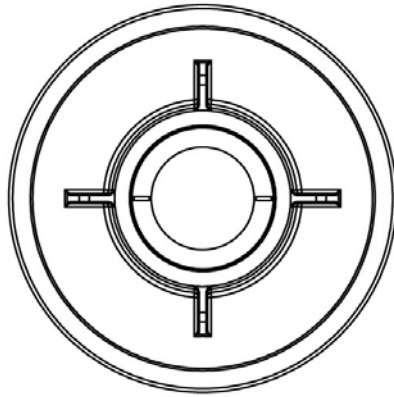
P-518 120" LARGE DIAMETER DRIVE PLATES

	#	Assembly	Qty	Weights lbs. approx	Accessories
	410456	120" Drive Plates Diameter	1	61,001	(8005537) 1/2" x 16" to 20" 6x36 IWRC steel cable(2 ea)
	500335-B	striker plate, Ø 37" x 16"	1	4,217	(8001749) 7/16"-1/2" cable clamp crosby G-450 (2 ea)
	500165	aluminium cushion, Ø 37" x 1/2"	3	159 (for 3)	
	500115	phenolic cushion, Ø 37" x 1"	2	142 (for 2)	
				Total: 65,519 lbs	


Pipe Pile Size: Up to 120"Ø Use guide shoes for Ø 84", 96", 98", 108",114"

OS Type Lead: 10120

P-528 98" Large Diameter Step Drive Plate Assembly & Diagram



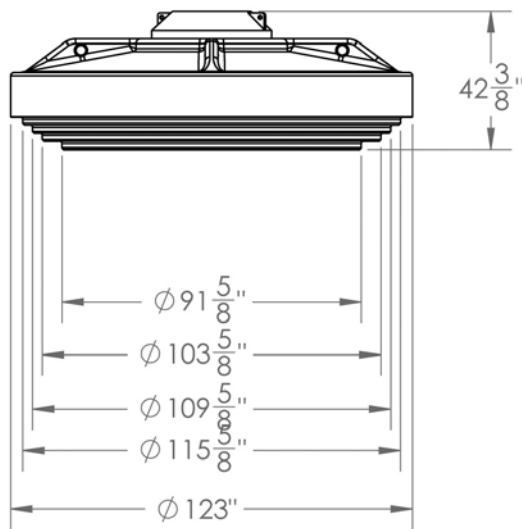
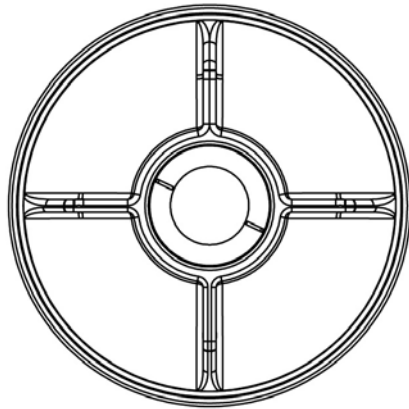
P-528 98" LARGE DIAMETER STEP DRIVE PLATES

	#	Assembly	Qty	Weights lbs. approx	Accessories
	410474	98" Step Drive Plates Diameter	1	46,578	(8005537) 1/2" x 16" to 20" 6x36 IWRC steel cable(2 ea)
	500335-B	striker plate, Ø 37" x 16"	1	4,217	(8001749) 7/16"-1/2" cable clamp crosby G-450 (2 ea)
	500165	aluminium cushion, Ø 37" x 1/2"	3	159 (for 3)	
	500115	phenolic cushion, Ø 37" x 1"	2	142 (for 2)	
				Total: 51,096 lbs	


Pipe Pile Size: 54", 60", 66", 72", 84", 96" 98" Ø

OS Type Lead : 10098

P-529 120" Large Diameter Step Drive Plate Assembly & Diagram

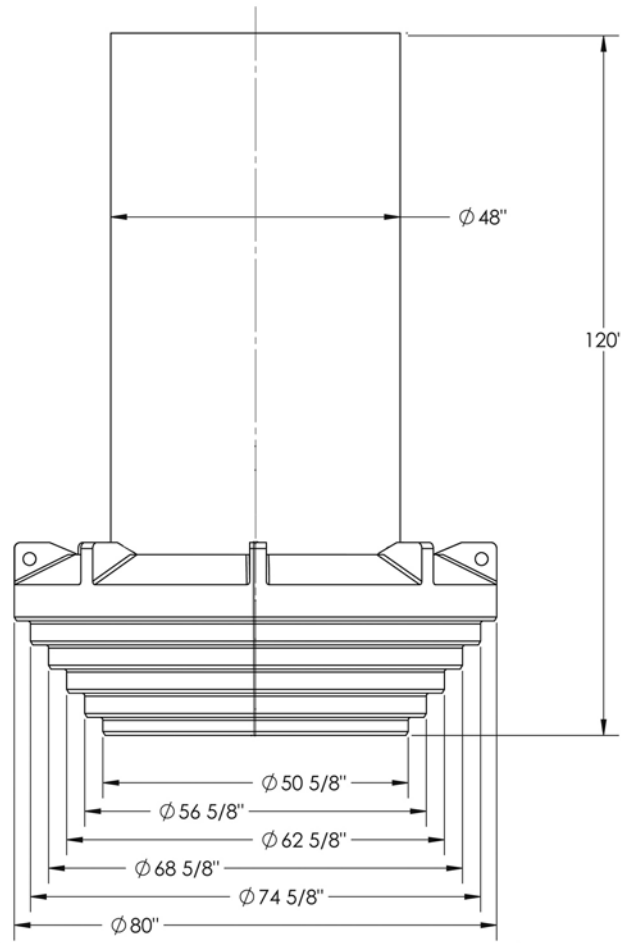


P-529 120" LARGE DIAMETER STEP DRIVE PLATES

	#	Assembly	Qty	Weights lbs. approx	Accessories
	410464	120" Step Drive Plates Diameter	1	74,621	(8005537) 1/2" x 16" to 20" 6x36 IWRC steel cable(2 ea)
	500335-B	striker plate, Ø 37" x 16"	1	4,217	(8001749) 7/16"-1/2" cable clamp crosby G-450 (2 ea)
	500165	aluminium cushion, Ø 37" x 1/2"	3	159 (for 3)	
	500115	phenolic cushion, Ø 37" x 1"	2	142 (for 2)	
				Total: 79,139 lbs	

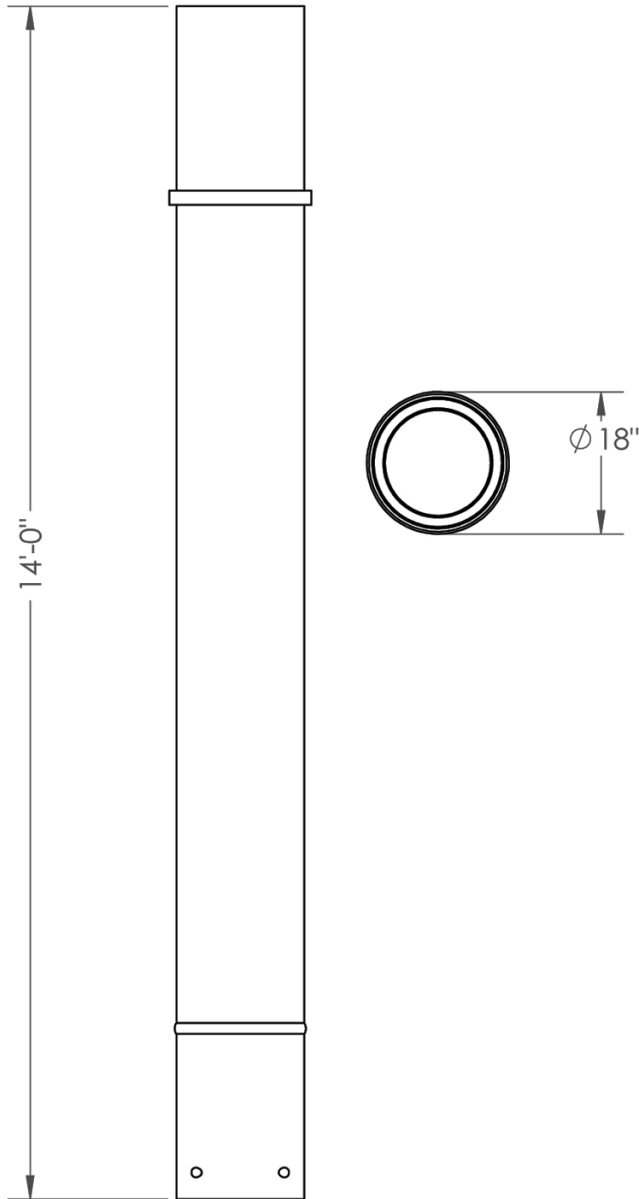
Pipe Pile Size: 96", 108", 114" & 120" Ø

OS Type Lead: 10120

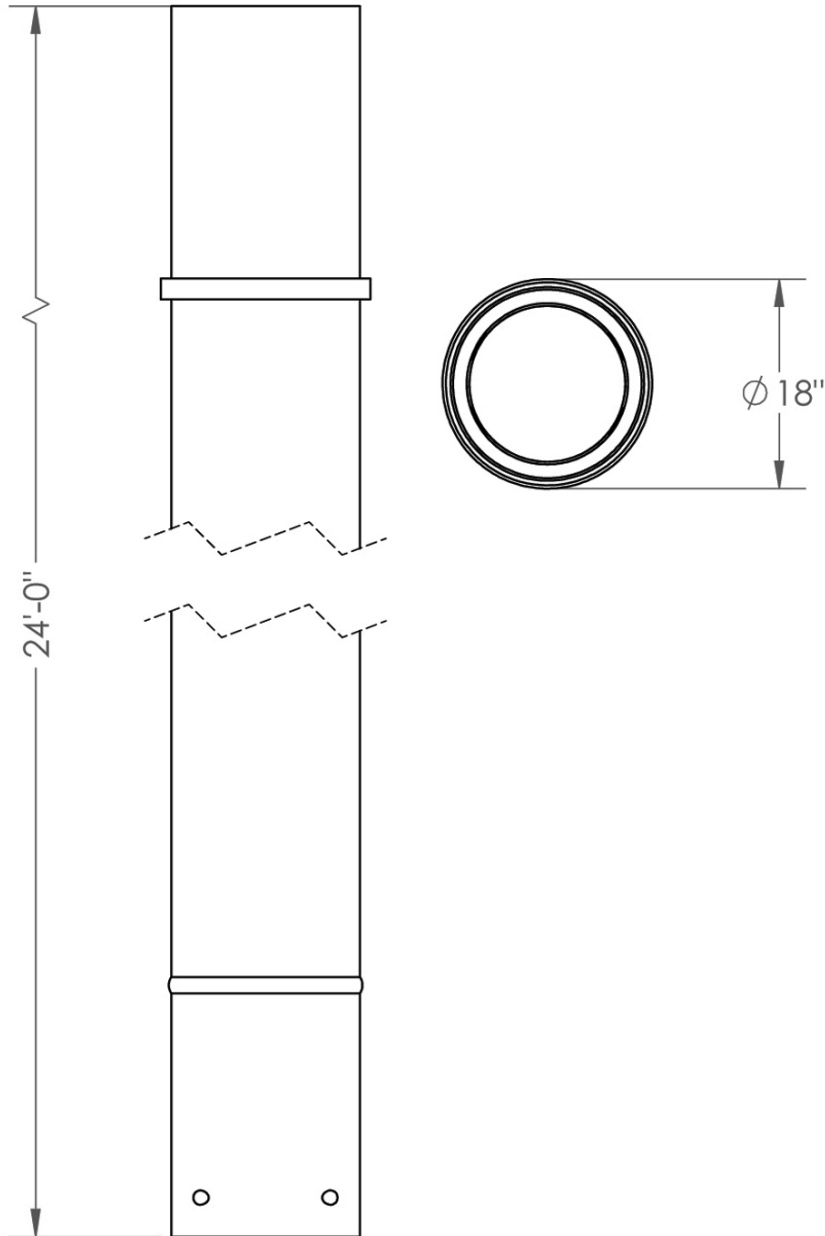

A104-48 Neck Adapter for 78" Pile
Inserts For Concrete Piles

48078	78", 72", 66", 60", 54" Pile	31,000 lbs Approx.
-------	------------------------------	---------------------------

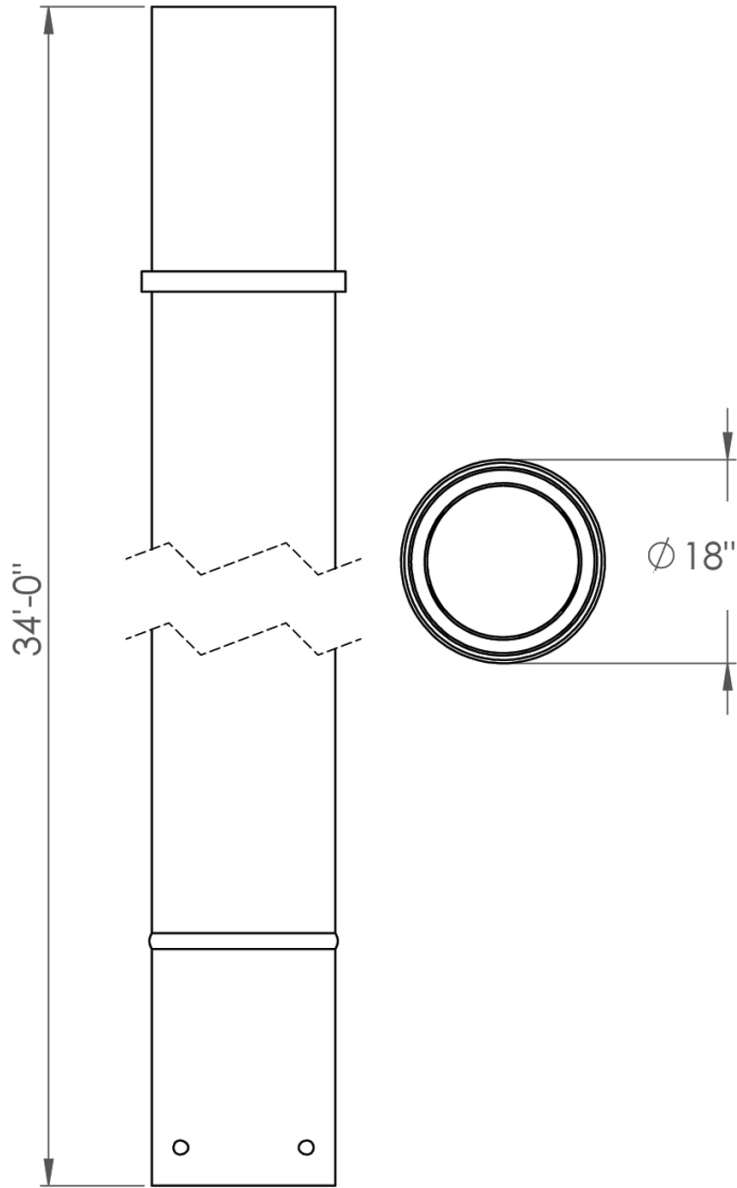
Followers

18" X 10 FT FOLLOWER PIPE ASSEMBLY

18" X 10 FT FOLLOWER PIPE ASSEMBLY

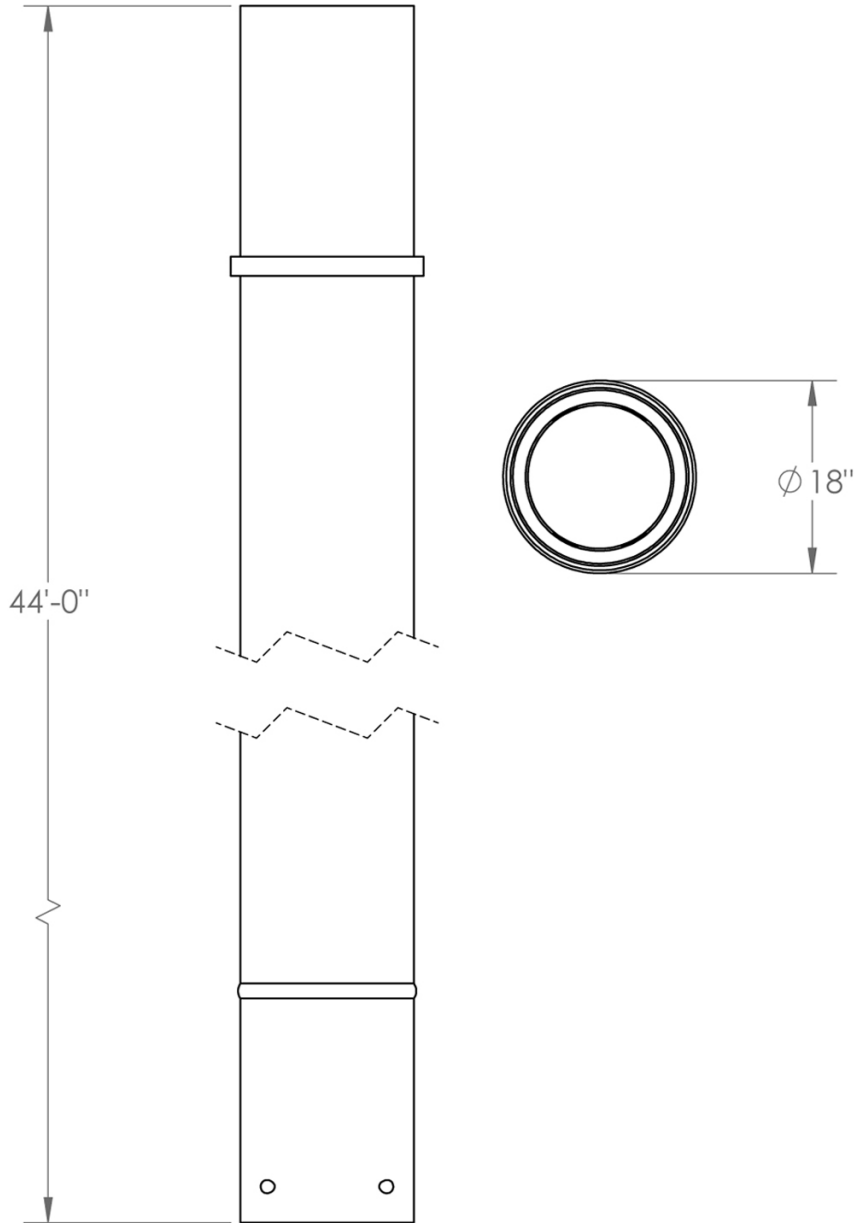
8001425	Used for various helmet inserts	3,293 lbs Approx.
---------	---------------------------------	--------------------------


18" X 20 FT FOLLOWER PIPE ASSEMBLY

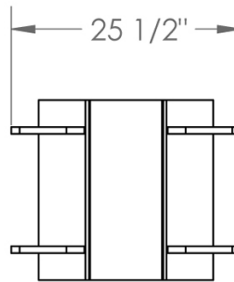
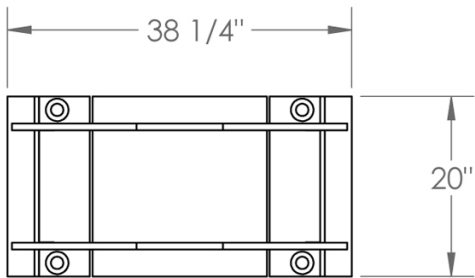
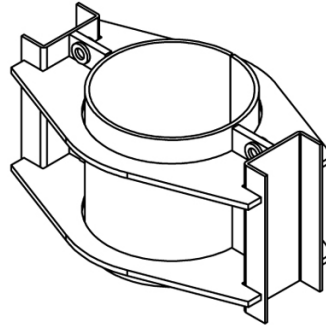
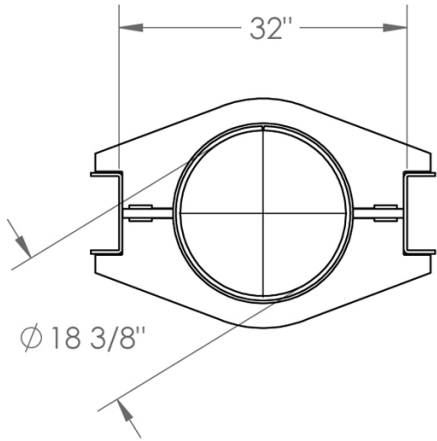
8001426	Used for various helmet inserts	6,586.34 lbs Approx.
---------	---------------------------------	-----------------------------


18" X 30 FT FOLLOWER PIPE ASSEMBLY

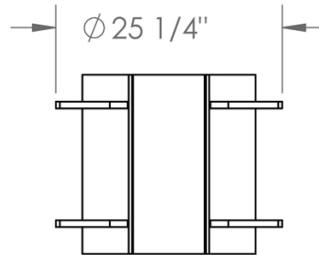
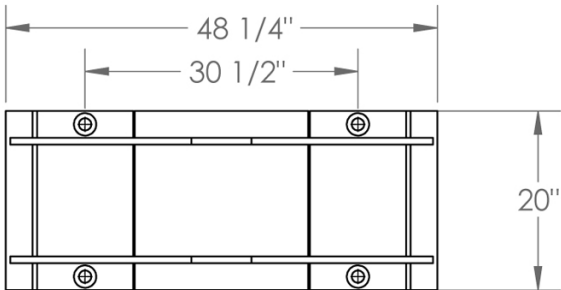
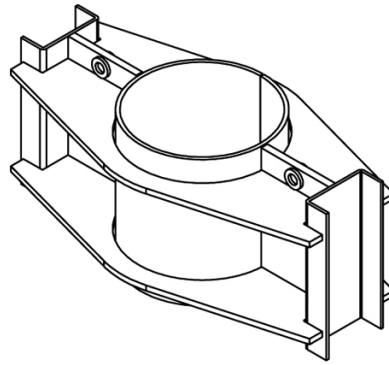
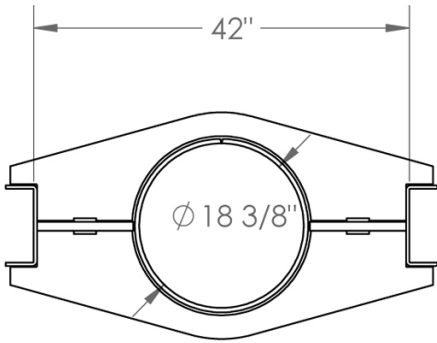
8001427	Used for various helmet inserts	9,331.49 lbs Approx.

18" X 40 FT FOLLOWER PIPE ASSEMBLY

18" X 40 FT FOLLOWER PIPE ASSEMBLY

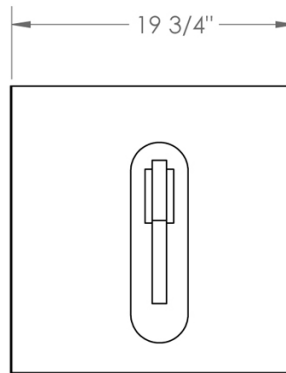
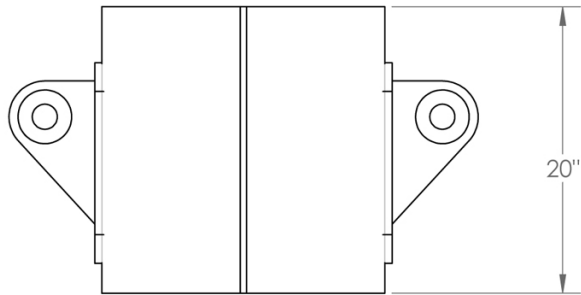
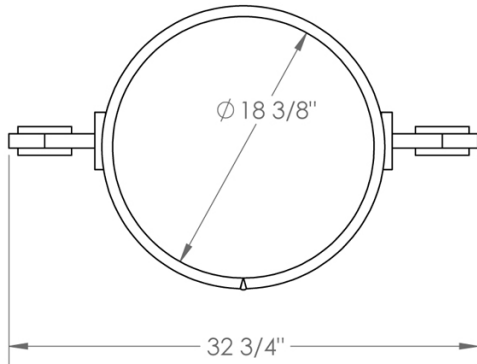
8001428	Used for various helmet inserts	12,076.64 lbs Approx
---------	---------------------------------	-----------------------------

U-32 18" FOLLOWER LIFT SLEEVE W/ GUIDING

U-32 18" FOLLOWER LIFT SLEEVE W/ GUIDING

8000795	U-32	452 lbs Approx
---------	------	-----------------------

U-42 18" FOLLOWER LIFT SLEEVE W/ GUIDING

U-42 18" FOLLOWER LIFT SLEEVE W/ GUIDING

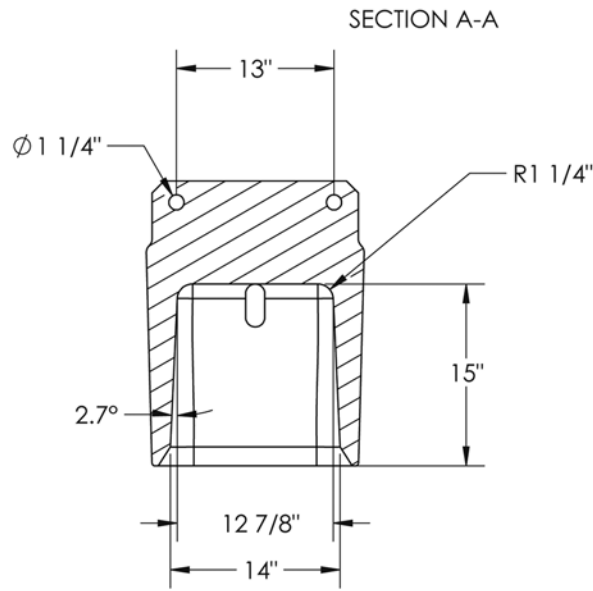
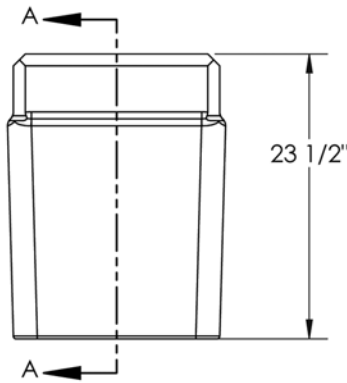
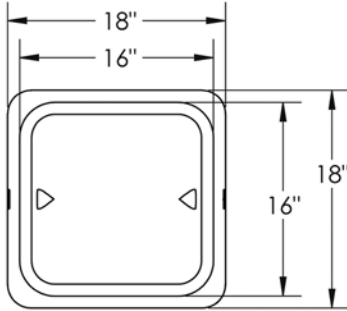
8001400	U-42	583 lbs Approx
---------	------	-----------------------

18" FOLLOWER LIFT SLEEVE NON GUIDING

18" FOLLOWER LIFT SLEEVE NON GUIDING

8000890		302.05 lbs Approx

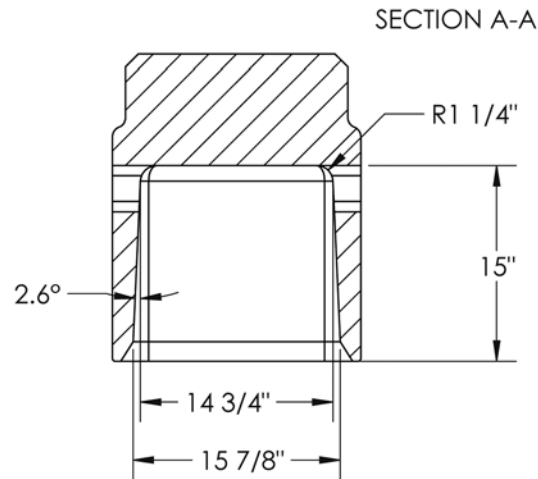
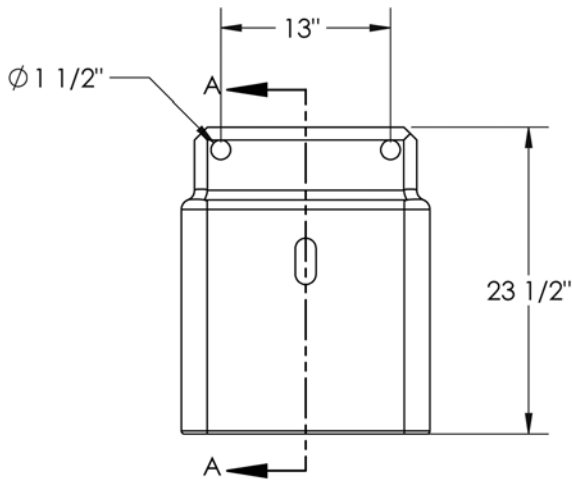
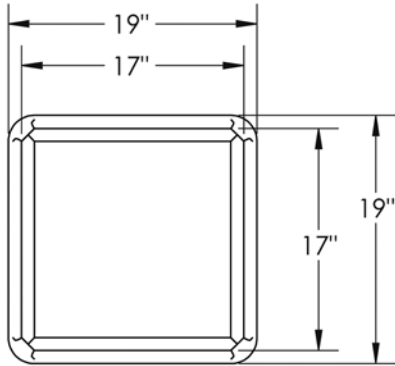
Helmet Inserts

Helmet Insert 12" Square Diagram

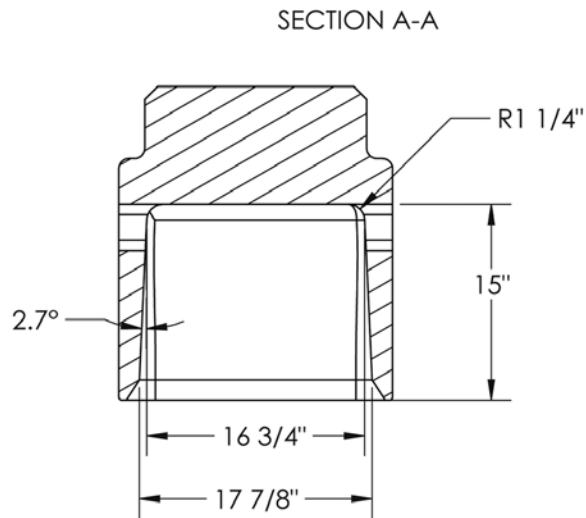
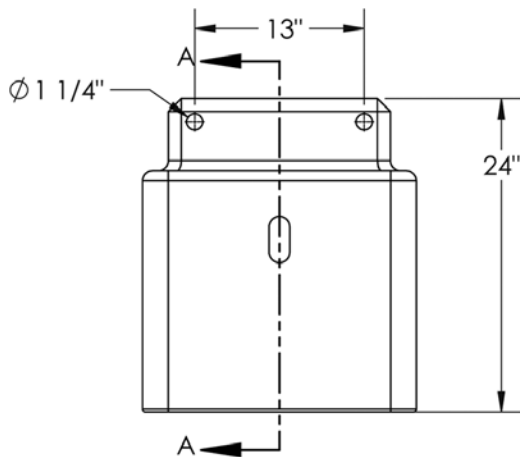
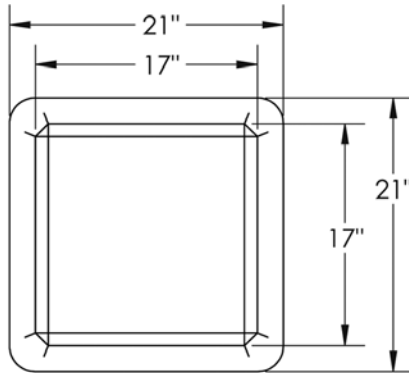


Helmet Insert 12" Square Helmets

Inserts For Concrete Piles		
500512	12" Square	1,120 lbs. <i>Approx.</i>

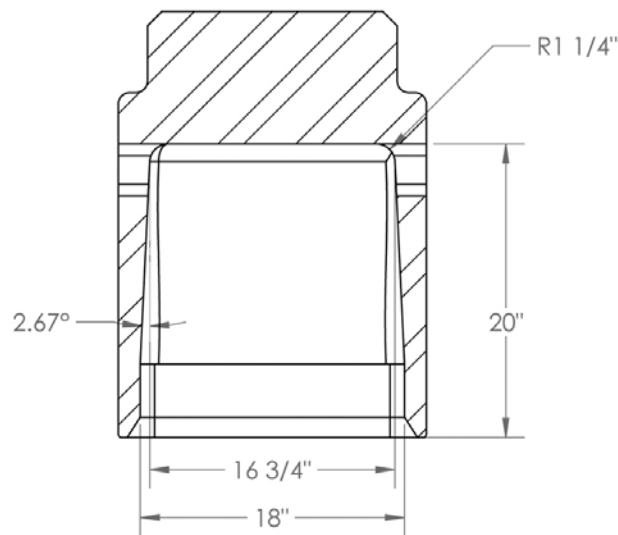
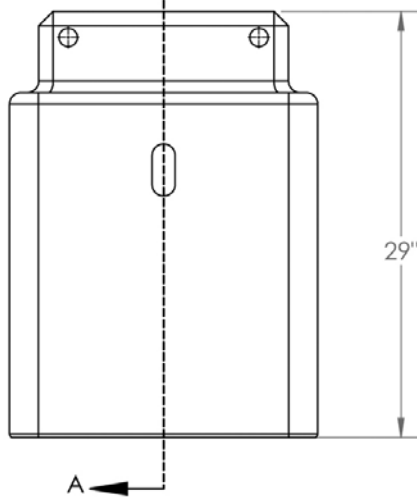
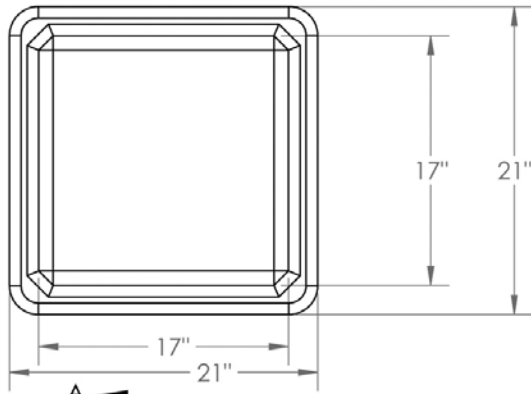

Helmet Insert 14" Square Helmets

Inserts For Concrete Piles		
500514	14" Square	1,170 lbs. <i>Approx.</i>


Helmet Insert 16" Square Helmets

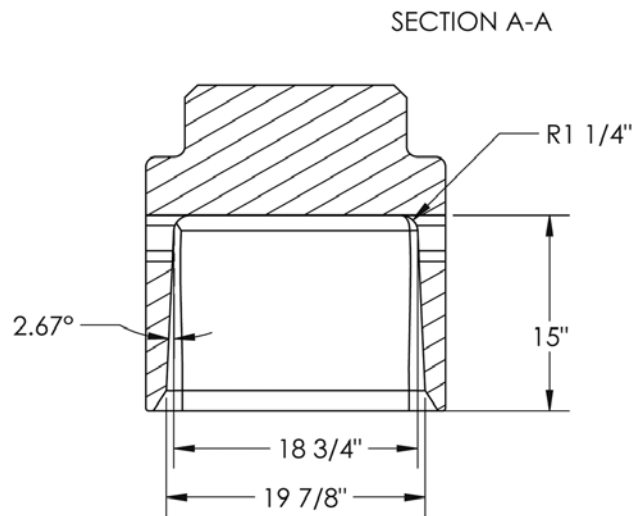
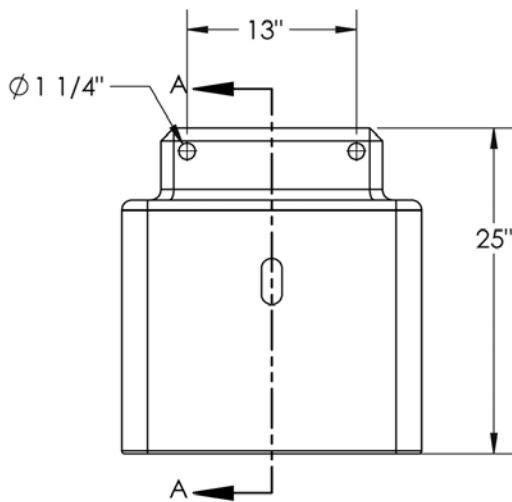
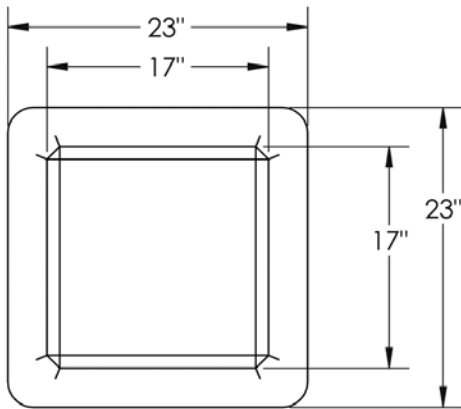
Inserts For Concrete Piles		
500516	16" Square	1,570 lbs. Approx.

Helmet Insert 16" Square Long Diagram



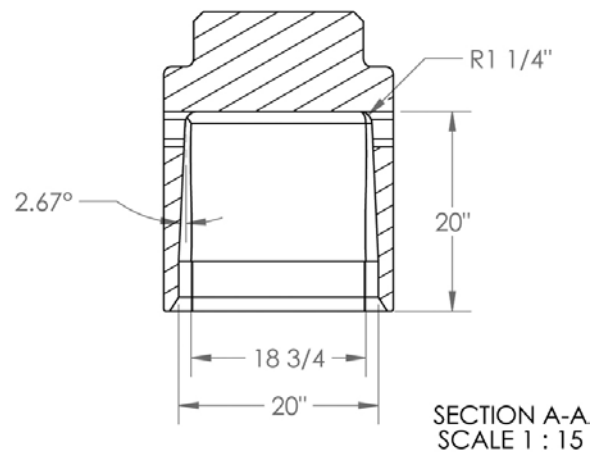
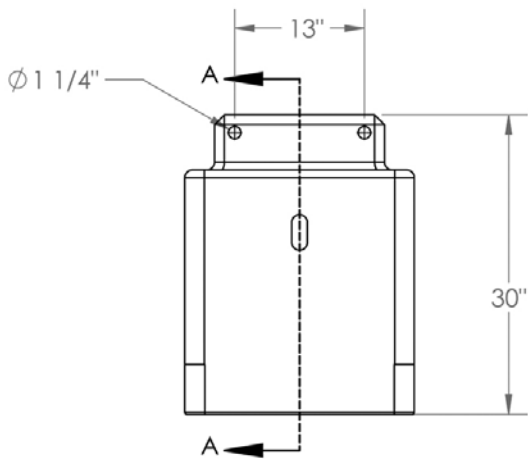
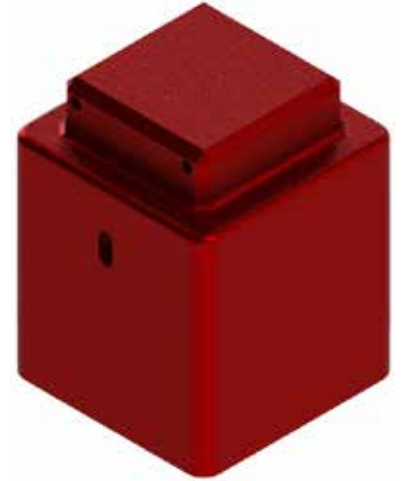
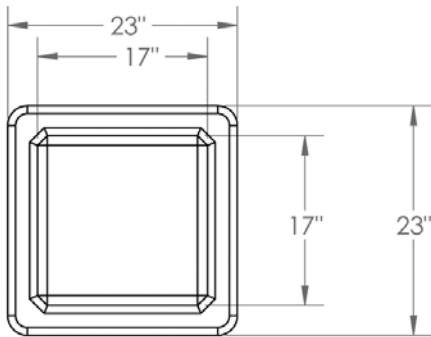
Helmet Insert 16" Square Long Helmets

Inserts For Concrete Piles		
500516-L	16" Square	1,600 lbs. <i>Approx.</i>


Helmet Insert 18" Square Helmets

Inserts For Concrete Piles		
500518	18" Square	1,715 lbs. <i>Approx</i>

Helmet Insert 18" Square Long Diagram



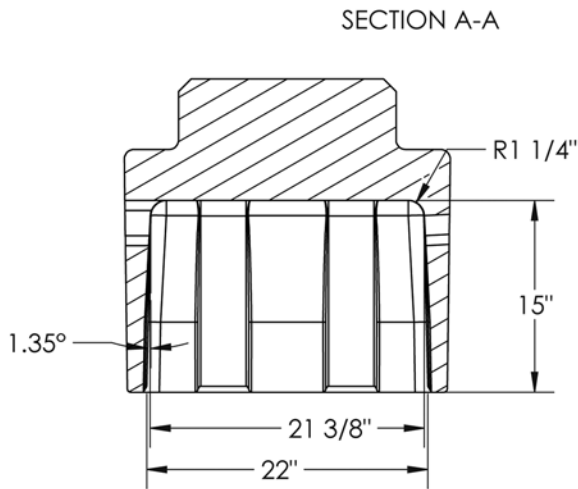
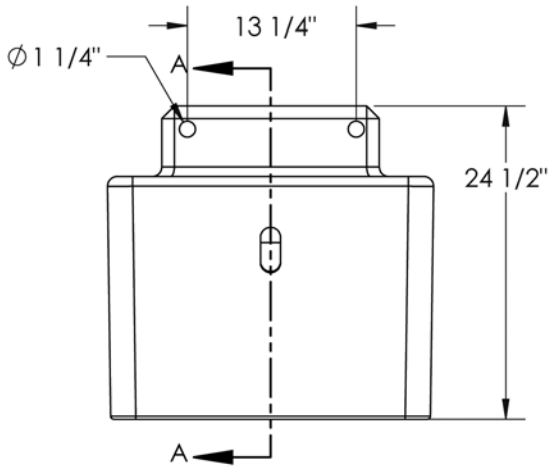
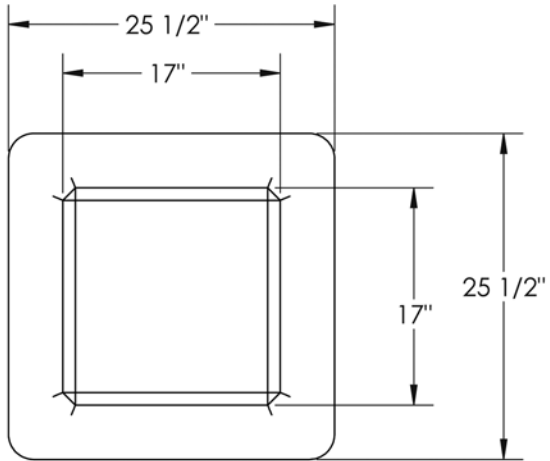
Helmet Insert 18" Square Long Helmets

Inserts For Concrete Piles

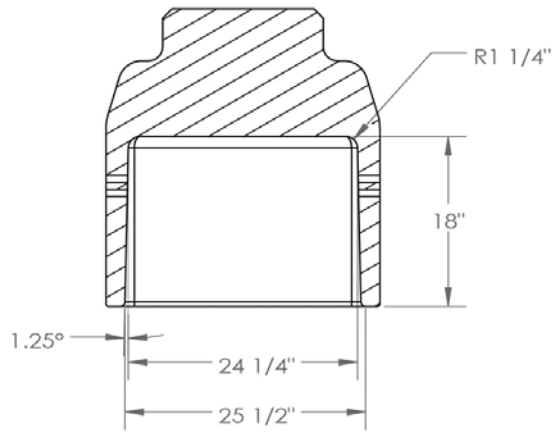
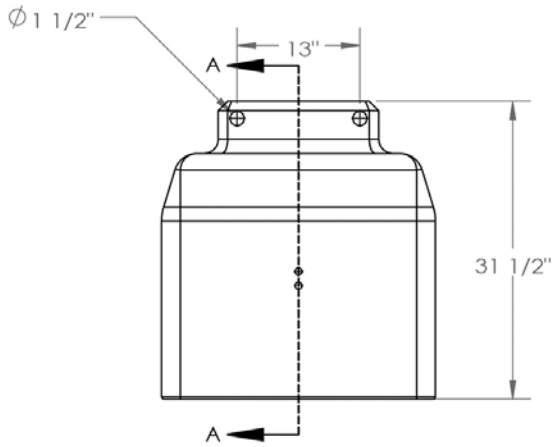
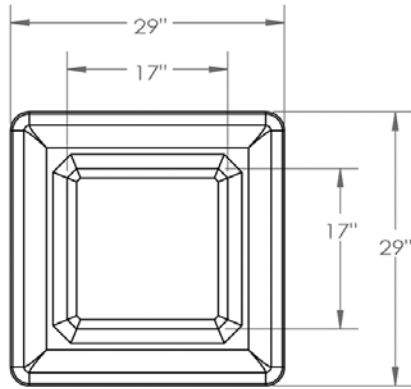
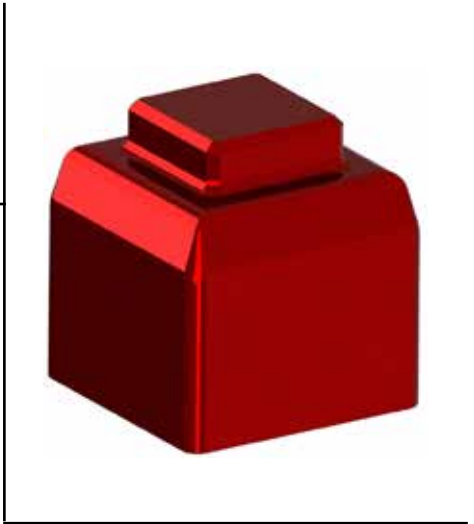
500518-L

18" Square

1,800 lbs. **Approx**


Helmet Insert 20" Square Helmets

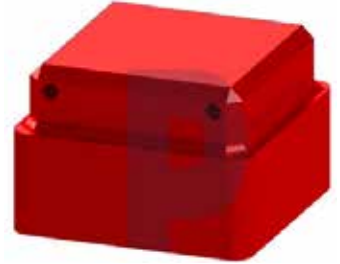
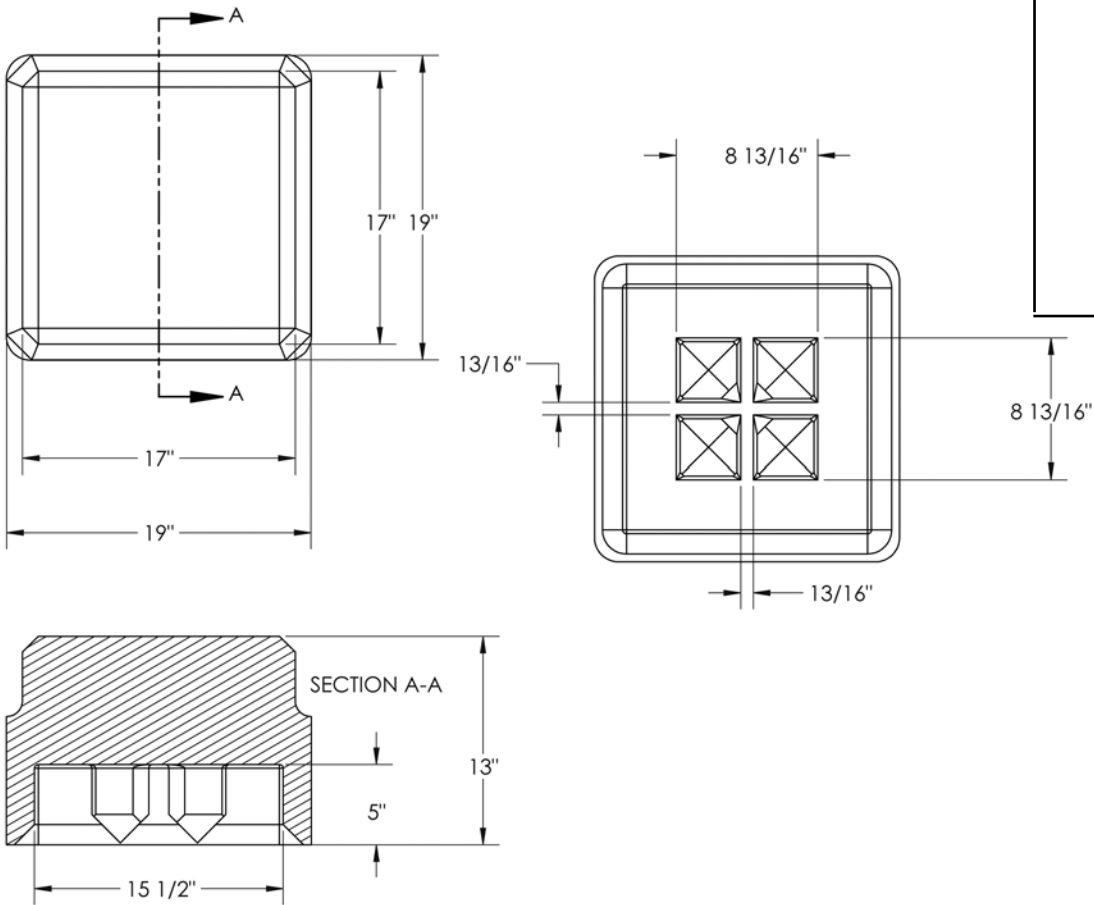
Inserts For Concrete Piles		
500520	20" Square	1,724 lbs. Approx.



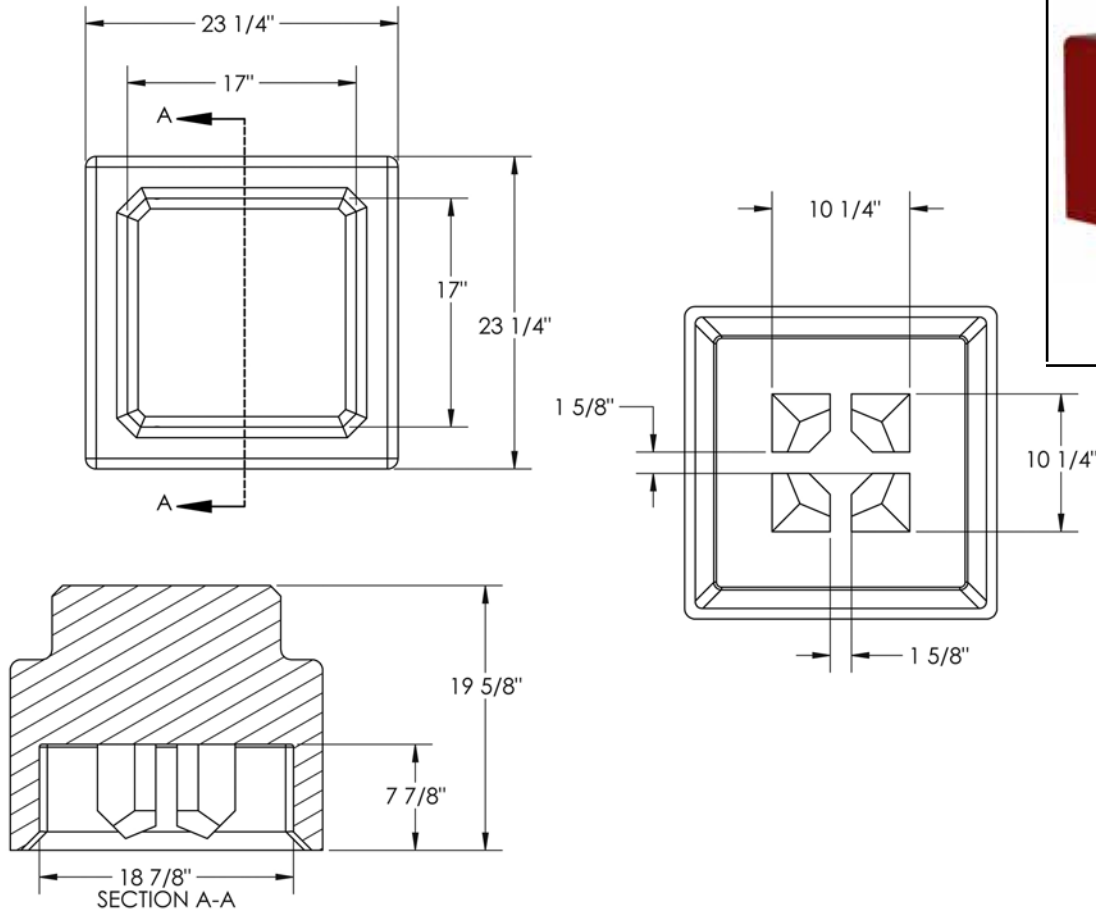
SECTION A-A
SCALE 1 : 15

Helmet Insert 24" Square Helmets

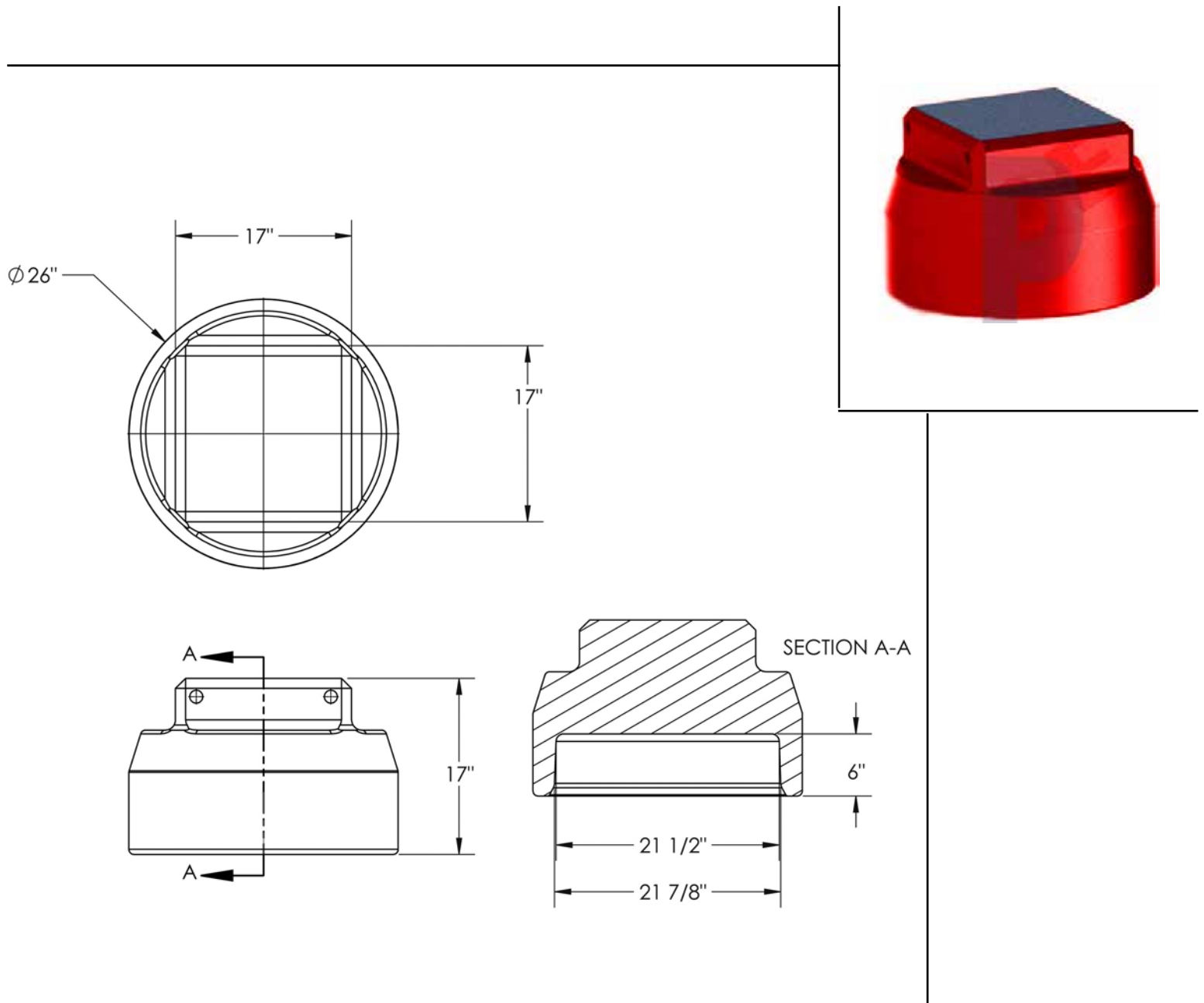
Inserts For Concrete Piles		
500524	24" Square	3,272 lbs. <i>Approx.</i>


Helmet Insert For H-Piles

Inserts For H-Piles		
500515	10", 12", 14"	890 lbs. <i>Approx.</i>

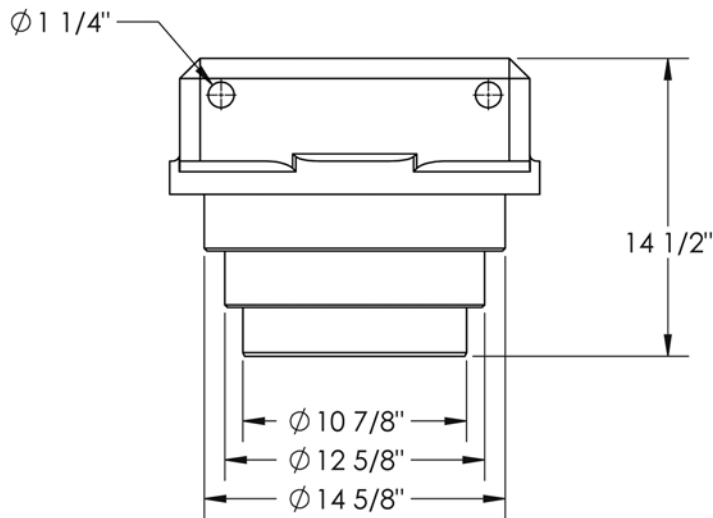
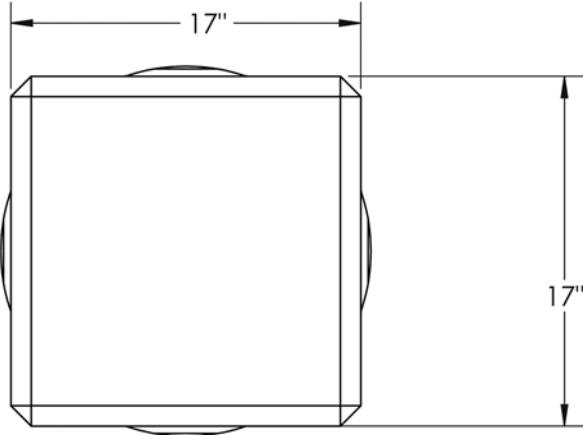

Helmet Insert For H-Piles
Inserts For H-Piles

500518-H	16", 18",	1883.78 lbs. <i>Approx.</i>
----------	-----------	-----------------------------


Helmet Insert For H-Piles

Inserts For H-Piles		
500515-AR	HANDLES 14" HP BEAM UP TO 117	1,507 lbs. <i>Approx.</i>

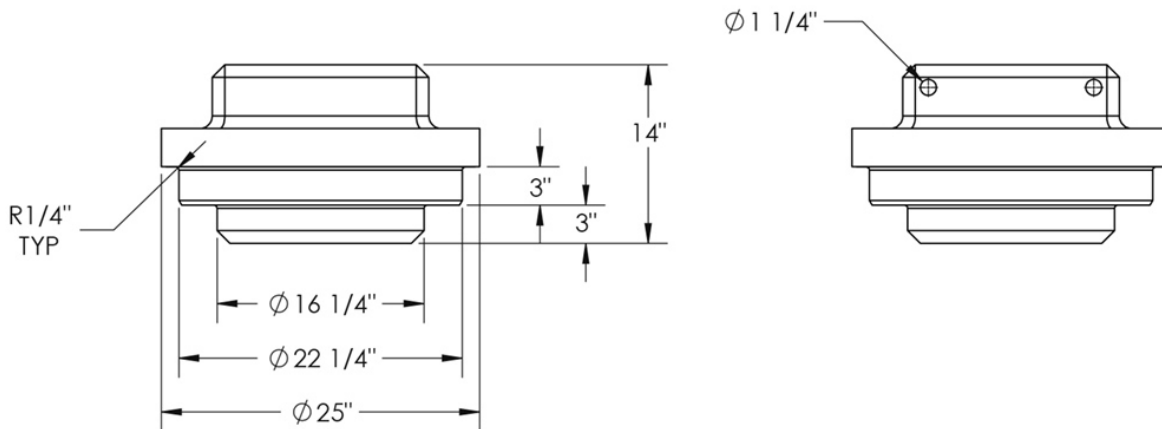
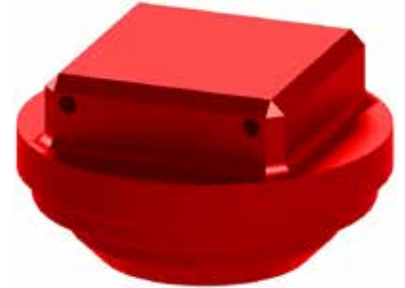
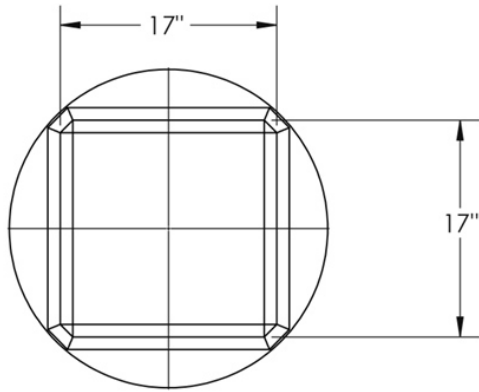
Helmet Inserts 12",14", & 16" Ø Pipe-Piles Diagram



Helmet Insert For Pipe-Piles

Inserts For Pipe-Piles		
500508-C	12",14",16" Ø	760 lbs. <i>Approx.</i>

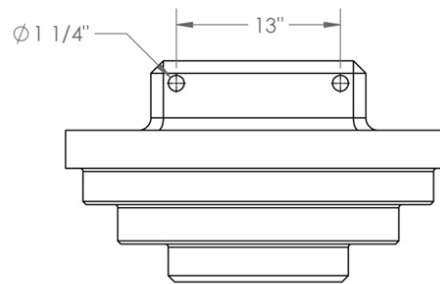
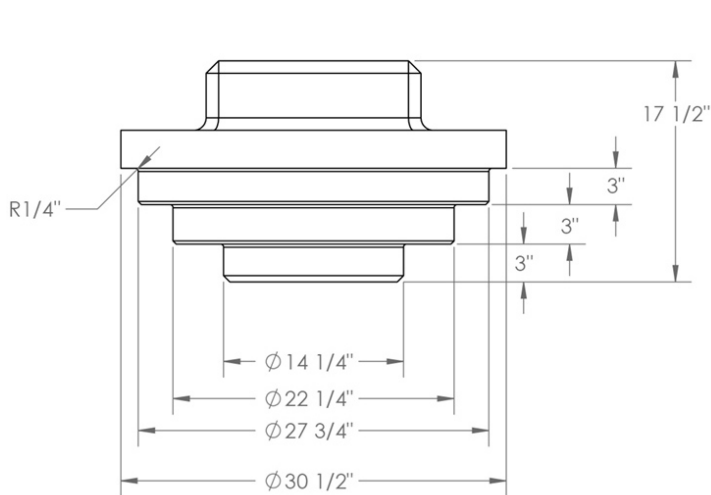
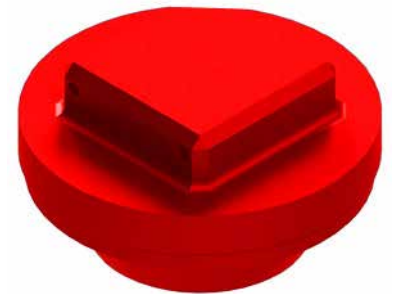
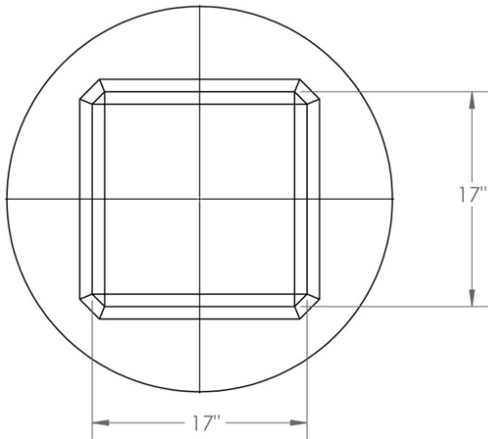
Helmet Inserts 18", & 24" Ø Pipe-Piles Diagram



Helmet Insert For Pipe-Piles

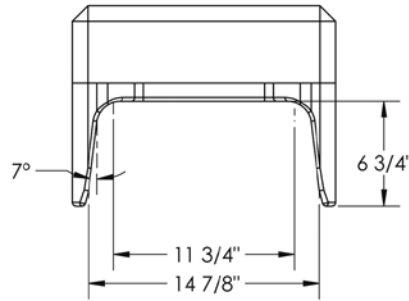
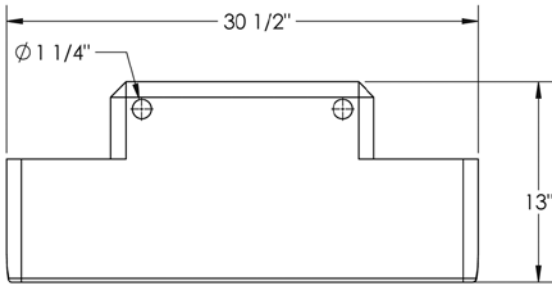
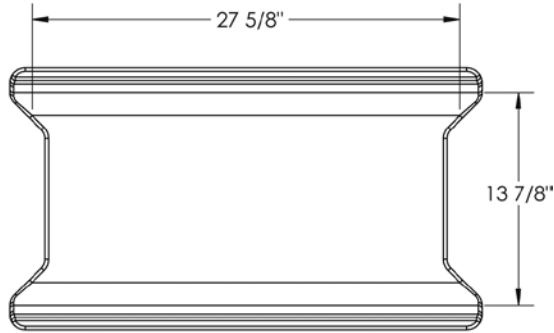
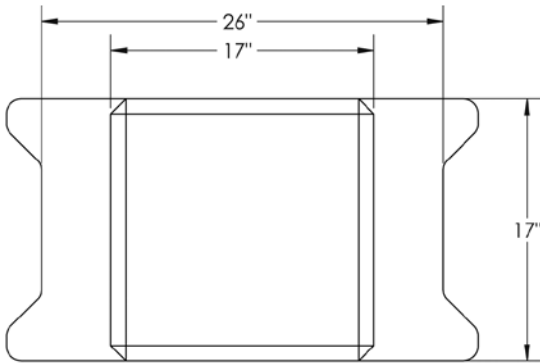
Inserts For Pipe-Piles		
500509-1	18", 24" Ø	1,380 lbs. Approx.

Helmet Inserts 16", 24", & 30" Ø Pipe-Piles Diagram



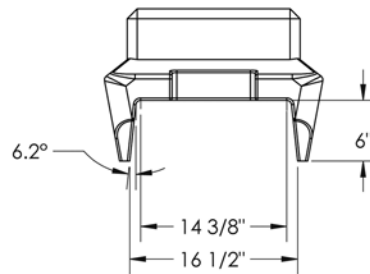
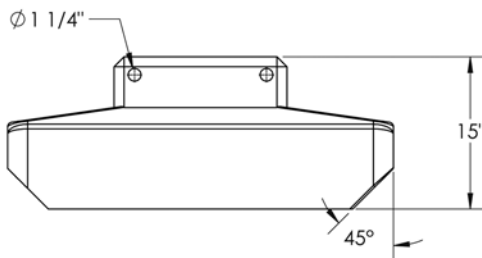
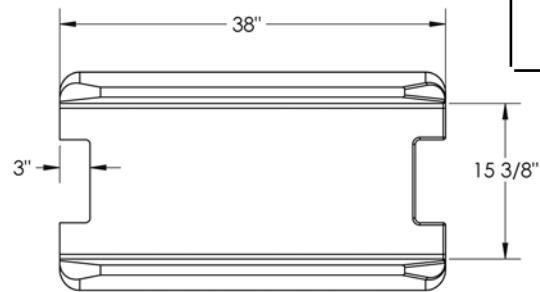
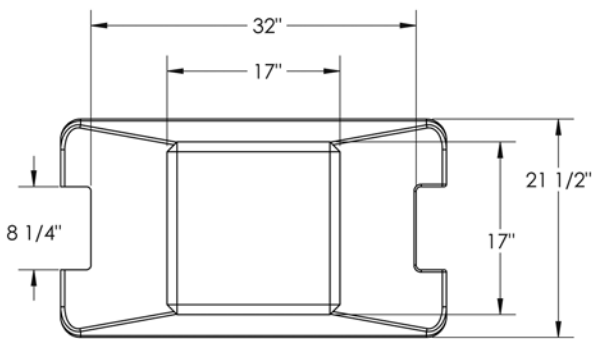
Helmet Insert For Pipe-Piles

Inserts For Pipe-Piles		
500509-2	16", 24", 30" Ø	2,210 lbs. <i>Approx.</i>


Helmet Insert Sheet Piles

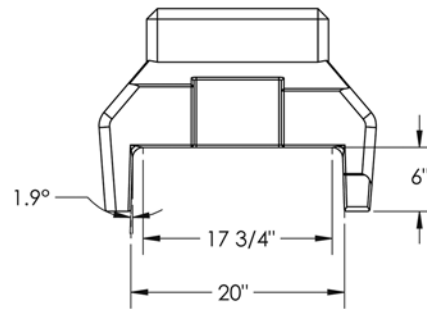
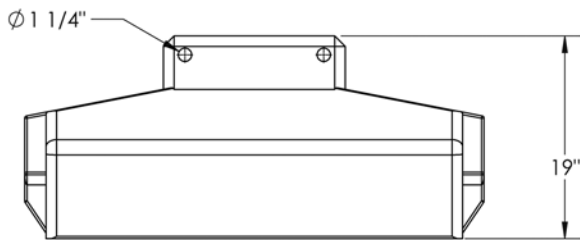
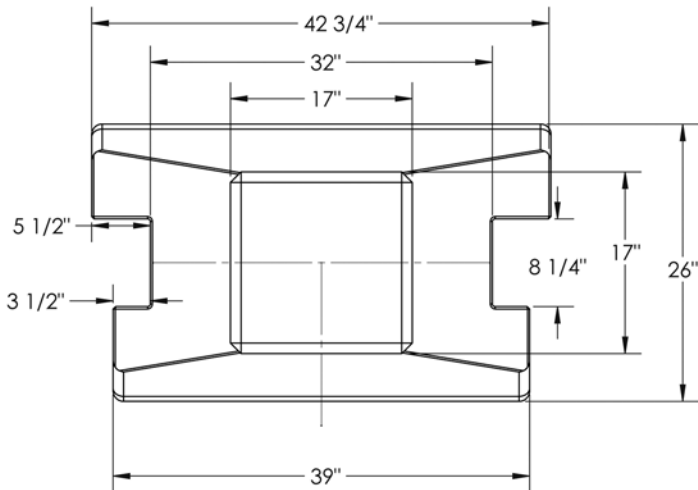
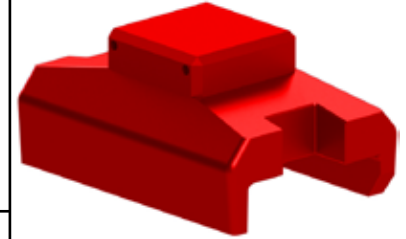
Inserts For Sheet				
#	Length	Width	min. U-lead	Weight
500513	30.5"	13.5"	26.5" x 8"	870 lbs. <i>Approx.</i>

Helmet Inserts for Sheet Piles 38" Diagram



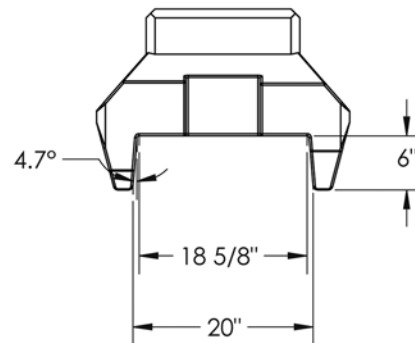
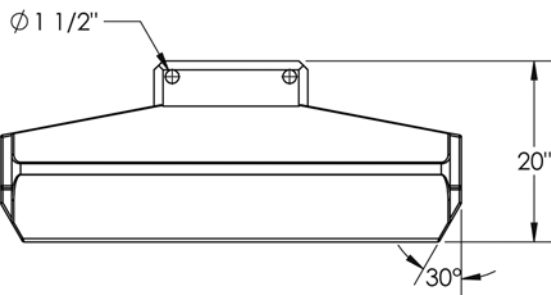
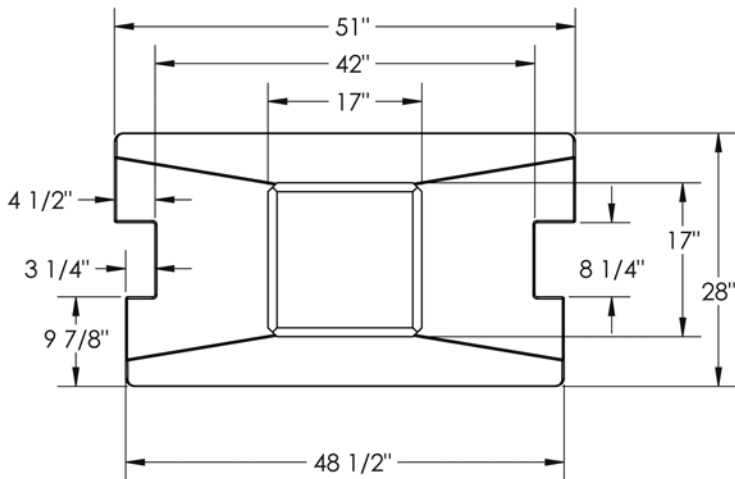
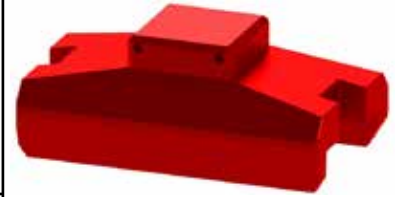
Helmet Insert Sheet Piles

Inserts For Sheet				
#	Length	Width	min. U-lead	Weight
500513-2	38"	16.5"	32.5" x 8"	1,400 lbs. Approx.


Helmet Insert Sheet Piles

Inserts For Sheet				
#	Length	Width	min. U-lead	Weight
500513-4A	43"/39"	19.6"	32.5" x 8"	2,600 lbs. Approx.

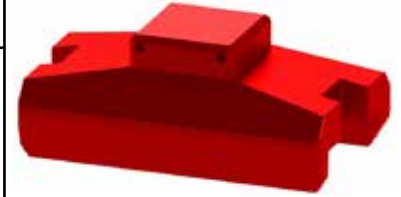
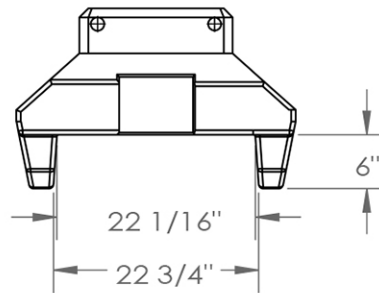
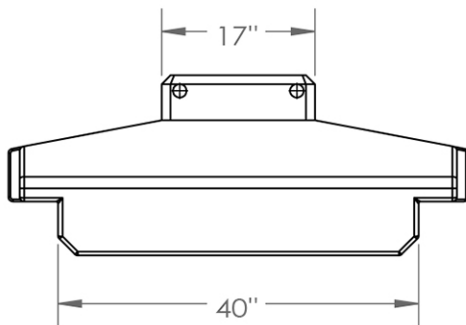
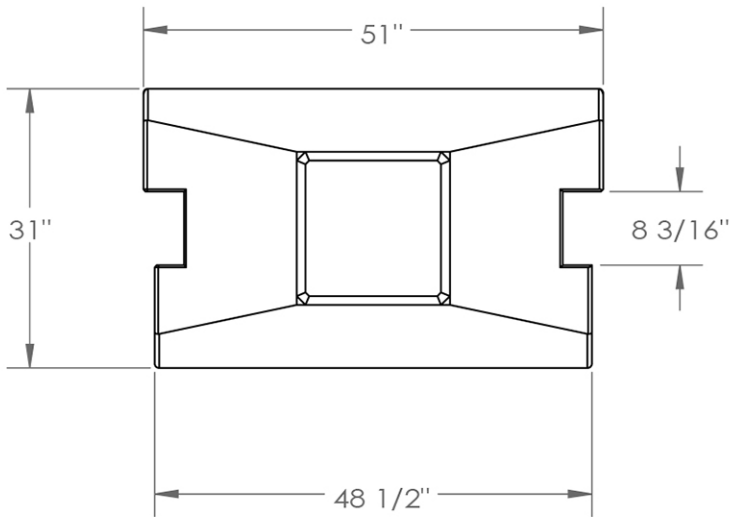
Helmet Inserts for Sheet Piles 51" Diagram



Helmet Insert Sheet Piles

Inserts For Sheet				
#	Length	Width	min. U-lead	Weight
500513-5	51"	19"	42.5" x 8"	3,600 lbs Approx.

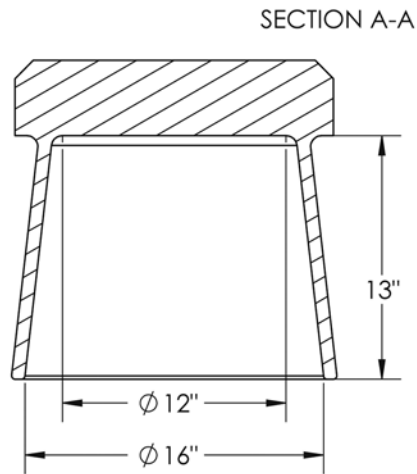
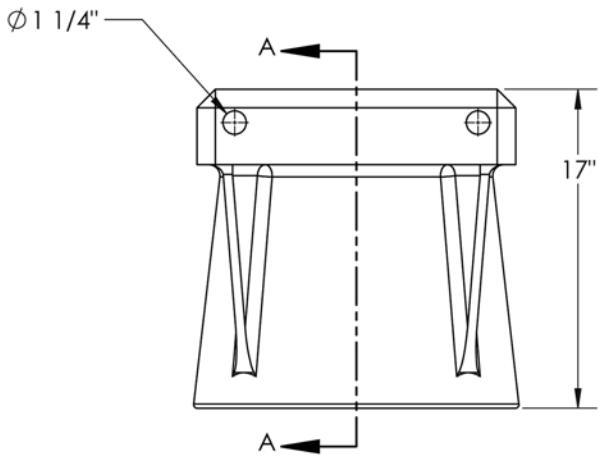
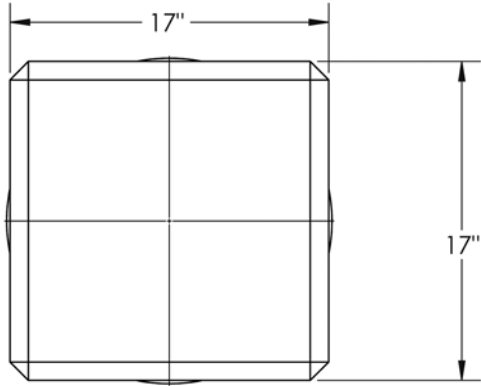
Helmet Inserts for Sheet Piles 51" x 22" Diagram



Helmet Insert Sheet Piles

Inserts For Sheet				
#	Length	Width	min. U-lead	Weight
500513-6	51"	22"	42.5" x 8"	3,800 lbs Approx.

Helmet Inserts Timber Piles Diagram

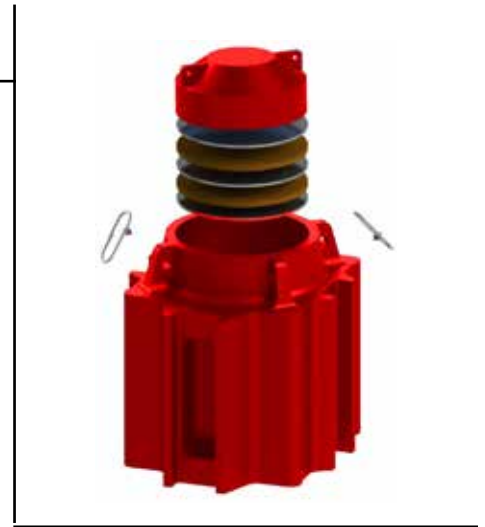
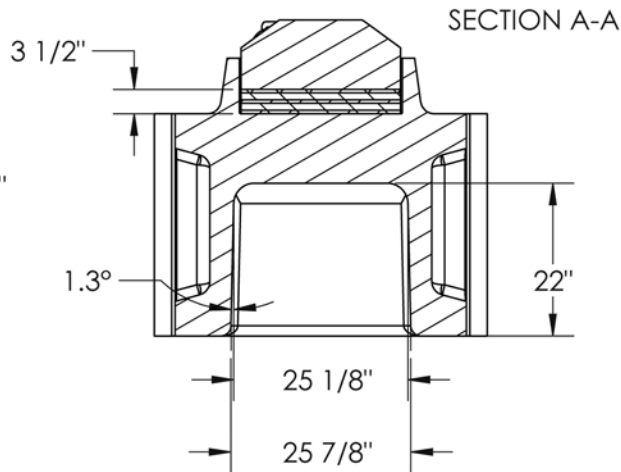
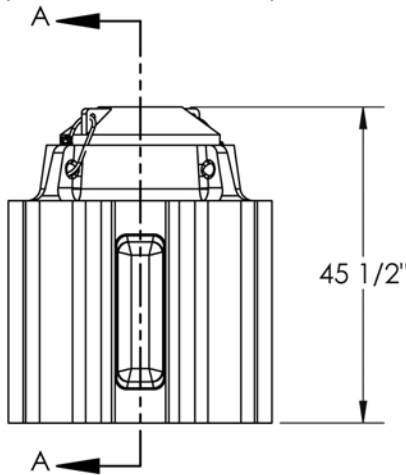
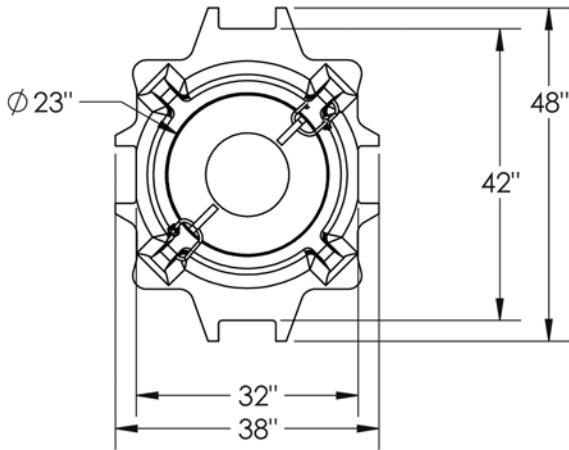


Helmet Insert For Timber Piles


Inserts For Timber		
500506	up to 12" Ø	560 lbs. <i>Approx.</i>

Square Concrete Helmets

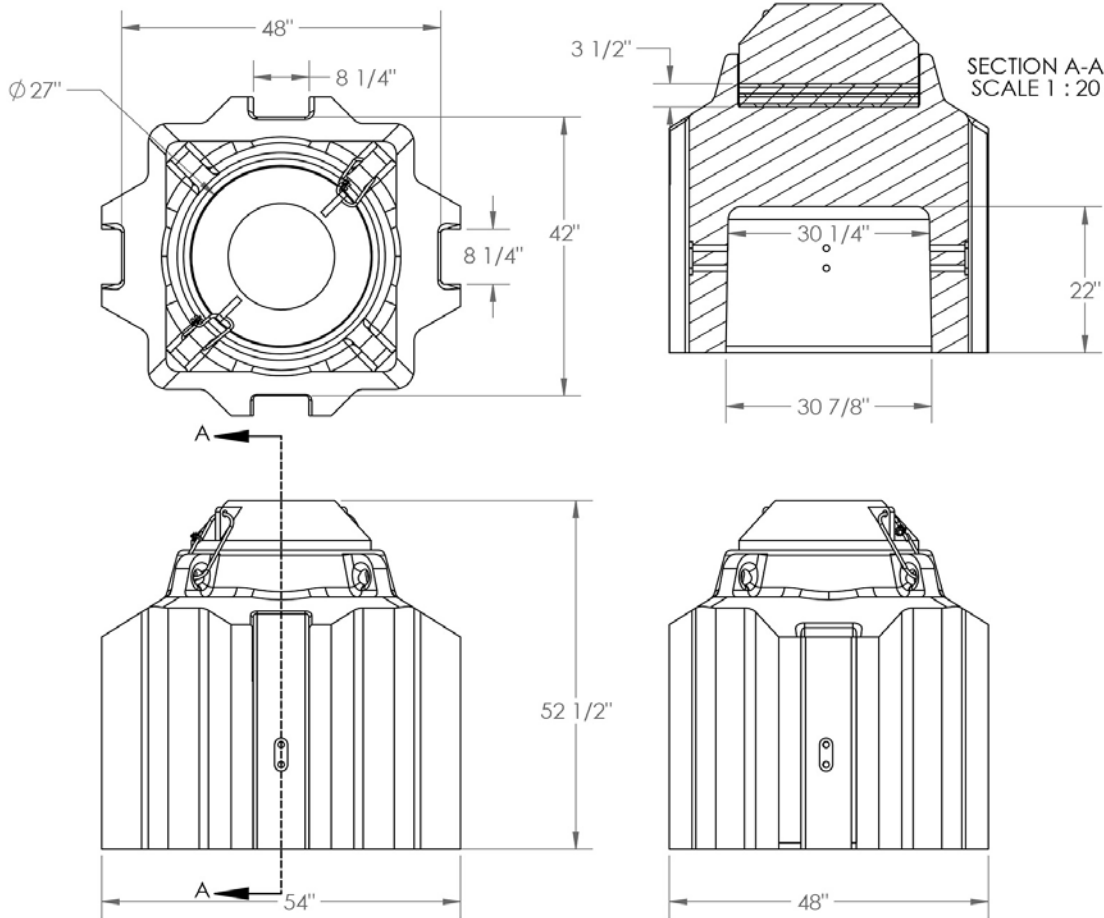
P-510 Concrete Helmet 24" sq. Assembly & Diagram




P-510 24" CONCRETE HELMET ASSEMBLY

	#	Assembly	Qty	Weight lbs. approx.	Accessories
	500024-B	24"sq Concrete Helmet	1	7,099 lbs	(8005537) 1/2" x 16" to 20" 6x36 IWRC steel cable(2 ea)
	500315	striker plate 23" X 10"	1	974	(8001749) 7/16"-1/2" cable clamp crosby G-450 (2 ea)
	500159	aluminium cushion 23" x 1/2"	3	63 (for 3)	
	500109	phenolic cushion 23" x 1"	2	56 (for 2)	
Square Pile Size: 24" U-Lead Guiding: 32.5"x 8",42.5"x 8"			Total weight approx. = 8,192 lbs		

P-511 HD Concrete Helmet 30" sq. Assembly & Diagram



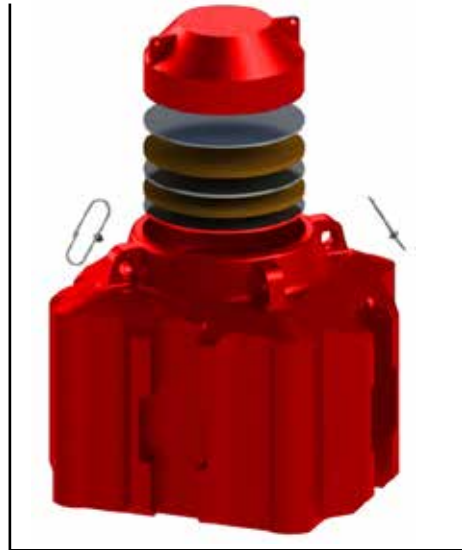
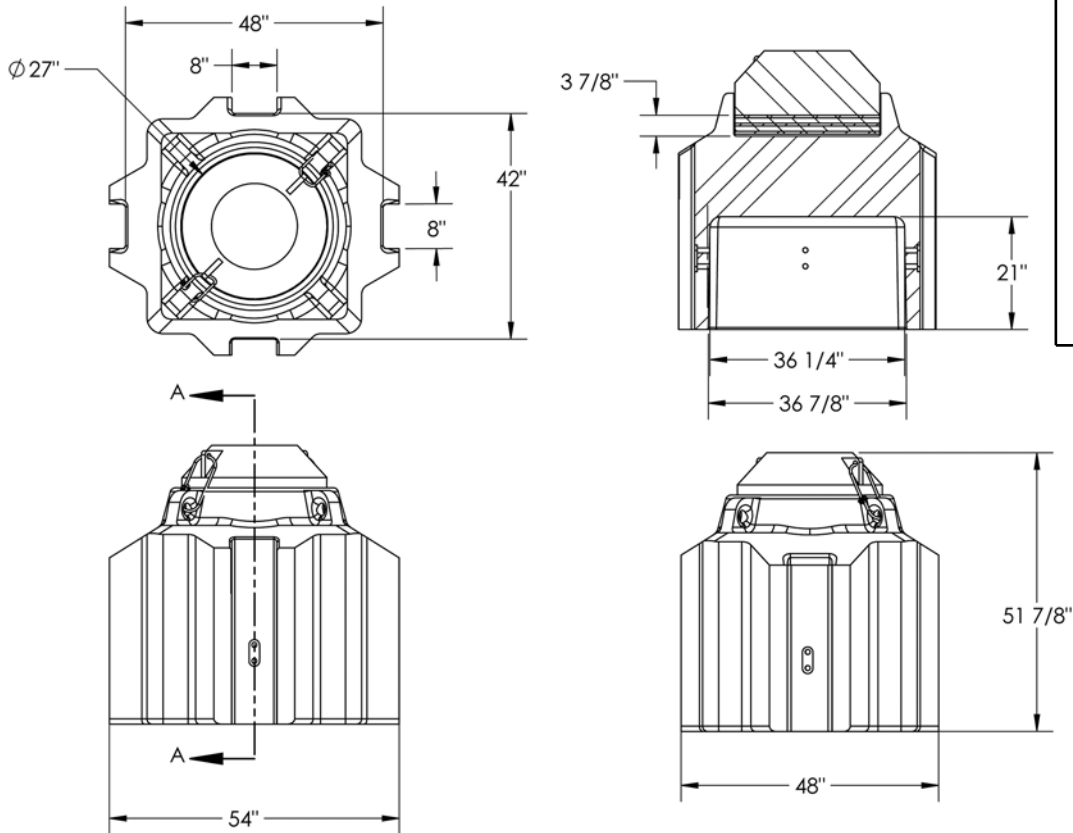
P-511HD 30" CONCRETE HELMET ASSEMBLY

	#	Assembly	Qty.	Weight lbs. Approx.	Accessories
	500030-D HD	30" sq Concrete Helmet (heavy duty)	1	14,440	(8005537) 1/2" x 16" to 20" 6x36 IWRC steel cable(2 ea)
	500330	striker plate, Ø 27" x 12"	1	1,532	(8001749) 7/16"-1/2" cable clamp crosby G-450 (2 ea)
	500160	aluminium cushion Ø 27" x 1/2"	3	84 (for 3)	
	500110	phenolic cushion, Ø 27" x 1"	2	76 (for 2)	


Square Pile Size: 30" U-Lead Guiding: 42.5" x 8", 48.5" x 8"

Total weight approx. = 16,132 lbs

P-512 HD Concrete Helmet 36" sq. Assembly & Diagram



P-512HD 36" CONCRETE HELMET ASSEMBLY

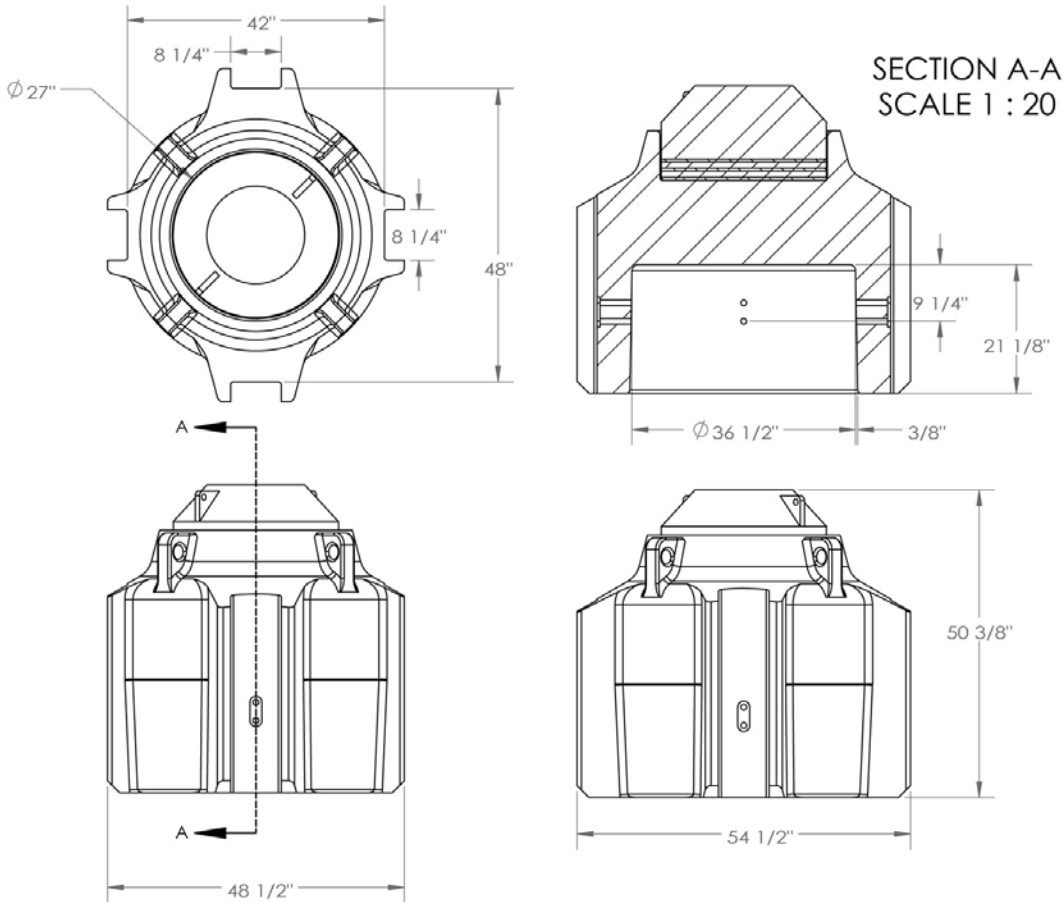
	#	Assembly	Qty.	Weight lbs. Approx.	Accessories
	500036-D HD	36" sq Concrete Helmet (heavy duty)	1	14,529	(8005537) 1/2" x 16" to 20" 6x36 IWRC steel cable(2 ea)
	500330	striker plate, Ø 27" x 12"	1	1,532	(8001749) 7/16"-1/2" cable clamp crosby G-450 (2 ea)
	500160	aluminium cushion, Ø 27" x 1/2"	3	84 (for 3)	
	500110	phenolic cushion, Ø 27" x 1"	2	76 (for 2)	

Square Pile Size: 36" U-Lead Guiding: 42.5" x 8", 48.5" x 8"


Total weight approx. = 16,221 lbs

Concrete Cylinder Pile Helmets

P-531 36" Concrete Cylinder Helmet Assembly & Diagram



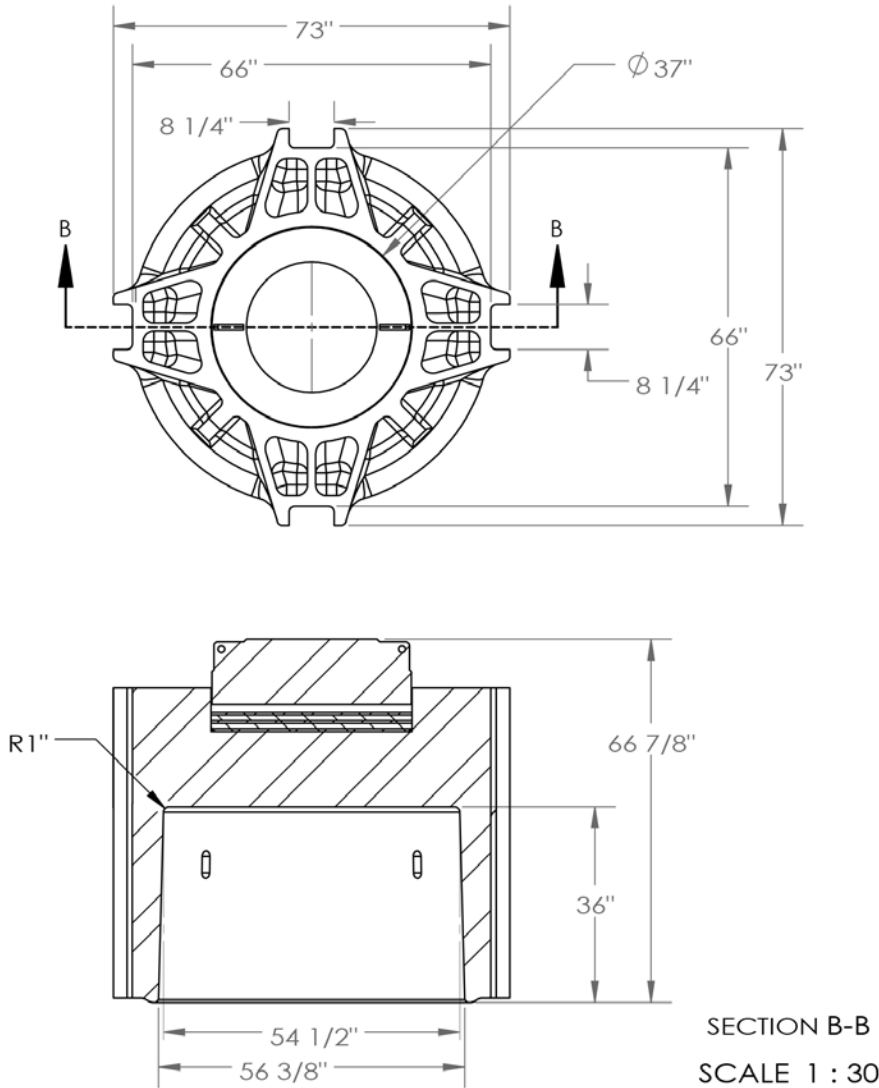
P-531 36" CONCRETE CYLINDER HELMET ASSEMBLY

	#	Assembly	Qty.	Weight lbs. Approx.	Accessories
	410467	36" Concrete Cylinder Pile Helmet	1	10,127	(8005537) 1/2" x 16" to 20" 6x36 IWRC steel cable(2 ea)
500330	striker plate, Ø 27" X 12"	1	1,532	(8001749) 7/16"-1/2" cable clamp crosby G-450 (2 ea)	
500160	aluminium cushion, Ø 27" X 1/2"	3	84(for 3)		
500110	phenolic cushion, Ø 27" X 1"	2	76 (for 2)		
				Total approx: 11,819 lbs	


Concrete Cylinder Pile Size: 36"

U-Lead Size: 42.5" x 8", 48.5" x 8"

P-519 54" Offshore Concrete Cylinder Assembly & Diagram



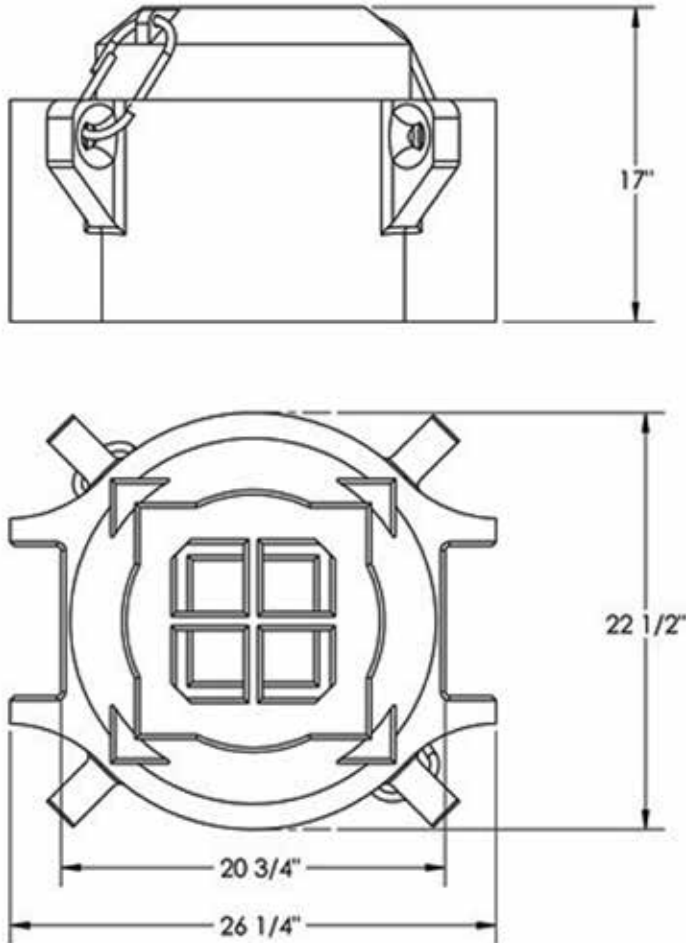
P-519 54" CONCRETE CYLINDER (SOLID CAP) HELMET ASSEMBLY


	#	Assembly	Qty.	Weights lbs. Approx.	Accessories
	25081-B	54" Concrete Cylinder Solid Cap	1	26,017	(8005537) 1/2" x 16" to 20" 6x36 IWRC steel cable(2 ea)
	500335	striker plate, Ø 37" x 12"	1	3,080	(8001749) 7/16" - 1/2" cable clamp crosby G-450 (2 ea)
	500165	aluminium cushion, Ø 37" x 1/2"	3	159 (for 3)	
	500115	phenolic cushion, Ø 37" x 1"	2	142 (for 2)	
				Total approx:: 29,398 lbs	

Concrete Cylinder Pile Size: 54"

U-Lead Size: 66.5" x 8"

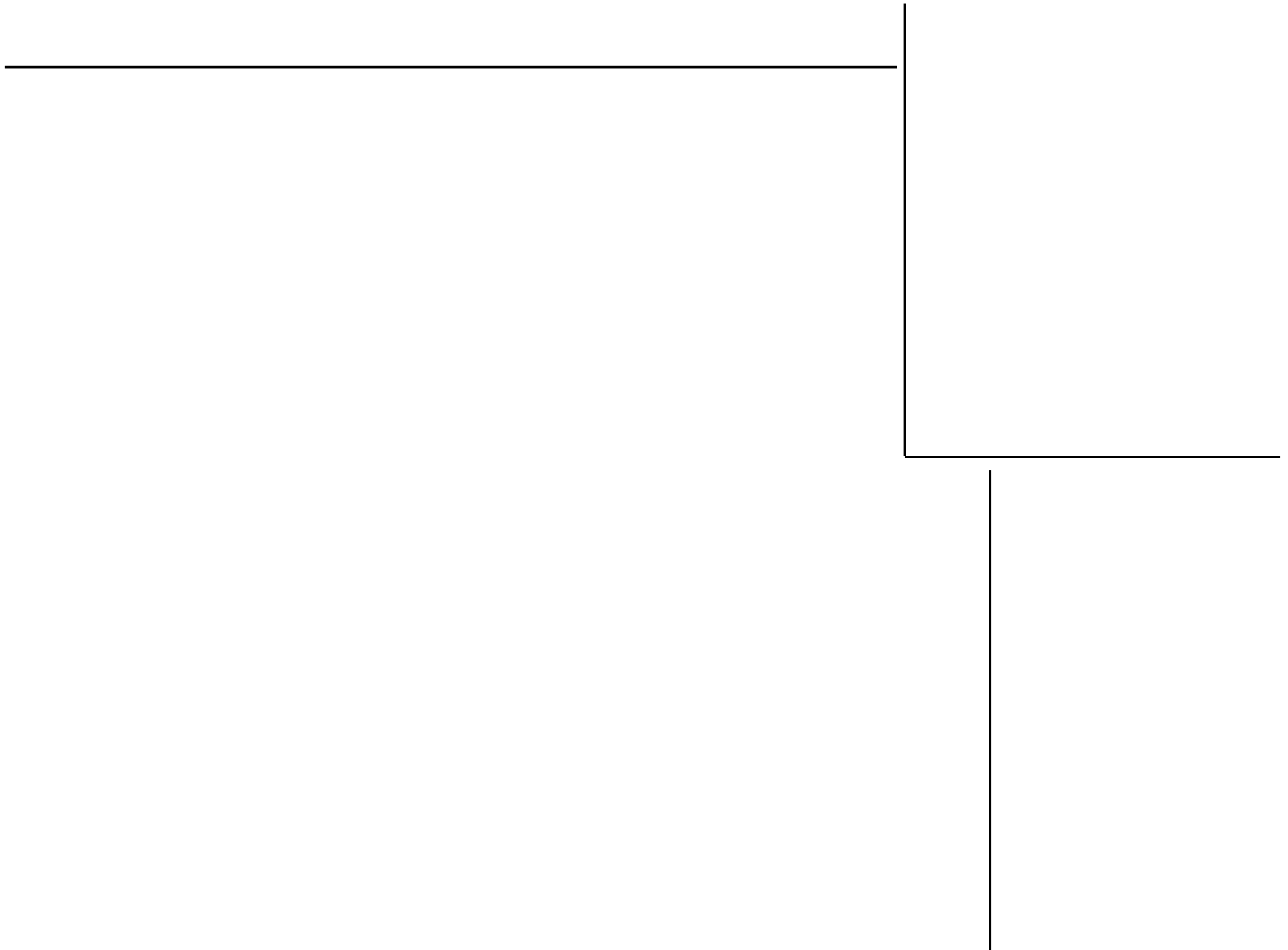
Universal Helmets



P-513 21" UNIVERSAL HELMET ASSEMBLY

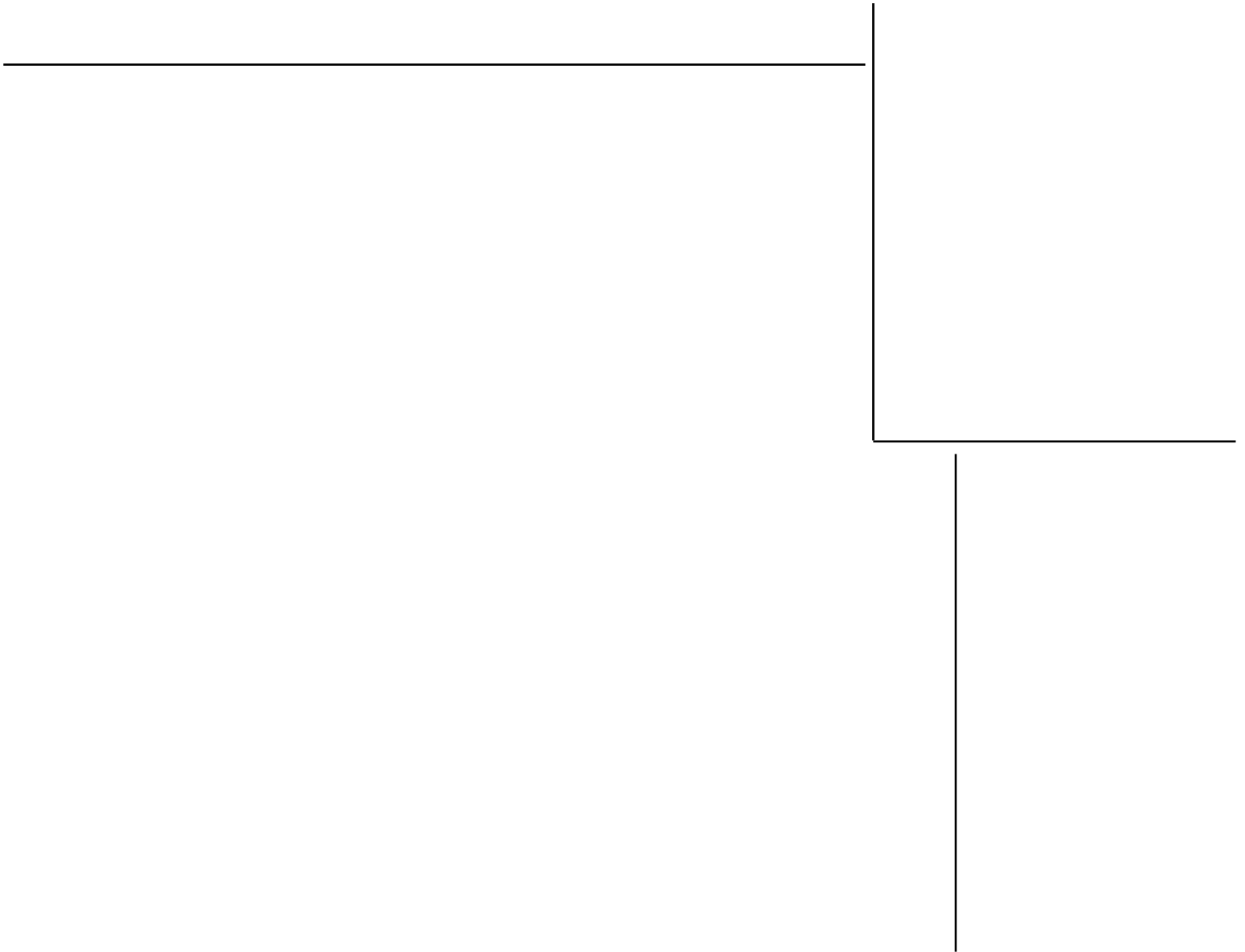
	#	Assembly	Qty	Weight lbs. approx.	Accessories
	500000	21" Universal Helmet	1	904	(8005537) 1/2" x 16" to 20" 6x36 IWRC steel cable(2 ea)
	500307	striker plate, Ø 17"x 6"	1	330	(8001749) 7/16"-1/2" cable clamp crosby G-450 (2 ea)
	500157	aluminium cushion, Ø 17" x 1/2"	2	22 (for 2)	
	500107	phenolic cushion, Ø 17" x 1"	1	12	Total approx. : 1,268 lbs


Pile Type: Steel beams: 8", 10", 12" Steel Pipe Ø: 10", 12", 14" **U-Lead Guiding:** 21" x 8"

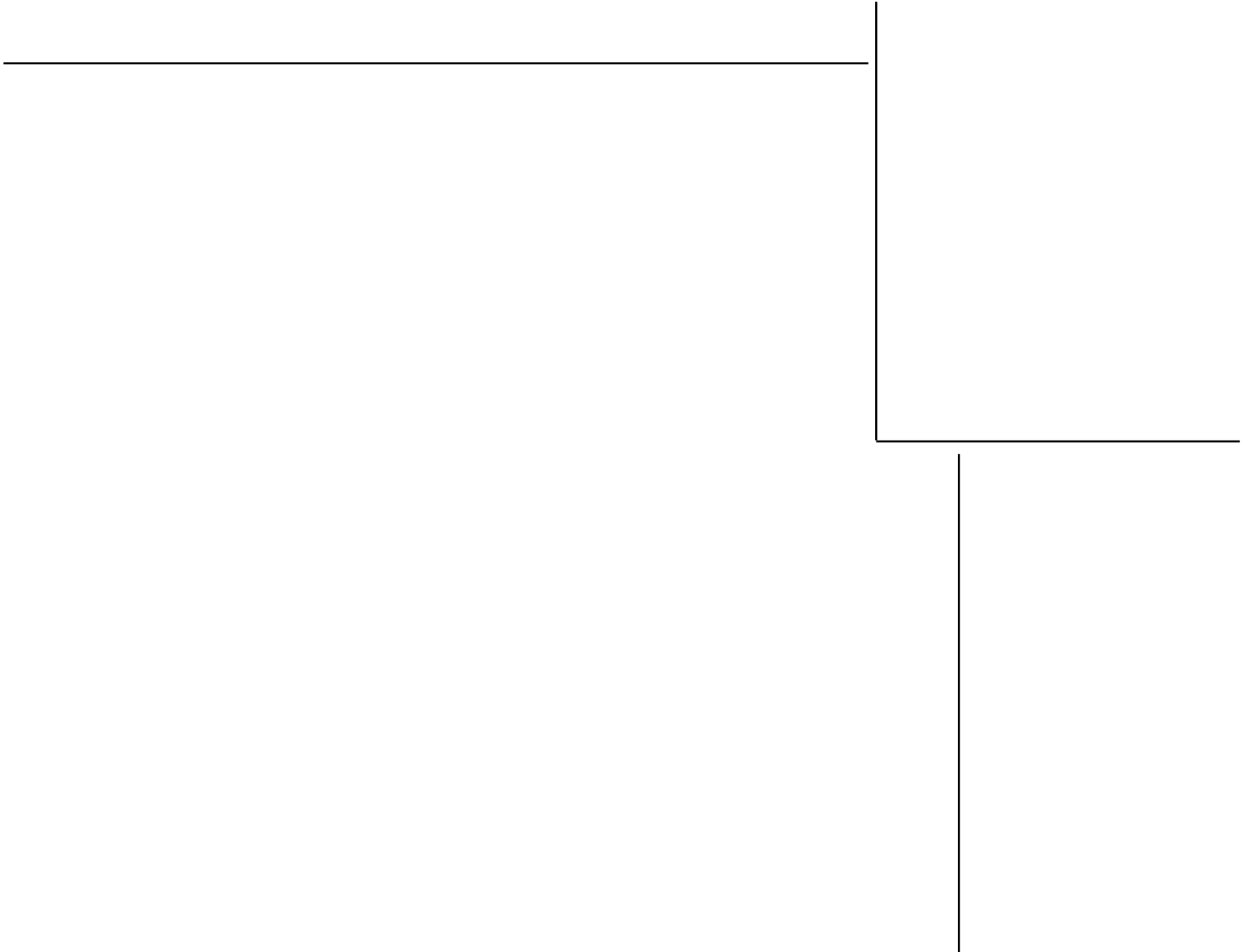
EU Helmets




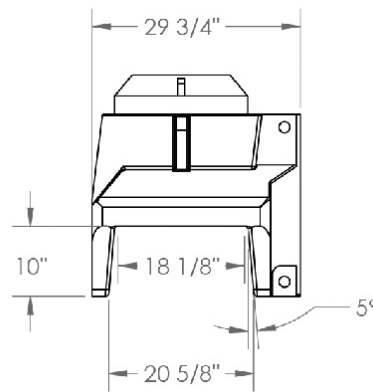
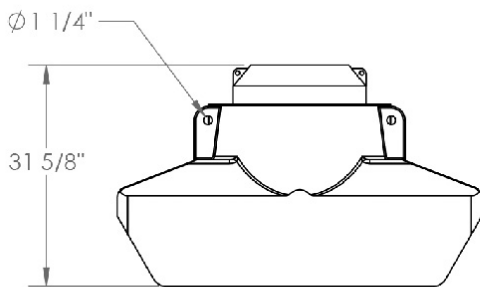
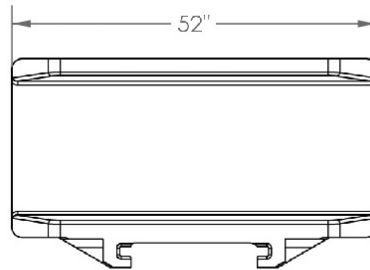
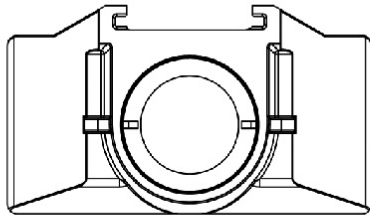
P-505					
	#	Assembly	Qty	Weight lbs. approx.	Accessories
	500013	Sheet Pile Helmet	1	1,360	(8005537) 1/2" x 16" to 20" 6x36 IWRC steel cable(2 ea)
	500302	striker plate, sq 13"x6"	1	285	(8001749) 7/16"-1/2" cable clamp crosby G-450 (2 ea)
	500151	aluminium cushion sq 13"x1/2"	3	33 (for 3)	(41981) clip 1-1/4" (1 ea)
	500101	phenolic cushion sq 13"x1"	2	24 (for 2)	(41766) special clamp (1 ea)
Pile Size: 30.5"x 13.25", Sheet Piles, using Diesel Hammer up to D19-42				Total Weight: 1,702 approx.	

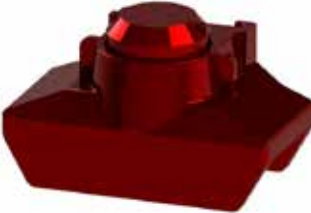


P-524					
	#	Assembly	Qty	Weight lbs approx.	Accessories
	500013 HD1	Sheet Pile Helmet	1	1,900	(8005537) 1/2" x 16" to 20" 6x36 IWRC steel cable(2 ea)
	500300	Striker plate, Ø 13"x4"	1	119	(8001749) 7/16"-1/2" cable clamp crosby G-450 (2 ea)
	500172	aluminium cushion Ø 13"x1/2"	3	33 (for 3)	(41980) clip 1-1/4" (1 ea)
	500122	phenolic cushion Ø 13"x1"	2	24 (for 2)	(41949) special clamp (1 ea)
Pile Size: 30" x 12.5", Sheet Piles, using Diesel Hammer larger then D19-42 Total Weight: 2,076 approx.					

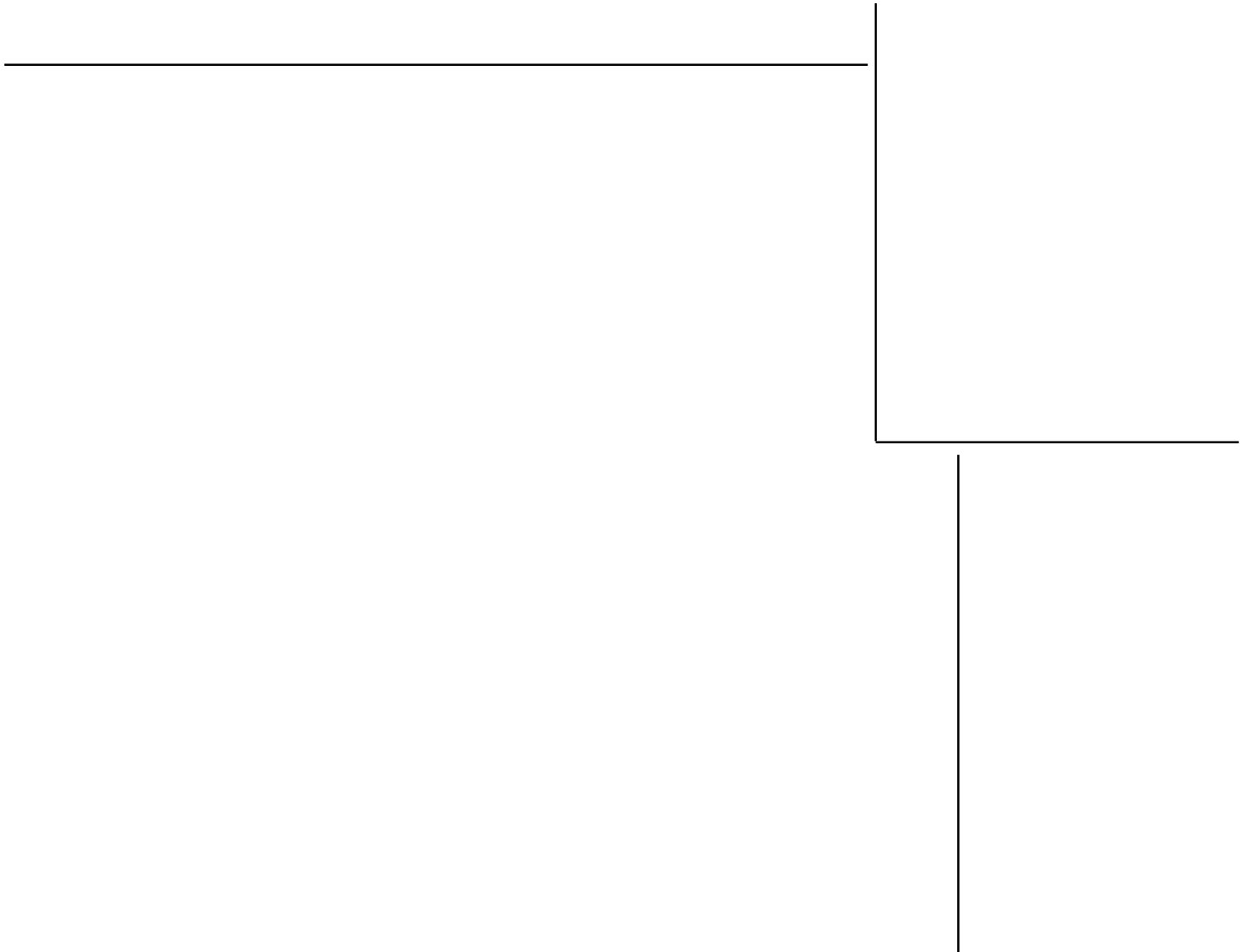



P-525					
	#	Assembly	Qty	Weight lbs. approx.	Accessories
	500013 HD2	Sheet Pile Helmet	1	3,280	(8005537) 1/2" x 16" to 20" 6x36 IWRC steel cable(2 ea)
	500307	striker plate, Ø 17"x6"	1	330	(8001749) 7/16"-1/2" cable clamp crosby G-450 (2 ea)
	500157	aluminium cushion Ø 17"x1/2"	3	33 (for 3)	(41980) clip 1-1/4" (1 ea)
	500107	phenolic cushion Ø 17"x1"	2	24 (for 2)	(41949) special clamp (1 ea)
Pile Size: 38" x 14.5", Sheet Piles, using Diesel Hammer larger then D19-42 Total Weight: 3,667 approx.					

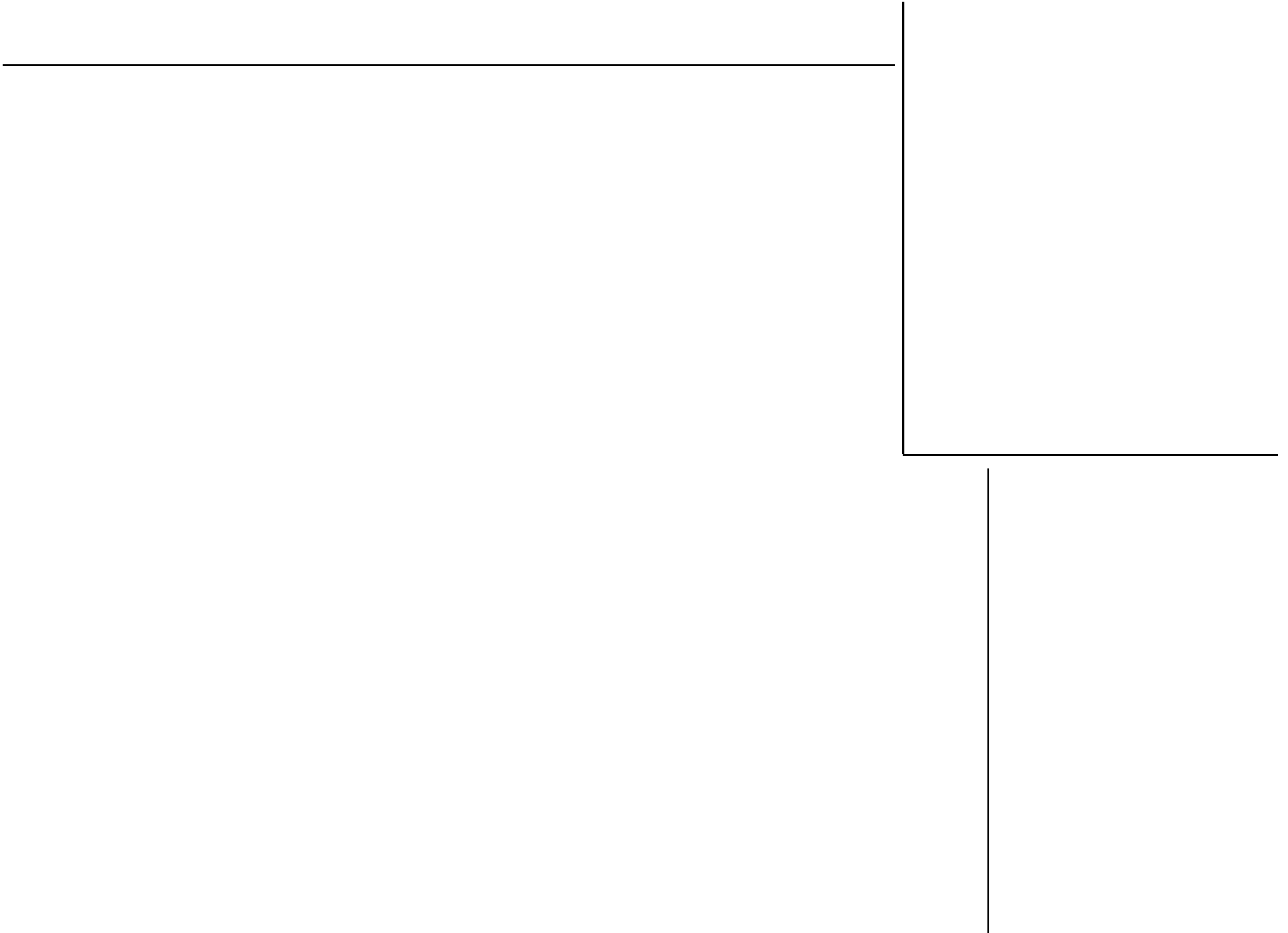

P-526


	#	Assembly	Qty	Weight lbs. approx.	Accessories
	500013-HD5	Sheet Pile Helmet	1	4,380	(8005537) 1/2" x 16" to 20" 6x36 IWRC steel cable(2 ea)
	500308-HD	striker plate, Ø 19"x7"	1	507	(8001749) 7/16"-1/2" cable clamp crosby G-450 (2 ea)
	500158	aluminium cushion Ø 19"x1 1/2"	3	42 (for 3)	(41980) clip 1-1/4" (1 ea)
	500108	phenolic cushion Ø 19"x1"	2	38 (for 2)	(41949) special clamp (1 ea)

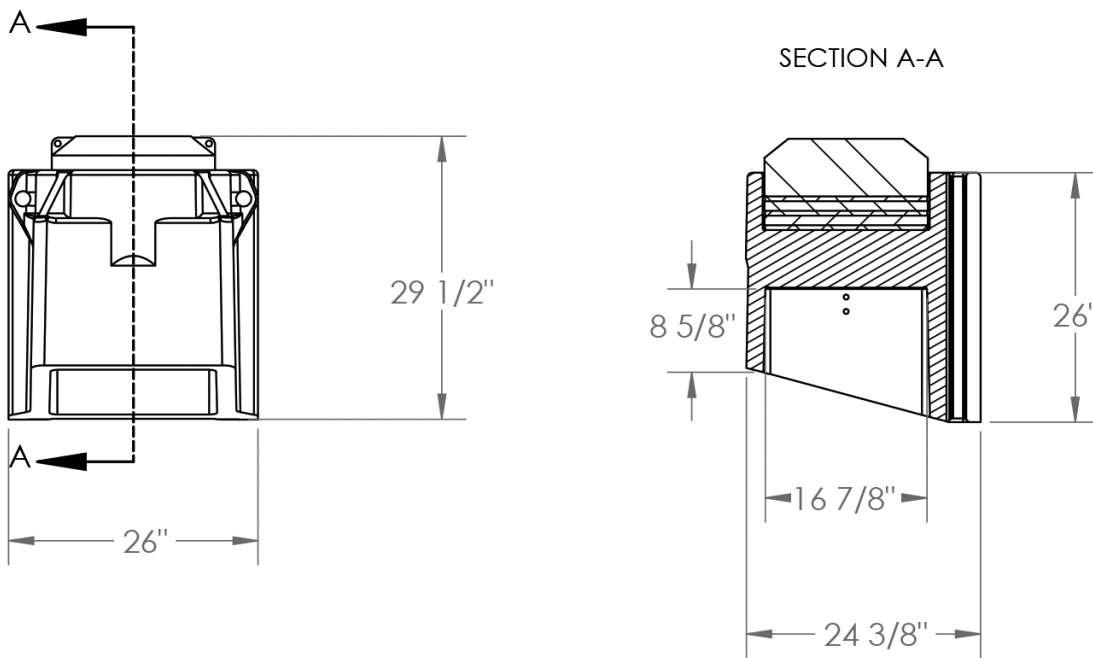
Pile Size: 52" x 19", Sheet Piles, using Diesel Hammer larger then D19-42 Total Weight: 4,967 approx.




P-520					
	#	Assembly	Qty.	Weight lbs approx	Accessories
	500012-HD	12" Square Concrete Helmet	1	1250	(8005537) 1/2" x 16" to 20" 6x36 IWRC steel cable (2 ea)
	500300	striker plate, Ø 13" x 4"	1	119	(8001749) 7/16"-1/2" cable clamp crosby G-450 (2 ea)
	500172	aluminium cushion Ø 13" x 1 1/2"	3	33 (for 3)	(41980) clip 1-1/4" (1 ea)
	500122	phenolic cushion Ø 13" x 1"	2	24 (for 2)	(41949) special clamp (1 ea)
<p>Pile Size: sq. 12", Concrete Piles, Pipe Piles, and H-beams, using Diesel Hammer larger then D19-42 Total Weight: 1,426 approx.</p>					

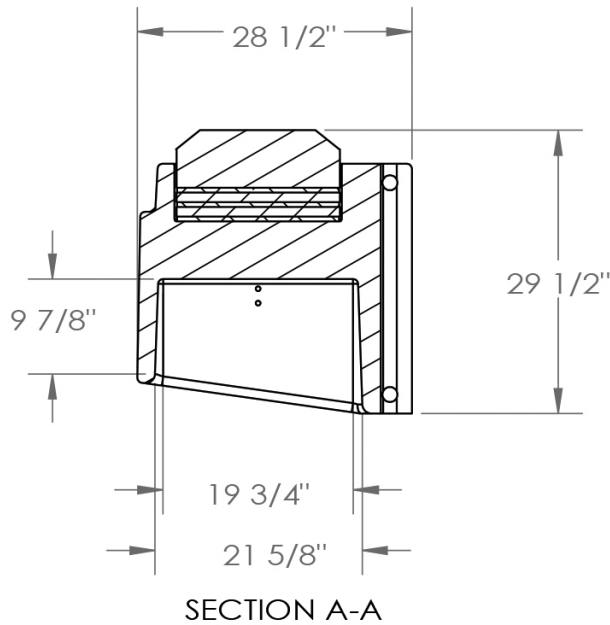
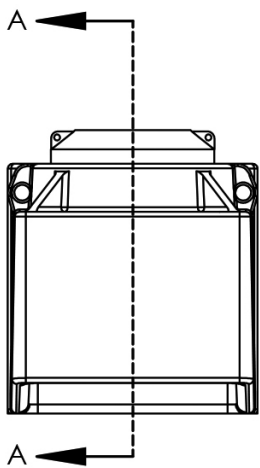
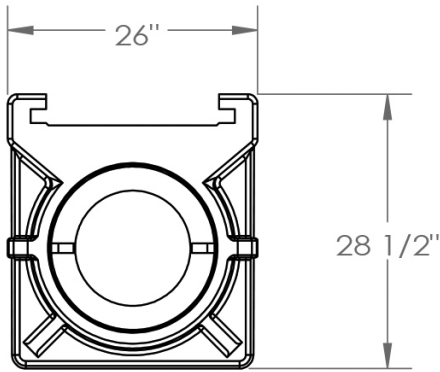



P-521					
	#	Assembly	Qty.	Weight lbs approx	Accessories
	500014 HD	14" Square Concrete Helmet	1	1400	(8005537) 1/2" x 16" to 20" 6x36 IWRC steel cable(2 ea)
	500300	striker plate, Ø 13" x 4"	1	119	(8001749) 7/16" -1/2" cable clamp crosby G-450 (2 ea)
	500172	aluminium cushion Ø 13" x 1/2"	3	33 (for 3)	(41980) clip 1-1/4" (1 ea)
	500122	phenolic cushion Ø 13" x 1"	2	24 (for 2)	(41949) special clamp (1 ea)
<p>Pile Size: square 14", Concrete Piles, Pipe Piles, and H-beams, using Diesel Hammer larger then D19-42 Total Weight: 1,576 approx.</p>					


P-522

	#	Assembly	Qty	Weight lbs. approx.	Accessories
	500016 HD	16" Square Concrete Helmet	1	1,700	(8005537) 1/2" x 16" to 20" 6x36 IWRC steel cable(2 ea)
	500307	striker plate, Ø17"x6"	1	330	(8001749) 7/16"-1/2" cable clamp crosby G-450 (2 ea)
	500157	aluminium cushion Ø17"x1/2"	3	33 (for 3)	(41980) clip 1-3/4" (1 ea)
	500107	phenolic cushion Ø17"x1"	2	24 (for 2)	(41949) special clamp (1 ea)

Pile Size: square 16", Concrete Piles, Pipe Piles, and H-beams, using Diesel Hammer larger then D19-42
Total Weight: 2,087 approx.


P-523

	#	Assembly	Qty	Weight lbs. approx.	Accessories
	500020 HD	20" Square Concrete Helmet	1	2,150	(8005537) 1/2" x 16" to 20" 6x36 IWRC steel cable(2 ea)
	500307	striker plate, Ø17"x6"	1	330	(8001749) 7/16"-1/2" cable clamp crosby G-450 (2 ea)
	500157	aluminium cushion Ø17"x1/2"	3	33 (for 3)	(41980) clip 1-1/4" (1 ea)
	500107	phenolic cushion Ø17"x1"	2	24 (for 2)	(41949) special clamp (1 ea)

Pile Size: square 20", Concrete Piles, Pipe Piles, and H-beams, using Diesel Hammer larger then D19-42
Total Weight: 2,537 approx.