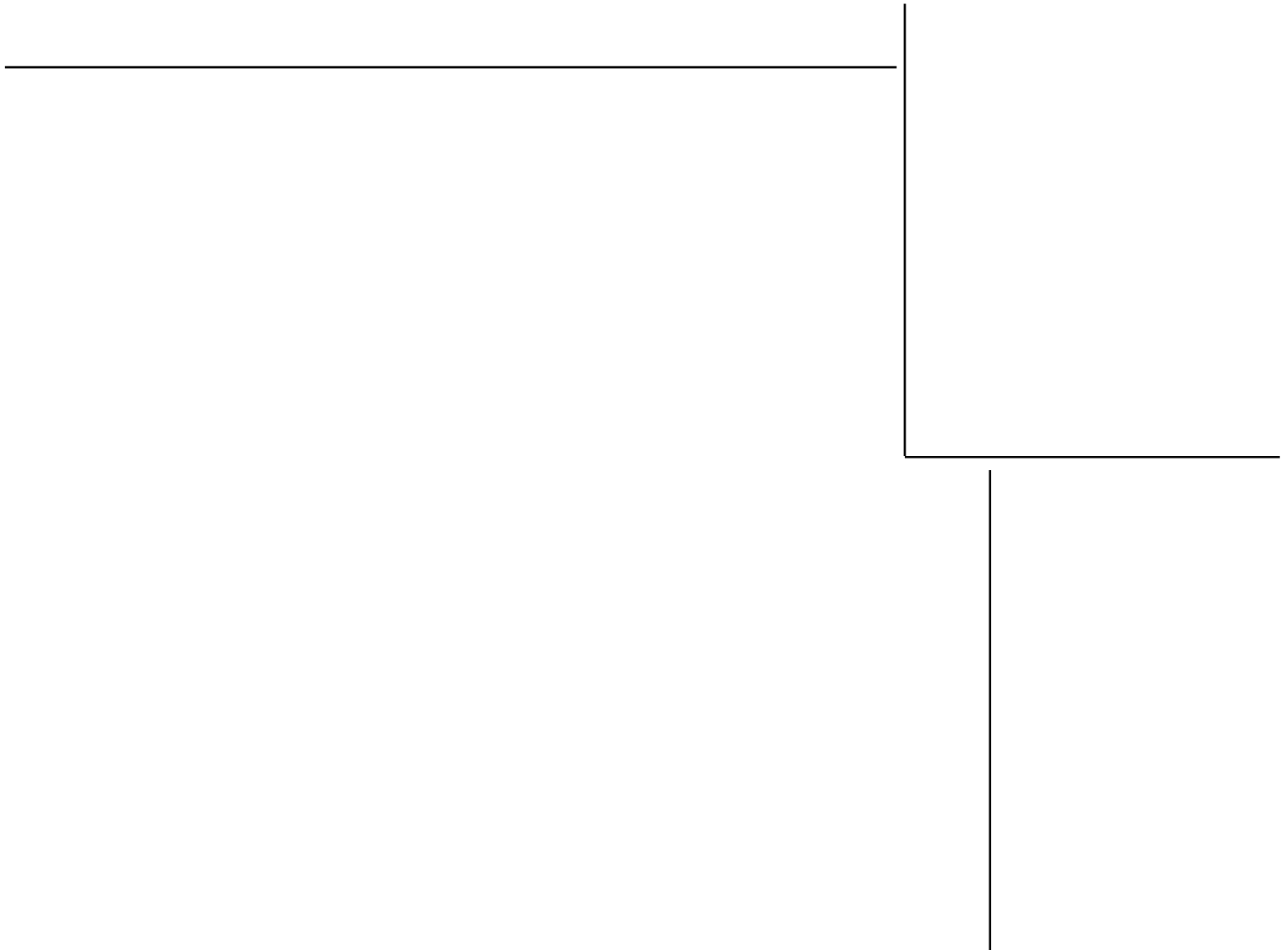

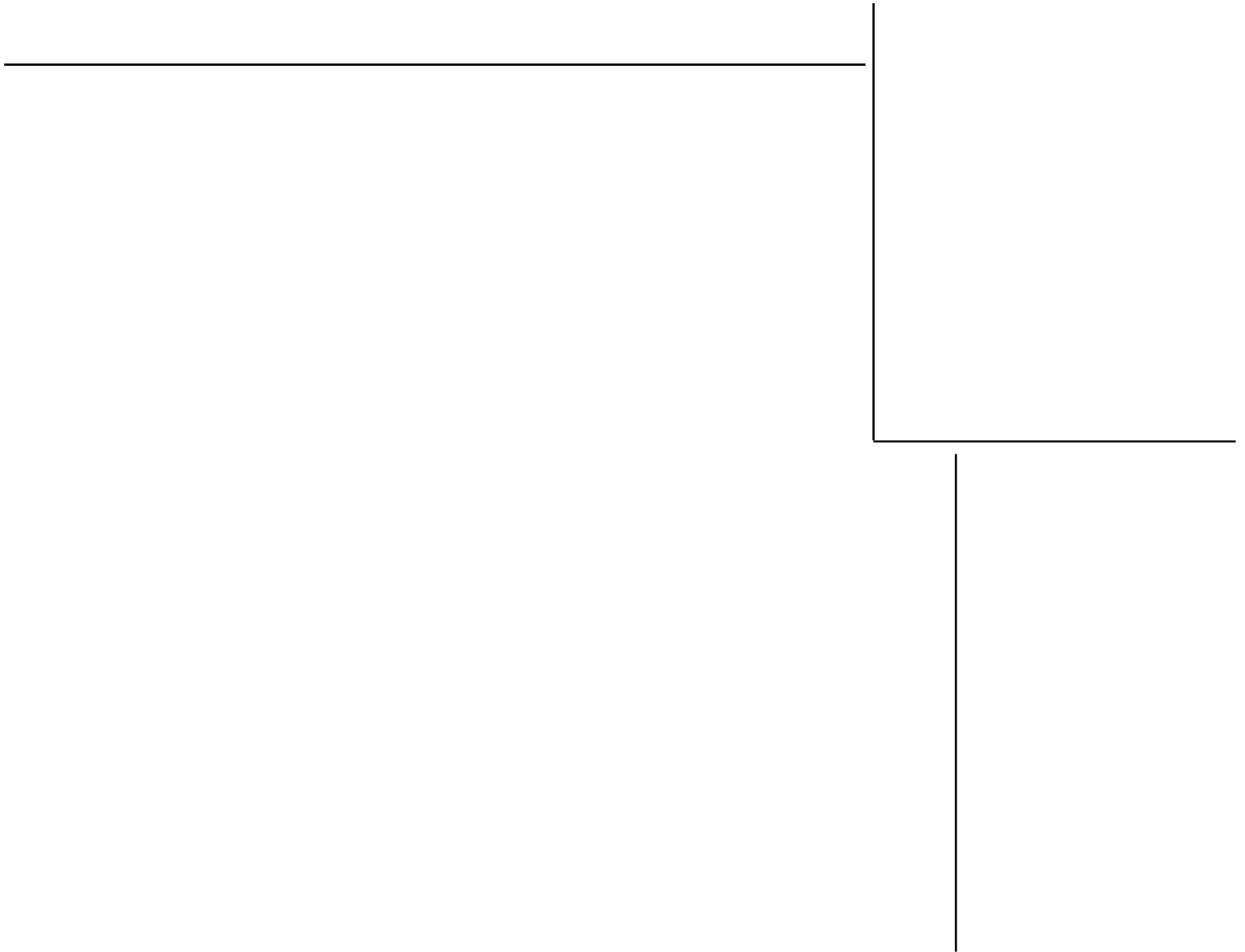



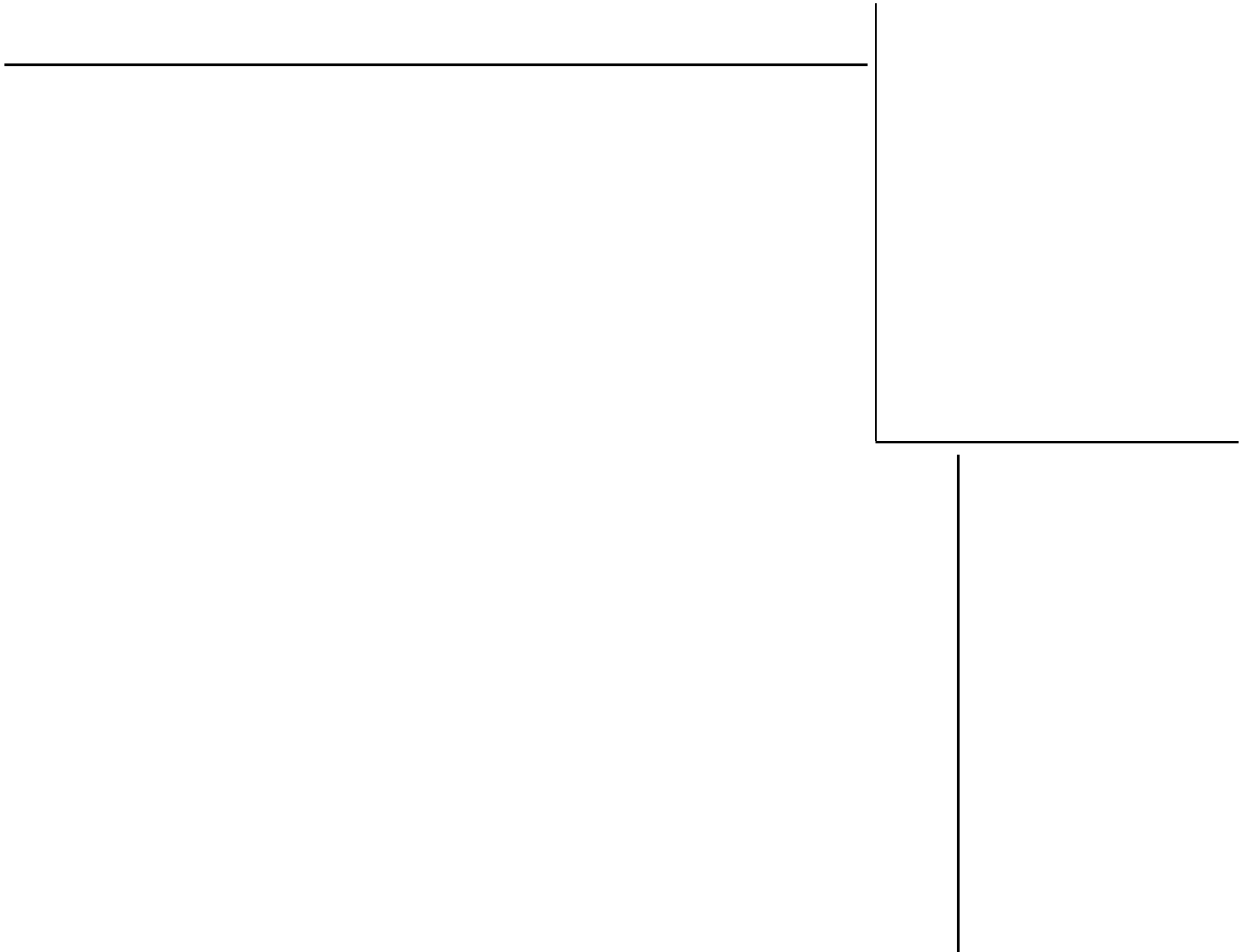
EU Helmets




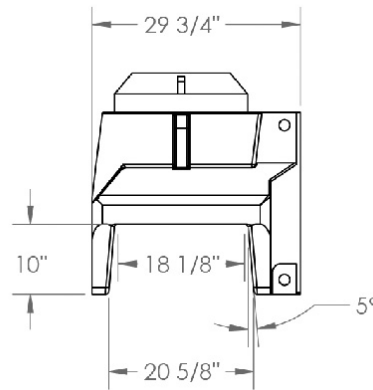
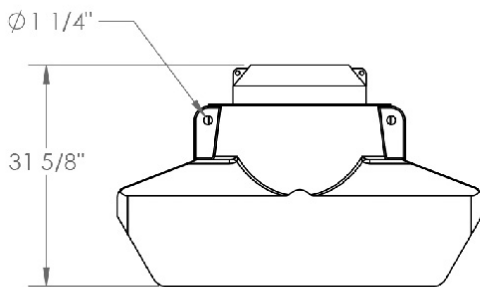
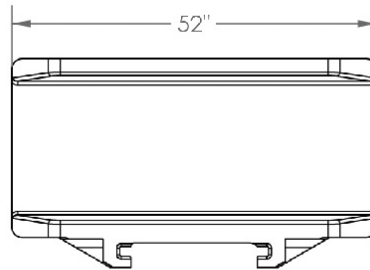
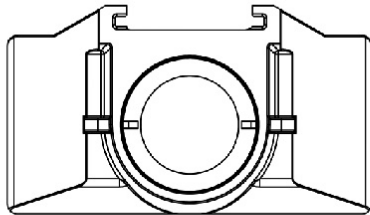
P-505					
	#	Assembly	Qty	Weight lbs. approx.	Accessories
	500013	Sheet Pile Helmet	1	1,360	(8005537) 1/2" x 16" to 20" 6x36 IWRC steel cable(2 ea)
	500302	striker plate, sq 13"x6"	1	285	(8001749) 7/16"-1/2" cable clamp crosby G-450 (2 ea)
	500151	aluminium cushion sq 13"x1/2"	3	33 (for 3)	(41981) clip 1-1/4" (1 ea)
	500101	phenolic cushion sq 13"x1"	2	24 (for 2)	(41766) special clamp (1 ea)
Pile Size: 30.5"x 13.25", Sheet Piles, using Diesel Hammer up to D19-42				Total Weight: 1,702 approx.	




P-524					
	#	Assembly	Qty	Weight lbs approx.	Accessories
	500013 HD1	Sheet Pile Helmet	1	1,900	(8005537) 1/2" x 16" to 20" 6x36 IWRC steel cable(2 ea)
	500300	Striker plate, Ø 13"x4"	1	119	(8001749) 7/16"-1/2" cable clamp crosby G-450 (2 ea)
	500172	aluminium cushion Ø 13"x1/2"	3	33 (for 3)	(41980) clip 1-1/4" (1 ea)
	500122	phenolic cushion Ø 13"x1"	2	24 (for 2)	(41949) special clamp (1 ea)
Pile Size: 30" x 12.5", Sheet Piles, using Diesel Hammer larger then D19-42 Total Weight: 2,076 approx.					

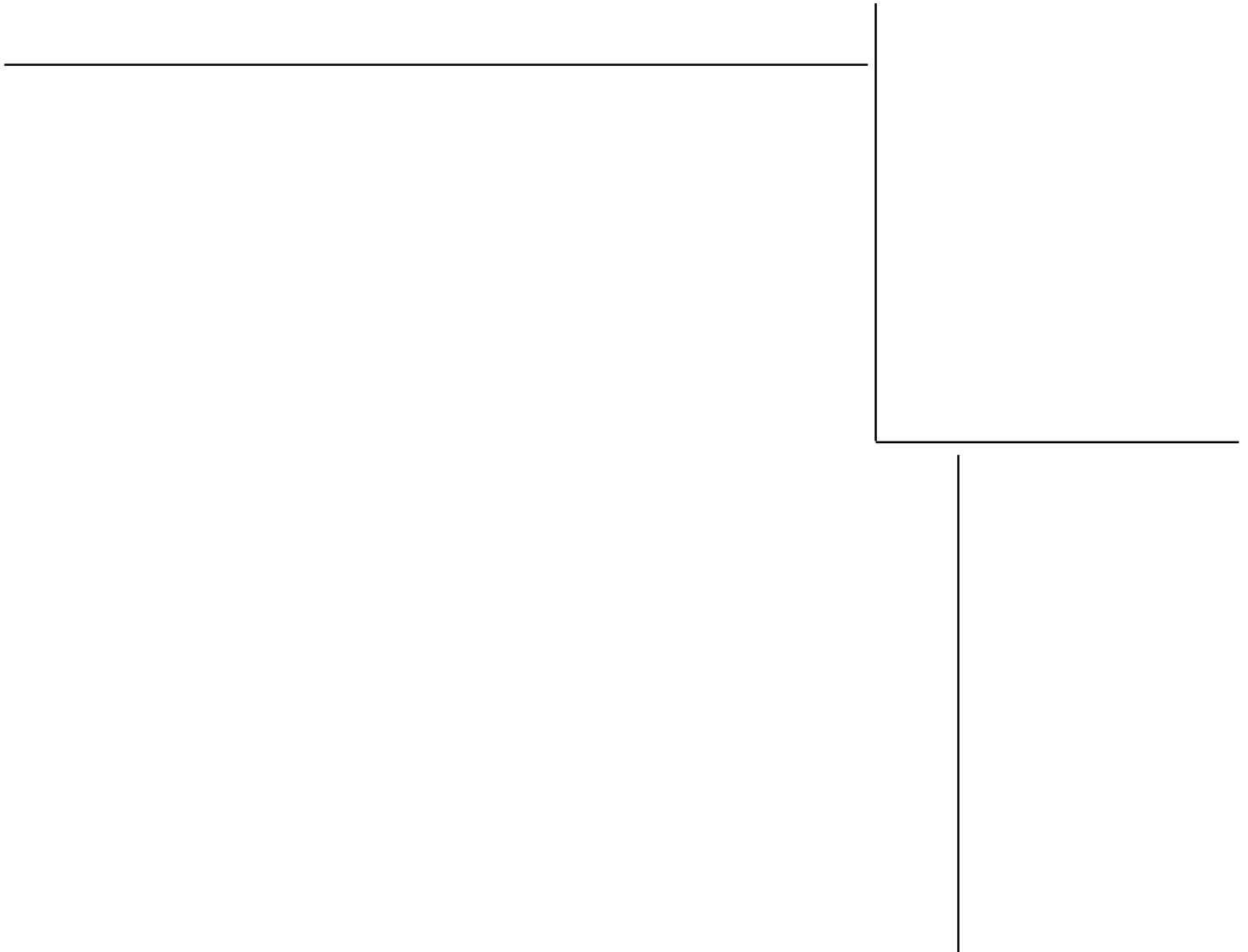



P-525					
	#	Assembly	Qty	Weight lbs. approx.	Accessories
	500013 HD2	Sheet Pile Helmet	1	3,280	(8005537) 1/2" x 16" to 20" 6x36 IWRC steel cable(2 ea)
	500307	striker plate, Ø 17"x6"	1	330	(8001749) 7/16"-1/2" cable clamp crosby G-450 (2 ea)
	500157	aluminium cushion Ø 17"x1/2"	3	33 (for 3)	(41980) clip 1-1/4" (1 ea)
	500107	phenolic cushion Ø 17"x1"	2	24 (for 2)	(41949) special clamp (1 ea)
Pile Size: 38" x 14.5", Sheet Piles, using Diesel Hammer larger then D19-42 Total Weight: 3,667 approx.					

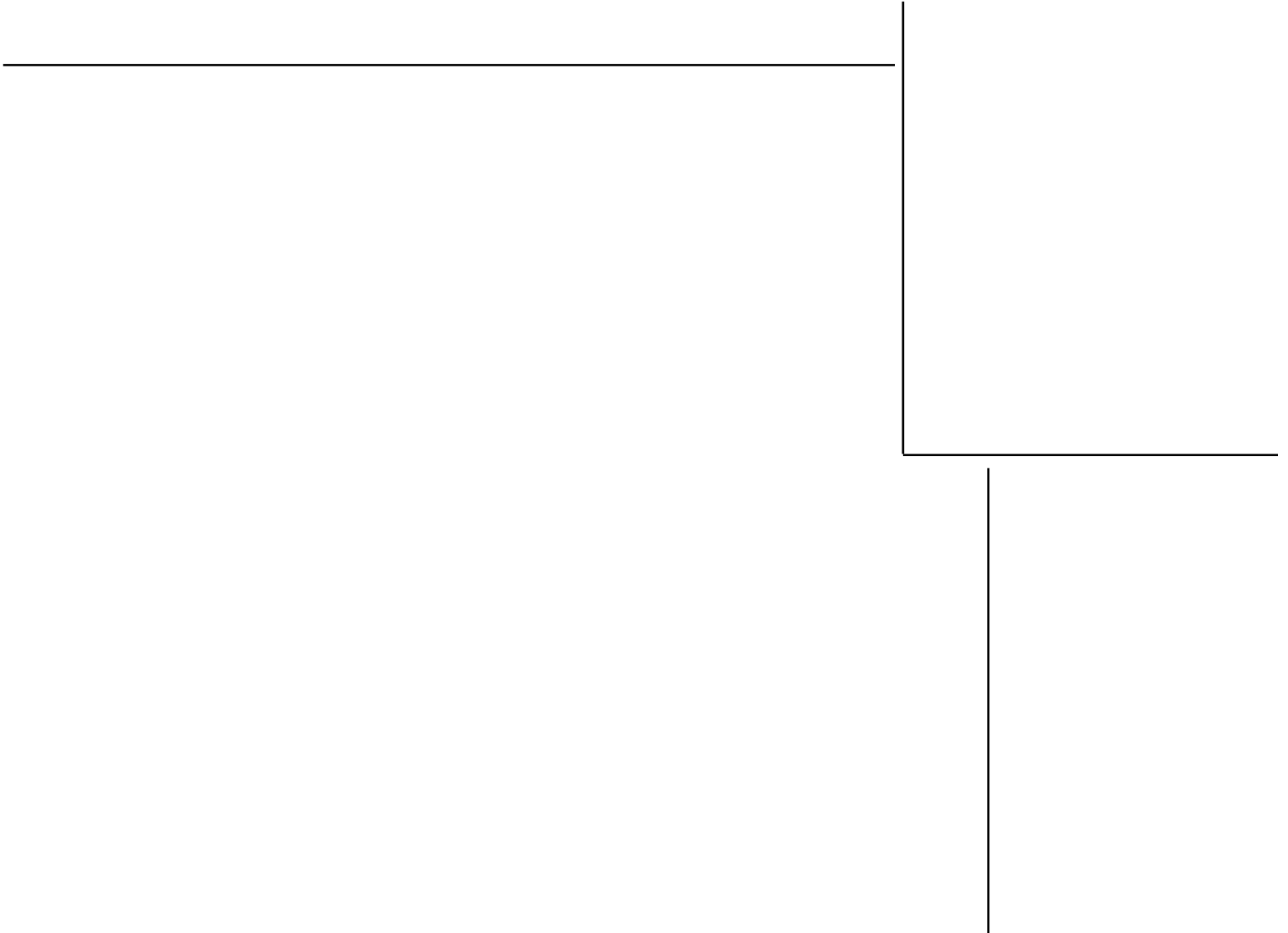

P-526


	#	Assembly	Qty	Weight lbs. approx.	Accessories
	500013-HD5	Sheet Pile Helmet	1	4,380	(8005537) 1/2" x 16" to 20" 6x36 IWRC steel cable(2 ea)
	500308-HD	striker plate, Ø 19"x7"	1	507	(8001749) 7/16"-1/2" cable clamp crosby G-450 (2 ea)
	500158	aluminium cushion Ø 19"x1 1/2"	3	42 (for 3)	(41980) clip 1-1/4" (1 ea)
	500108	phenolic cushion Ø 19"x1"	2	38 (for 2)	(41949) special clamp (1 ea)

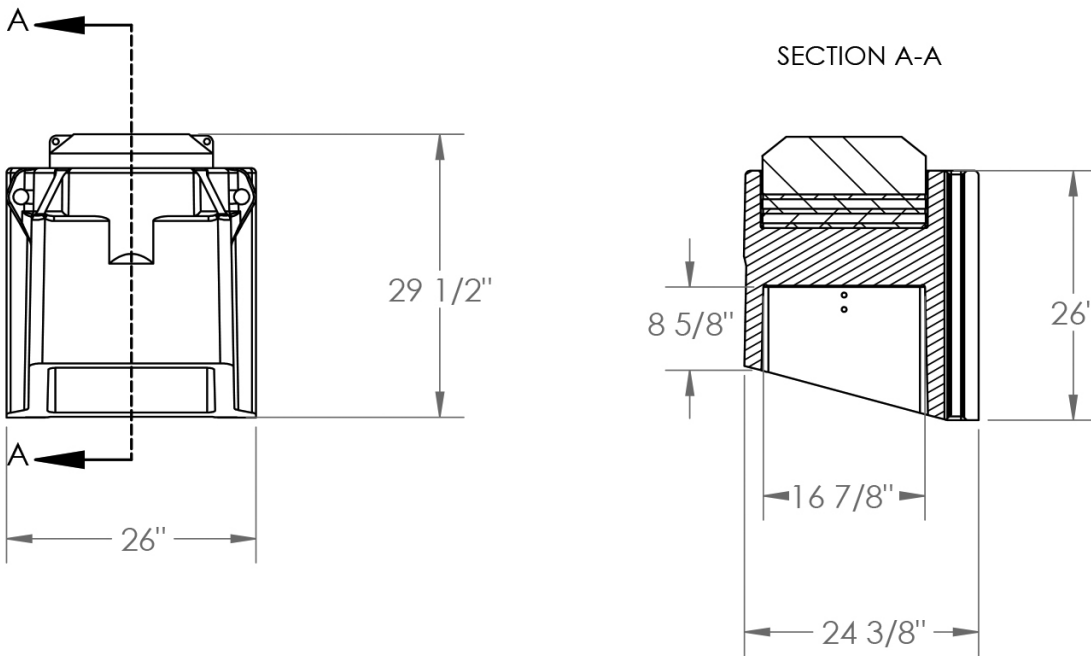
Pile Size: 52" x 19", Sheet Piles, using Diesel Hammer larger then D19-42 Total Weight: 4,967 approx.




P-520					
	#	Assembly	Qty.	Weight lbs approx	Accessories
	500012-HD	12" Square Concrete Helmet	1	1250	(8005537) 1/2" x 16" to 20" 6x36 IWRC steel cable (2 ea)
	500300	striker plate, Ø 13" x 4"	1	119	(8001749) 7/16"-1/2" cable clamp crosby G-450 (2 ea)
	500172	aluminium cushion Ø 13" x 1 1/2"	3	33 (for 3)	(41980) clip 1-1/4" (1 ea)
	500122	phenolic cushion Ø 13" x 1"	2	24 (for 2)	(41949) special clamp (1 ea)
<p>Pile Size: sq. 12", Concrete Piles, Pipe Piles, and H-beams, using Diesel Hammer larger then D19-42 Total Weight: 1,426 approx.</p>					

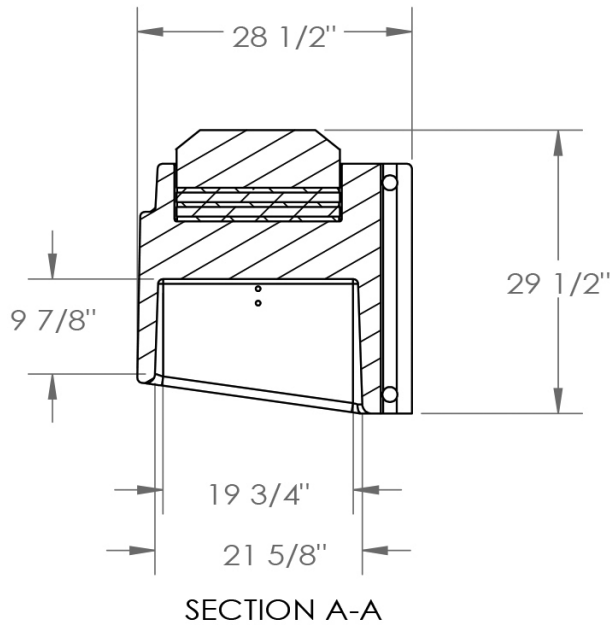
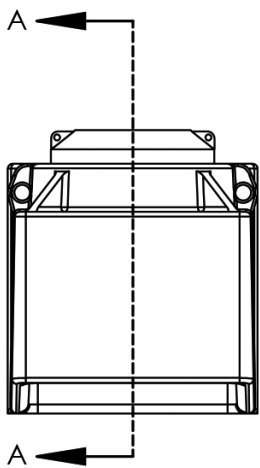
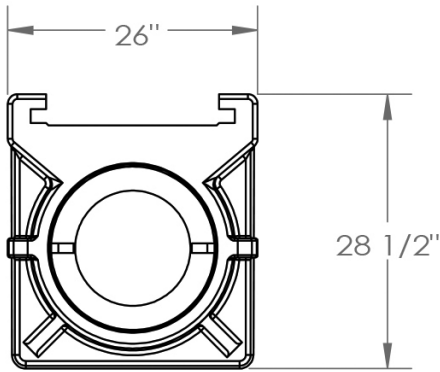



P-521					
	#	Assembly	Qty.	Weight lbs approx	Accessories
	500014 HD	14" Square Concrete Helmet	1	1400	(8005537) 1/2" x 16" to 20" 6x36 IWRC steel cable(2 ea)
	500300	striker plate, Ø 13" x 4"	1	119	(8001749) 7/16" -1/2" cable clamp crosby G-450 (2 ea)
	500172	aluminium cushion Ø 13" x 1/2"	3	33 (for 3)	(41980) clip 1-1/4" (1 ea)
	500122	phenolic cushion Ø 13" x 1"	2	24 (for 2)	(41949) special clamp (1 ea)
<p>Pile Size: square 14", Concrete Piles, Pipe Piles, and H-beams, using Diesel Hammer larger then D19-42 Total Weight: 1,576 approx.</p>					


P-522

	#	Assembly	Qty	Weight lbs. approx.	Accessories
	500016 HD	16" Square Concrete Helmet	1	1,700	(8005537) 1/2" x 16" to 20" 6x36 IWRC steel cable(2 ea)
	500307	striker plate, Ø17"x6"	1	330	(8001749) 7/16"-1/2" cable clamp crosby G-450 (2 ea)
	500157	aluminium cushion Ø17"x1/2"	3	33 (for 3)	(41980) clip 1-3/4" (1 ea)
	500107	phenolic cushion Ø17"x1"	2	24 (for 2)	(41949) special clamp (1 ea)

Pile Size: square 16", Concrete Piles, Pipe Piles, and H-beams, using Diesel Hammer larger then D19-42
Total Weight: 2,087 approx.


P-523

	#	Assembly	Qty	Weight lbs. approx.	Accessories
	500020 HD	20" Square Concrete Helmet	1	2,150	(8005537) 1/2" x 16" to 20" 6x36 IWRC steel cable(2 ea)
	500307	striker plate, Ø17"x6"	1	330	(8001749) 7/16"-1/2" cable clamp crosby G-450 (2 ea)
	500157	aluminium cushion Ø17"x1/2"	3	33 (for 3)	(41980) clip 1-1/4" (1 ea)
	500107	phenolic cushion Ø17"x1"	2	24 (for 2)	(41949) special clamp (1 ea)

**Pile Size: square 20", Concrete Piles, Pipe Piles, and H-beams, using Diesel Hammer larger then D19-42
Total Weight: 2,537 approx.**