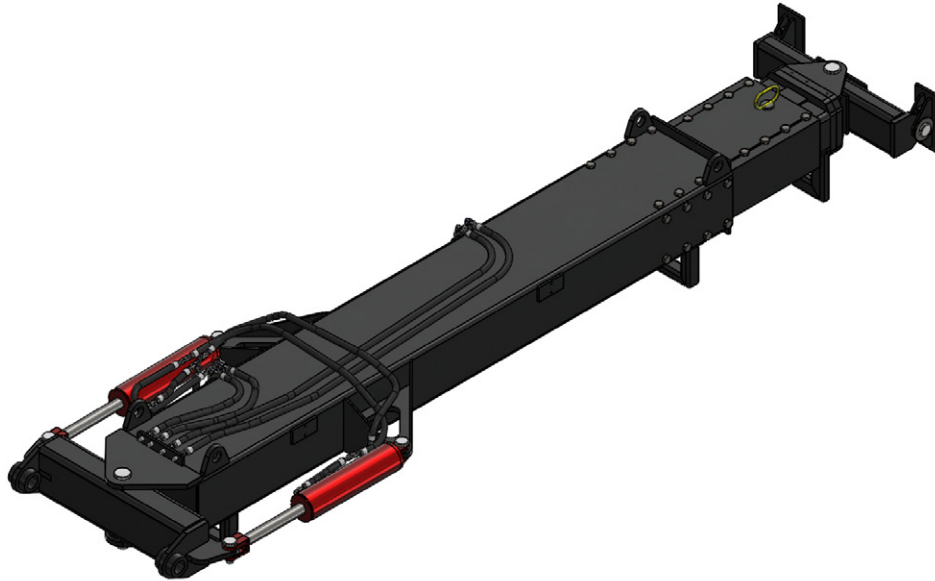




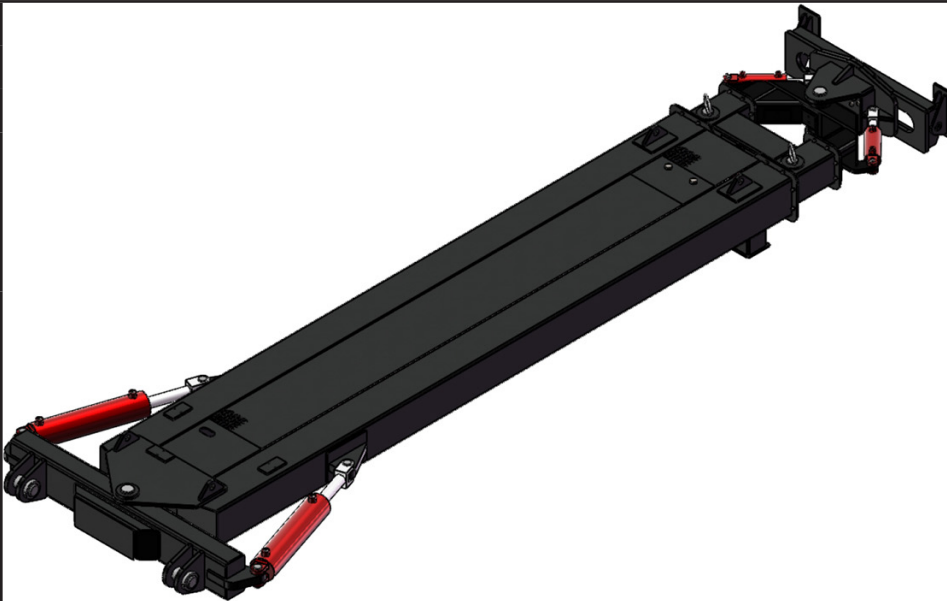
**1200-1 HYDRAULIC/MANUAL SPOTTER**



<b>WEIGHT lbs</b>	4,500
<b>Retracted</b>	14'4"
<b>Extended</b>	27'(HYDRAULIC 6'8" / MECHANICAL 6')
<b>Swing</b>	2 Axis sideswing each way

[View Diagram](#)

**2000 HYDRAULIC SPOTTER HEAVY DUTY**



<b>WEIGHT lbs</b>	6,500
<b>Retracted</b>	20'
<b>Extended</b>	39'
<b>Swing</b>	Axis Rear Swing Each Way: 15 DEG Front Rotation Each way: 15 DEG

[View Diagram](#)

[Parts Manual](#)