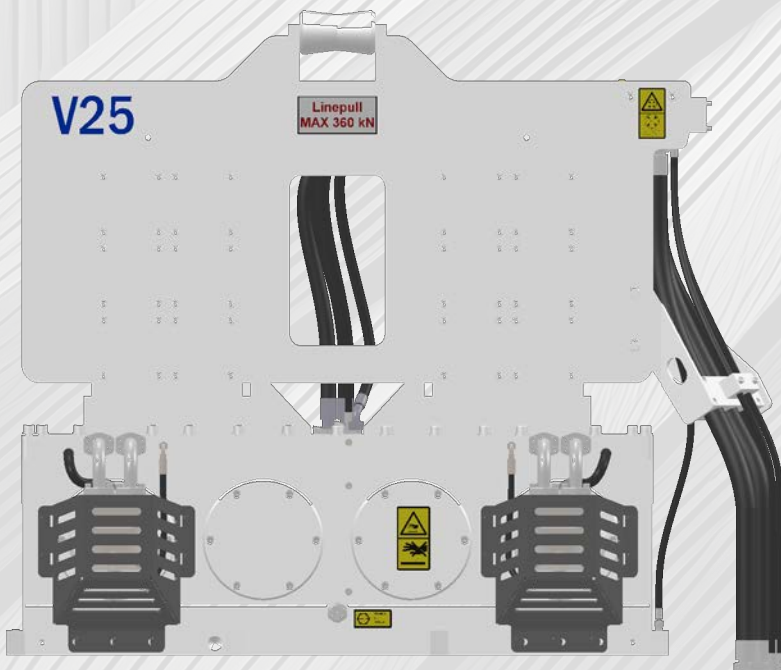
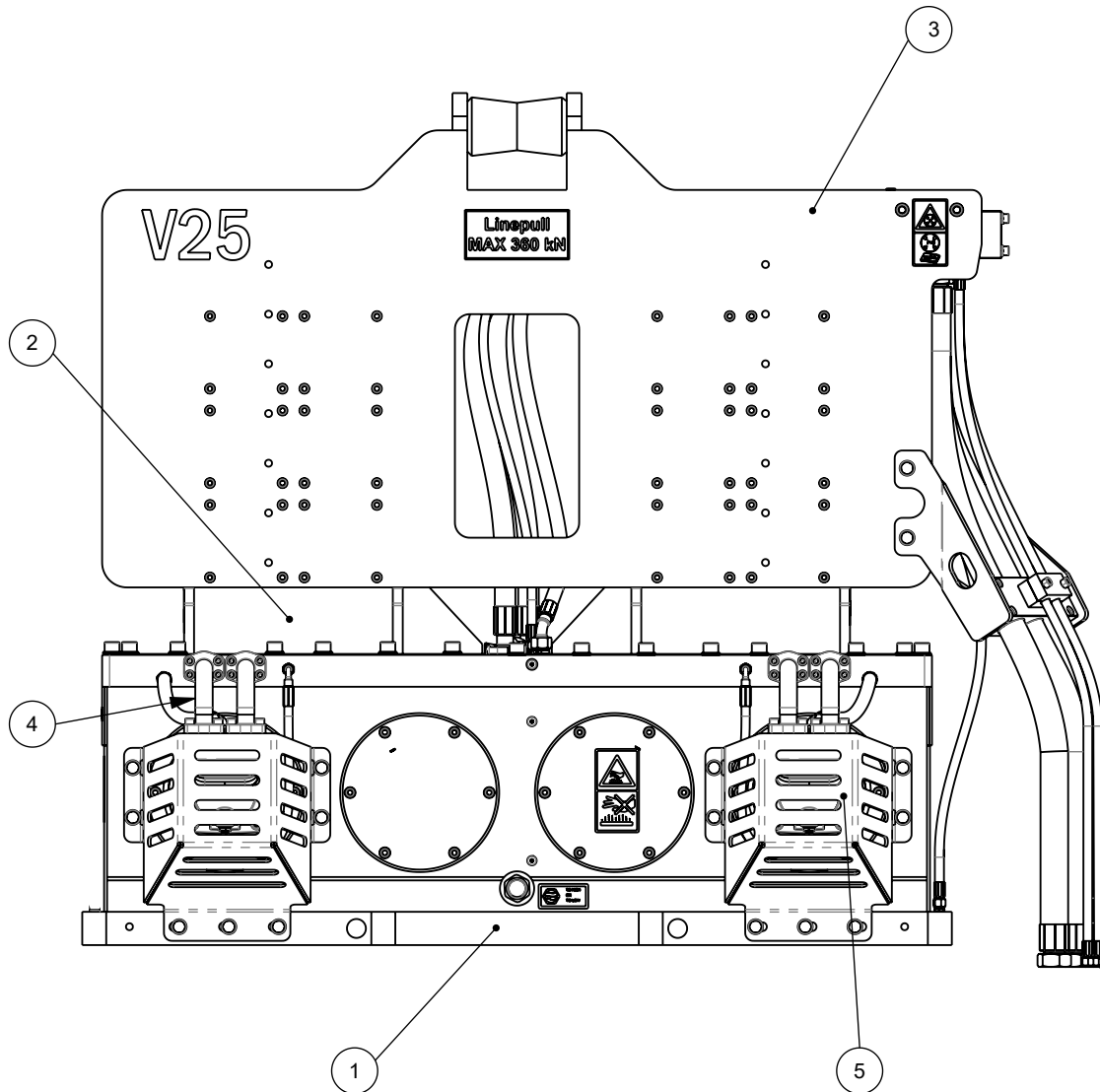




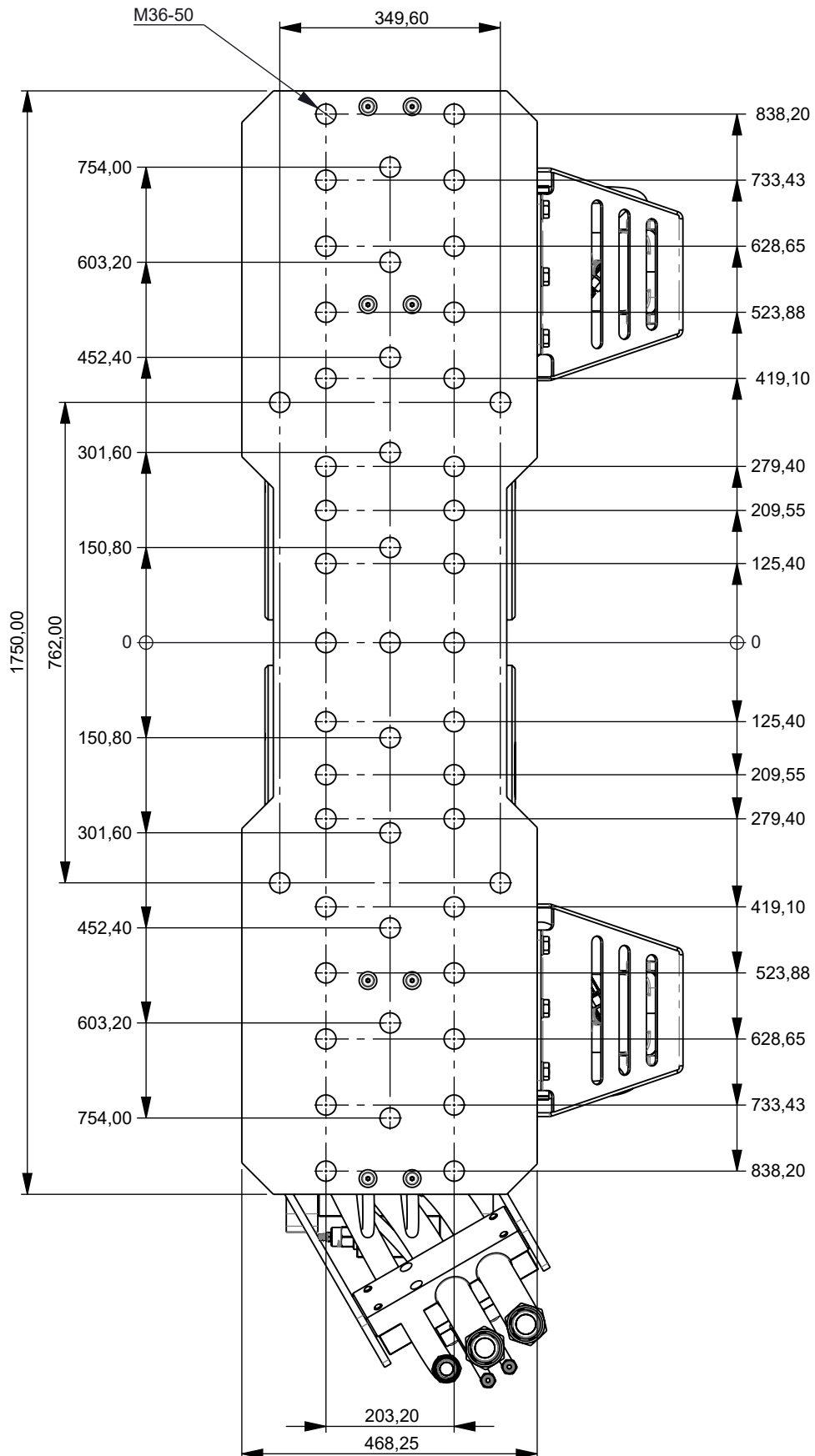
Parts Manual V25



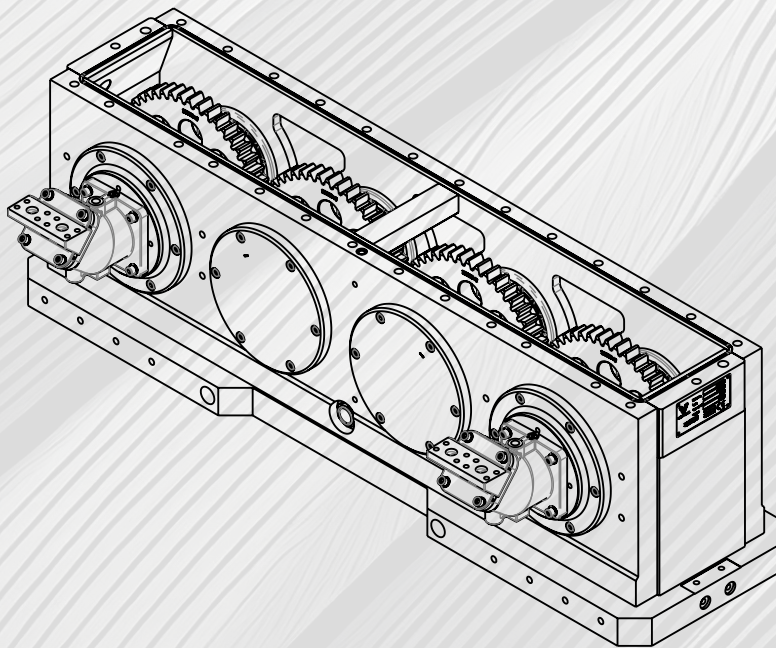
491 Conroe Park W. Dr.
Conroe, TX 77303
main: 936.494.4200
fax: 936.494.4517
email: sales@pileco.com

V25 PARTS MANUAL


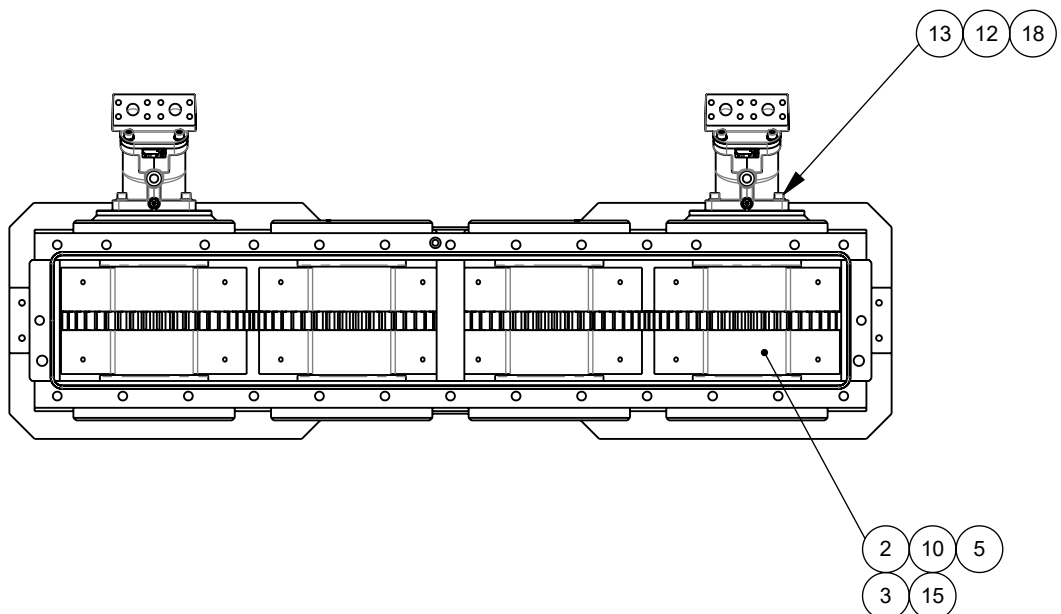
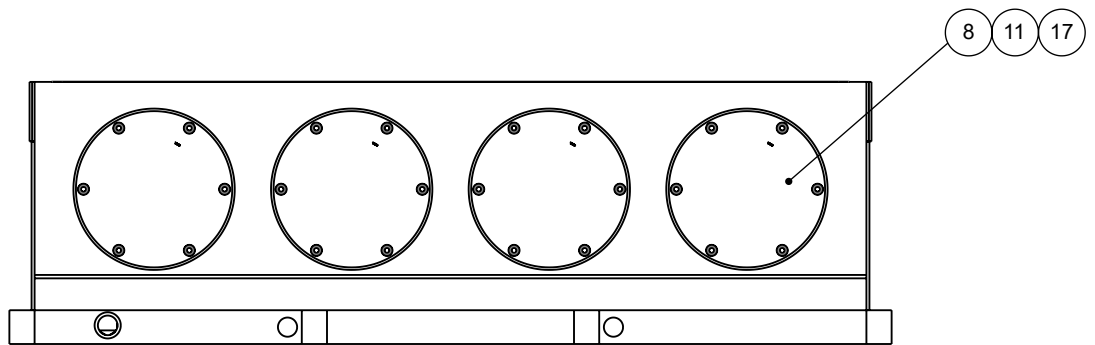
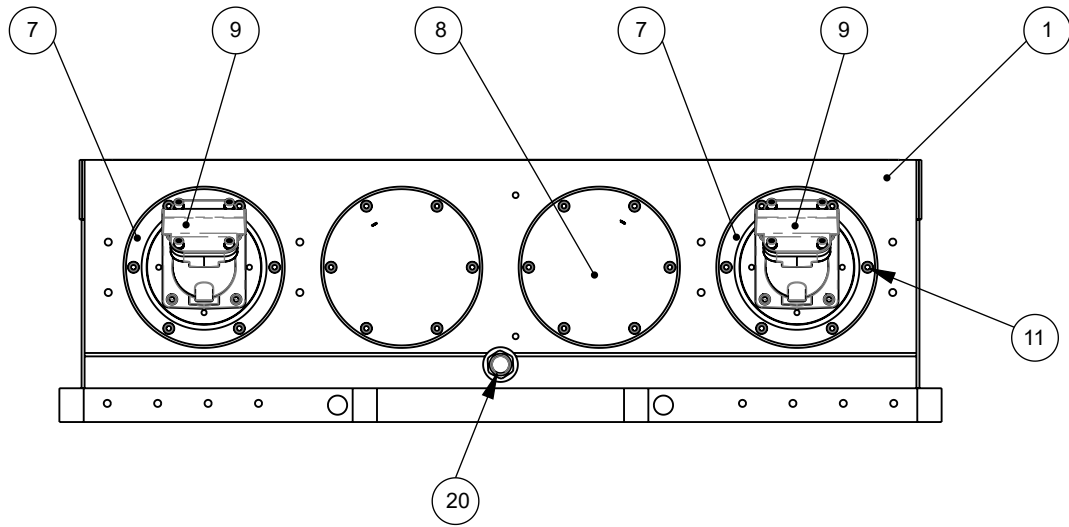
ITEM NO.	PART NUMBER	DESCRIPTION	QTY.
1	P-25-1000	Vibration Case Assembly	1
2	P-25-2000	Suppressor assembly	1
3	P-25-3000	Suppressor house assembly	1
4	P-25-4000	Hydraulic fitting set	1
5	V-25-5001	Motor guard	2
6	1001513	Hose set internal V-25	1
7	1001517	Hose Set Pigtail V-25	1
8	logo-2^2000046		1

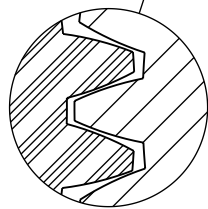
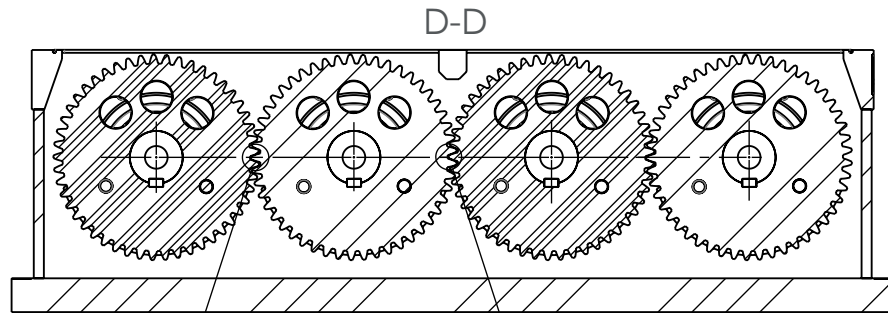
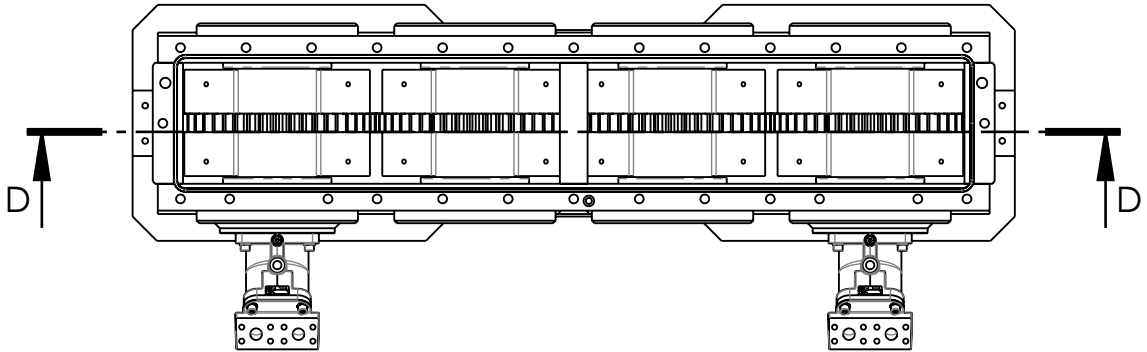
V25 PARTS MANUAL


Parts Manual V25 Vibration case assembly

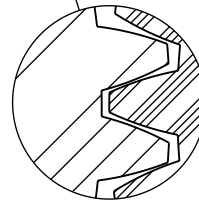


491 Conroe Park W. Dr.
Conroe, TX 77303
main: 936.494.4200
fax: 936.494.4517
email: sales@pileco.com



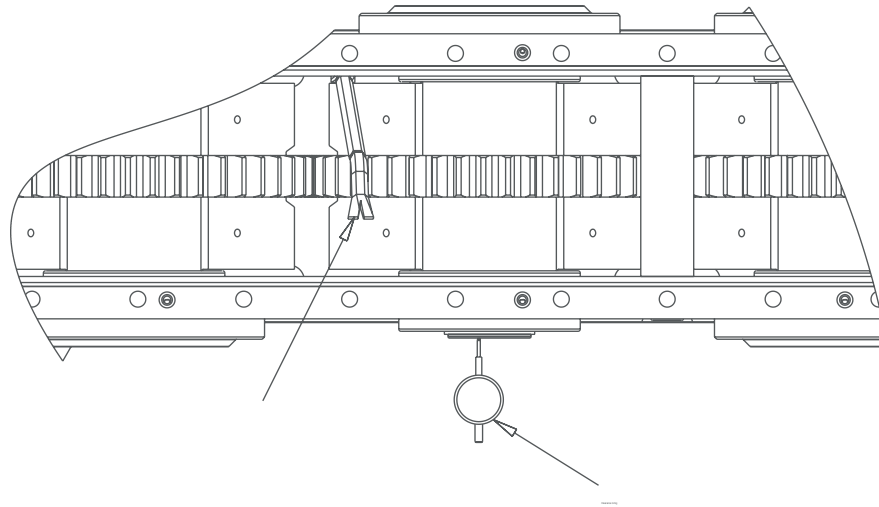


E (1 : 2)

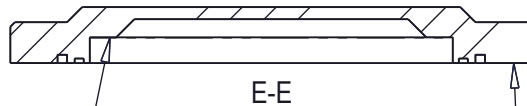


F (1 : 2)

Measuring Axial clearance



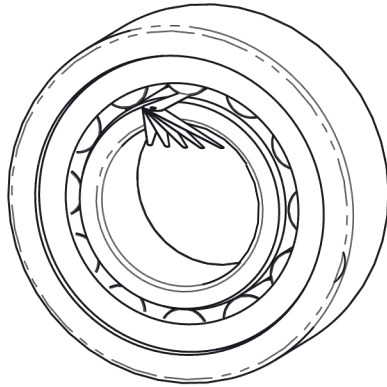
Axial clearance should be between 0.5 an 1.5 mm
 If the clearance isn't between tolerance both bearing covers need to be adjusted.
 Never adjust only one of the covers.



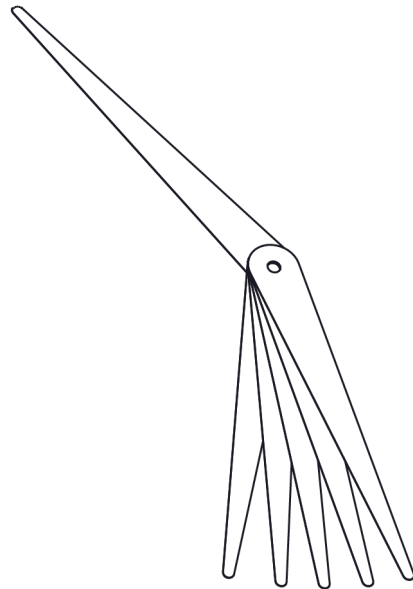
Make sure to update O-ring and oil groove depth

Clearance to big remove 50% of extra cleance
 from this surface Make sure to update O-ring and
 oil groove depth

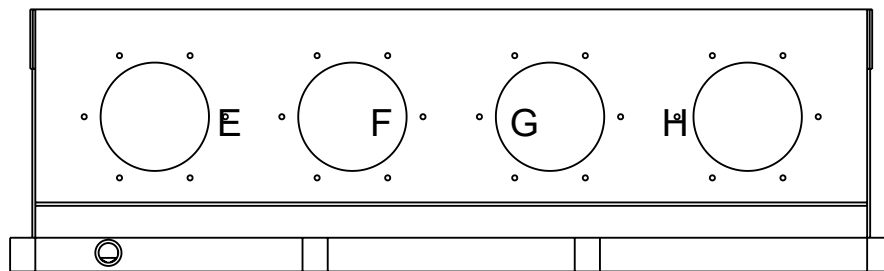
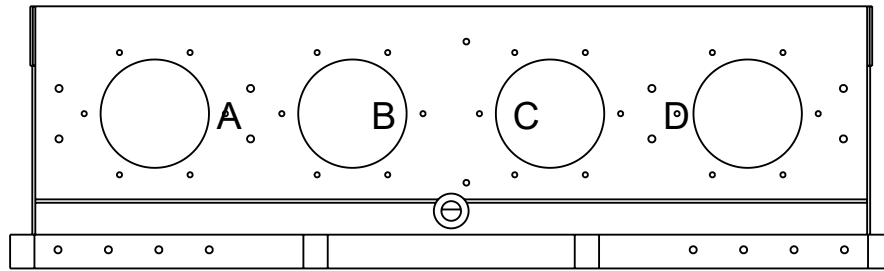
Measure bearings before assembly



For correct dimension always measure clearance of the top three rollers
Mark results in test report dimension before assembly



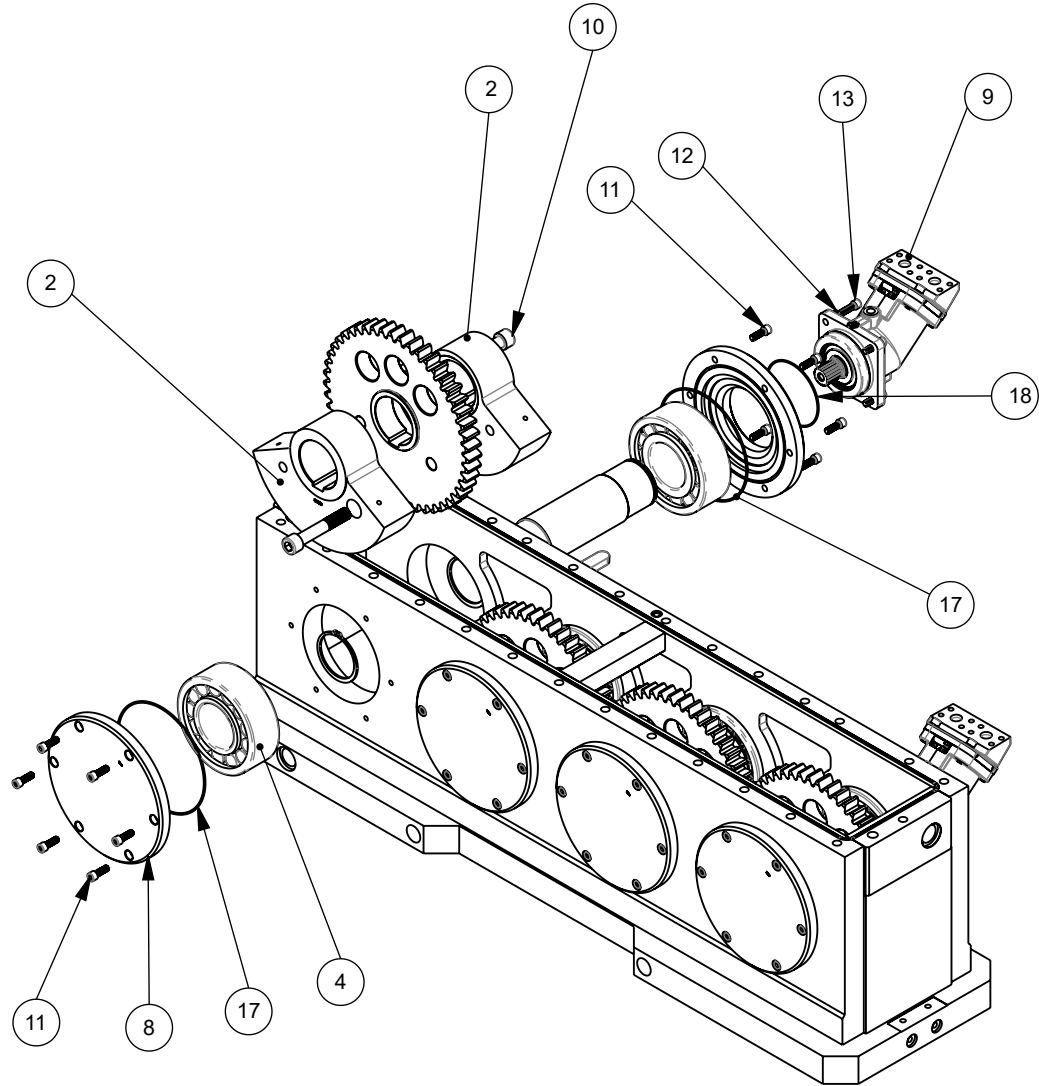
Bearing and clearance reference

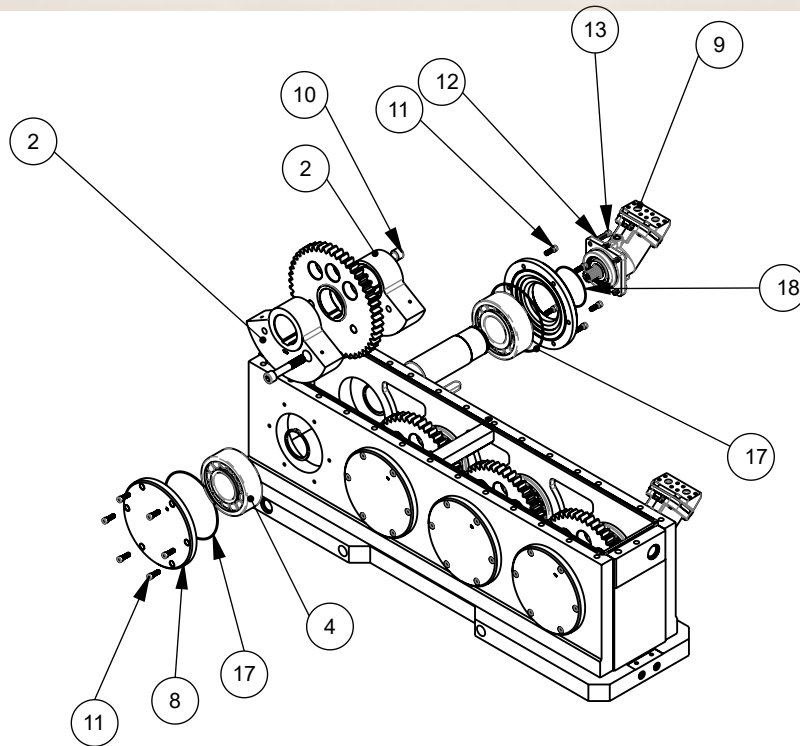


Axial Clearance	
A-E	
B-F	
C-G	
D-H	

Gear Clearance	
A-B	
B-C	
C-D	

Bearing Clearance		
	Before assembly	After assembly
A		
B		
C		
D		
E		
F		
G		
H		

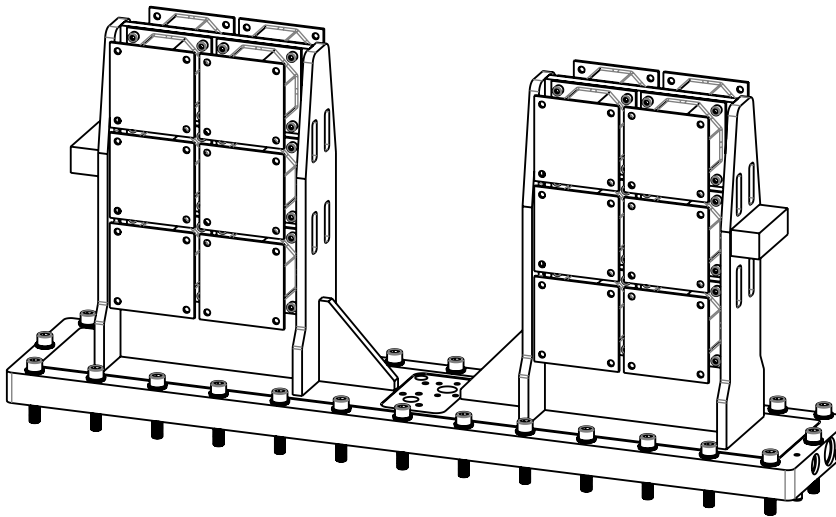




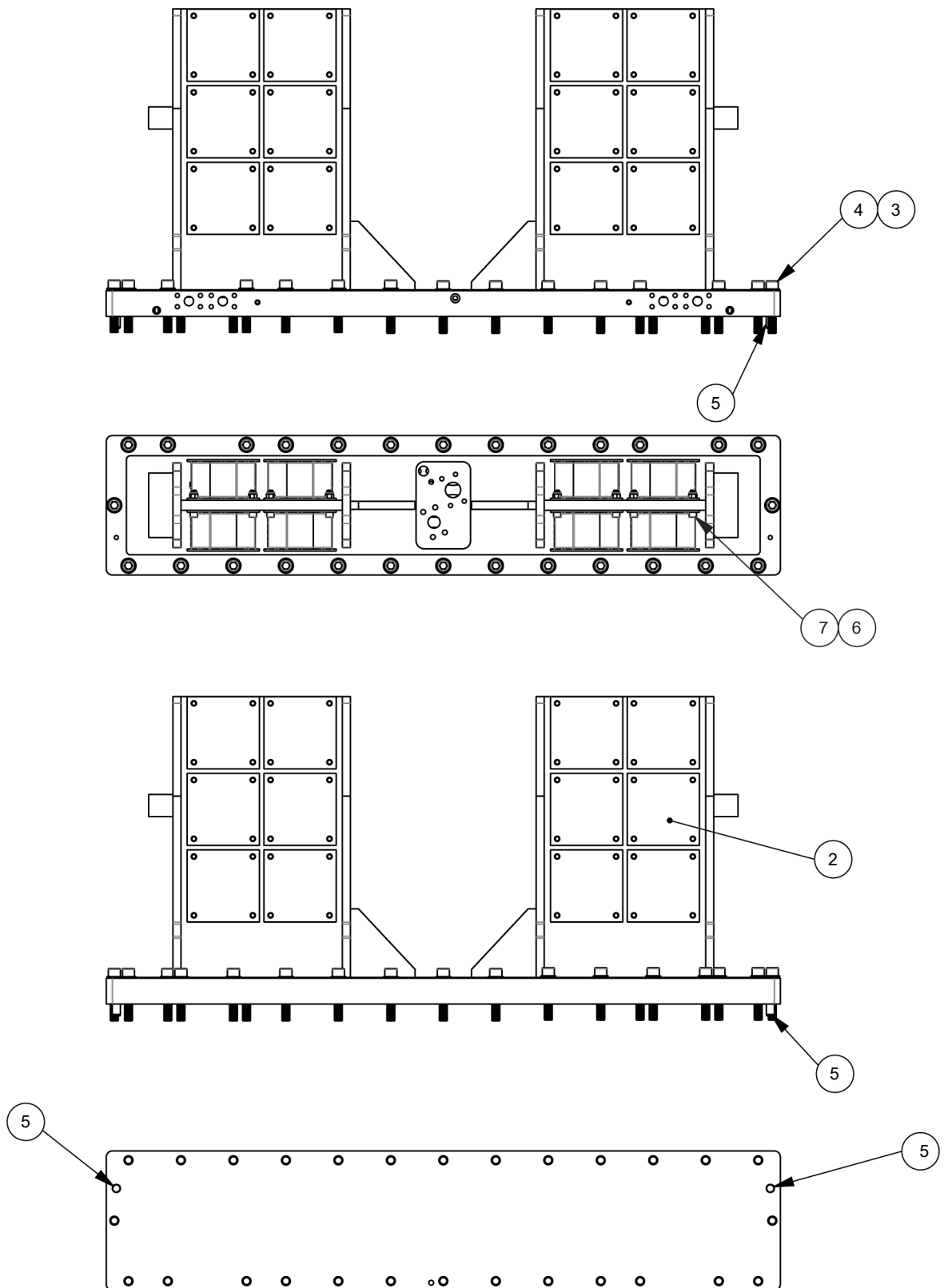
ITEM NO.	PART NUMBER	DESCRIPTION	QTY.
1	2000041	Vibration case US patern	1
2	2000034	Eccentric P23	8
3	2000042	Eccentric Gear	4
4	2000068	Bearing NJ2320	8
5	2000035	Motor Shaft P-23	2
6	2000043	Eccentric Shaft P-23	2
7	2000037	Motor Bearing motor Cover	2
8	2000036	Bearing Cover	6
9	1001398	Hydraulic motor 90 cc	2
10	2000044	SHCS M24 x 140 Din 912 12.9	8
11	1000237	SHCS M12 x 35 12.9 Din912	48
12	1001324	Spring washer M12 Din 127b	8
13	1001396	SHCS M12 x 40 Din 912 12.9	8
14	1000378	SN plate 150 x 80	1
15	1001397	A28 x 16 x 200 Din 6885	4
16	1001402	Retaining ring ext.100x4 Din471	8
17	1001409	O-ring	8
18	1000030	O-ring 140 x 3 70 sh	2
19	10001423	O-RING 6 MM L- 3650	1
20	1001217	Sight gauge	1

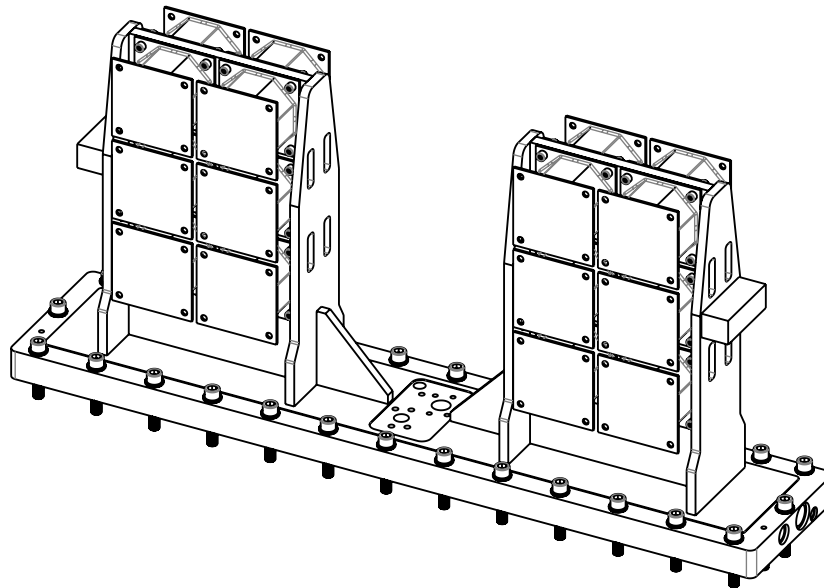


Parts Manual V25-2000 Supressor Assembly



491 Conroe Park W. Dr.
Conroe, TX 77303
main: 936.494.4200
fax: 936.494.4517
email: sales@pileco.com

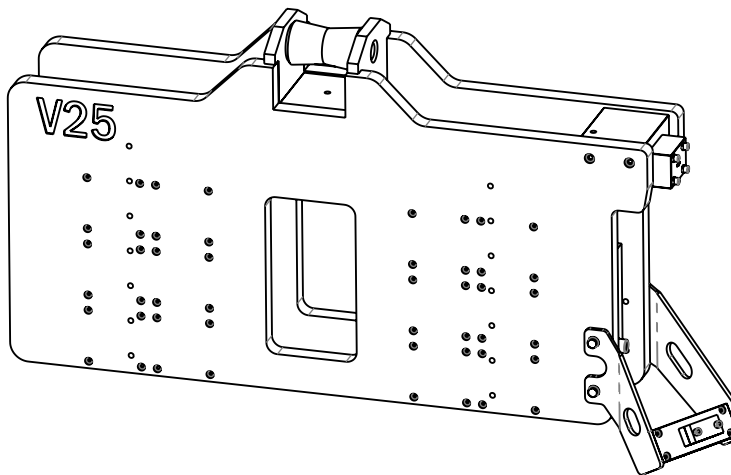




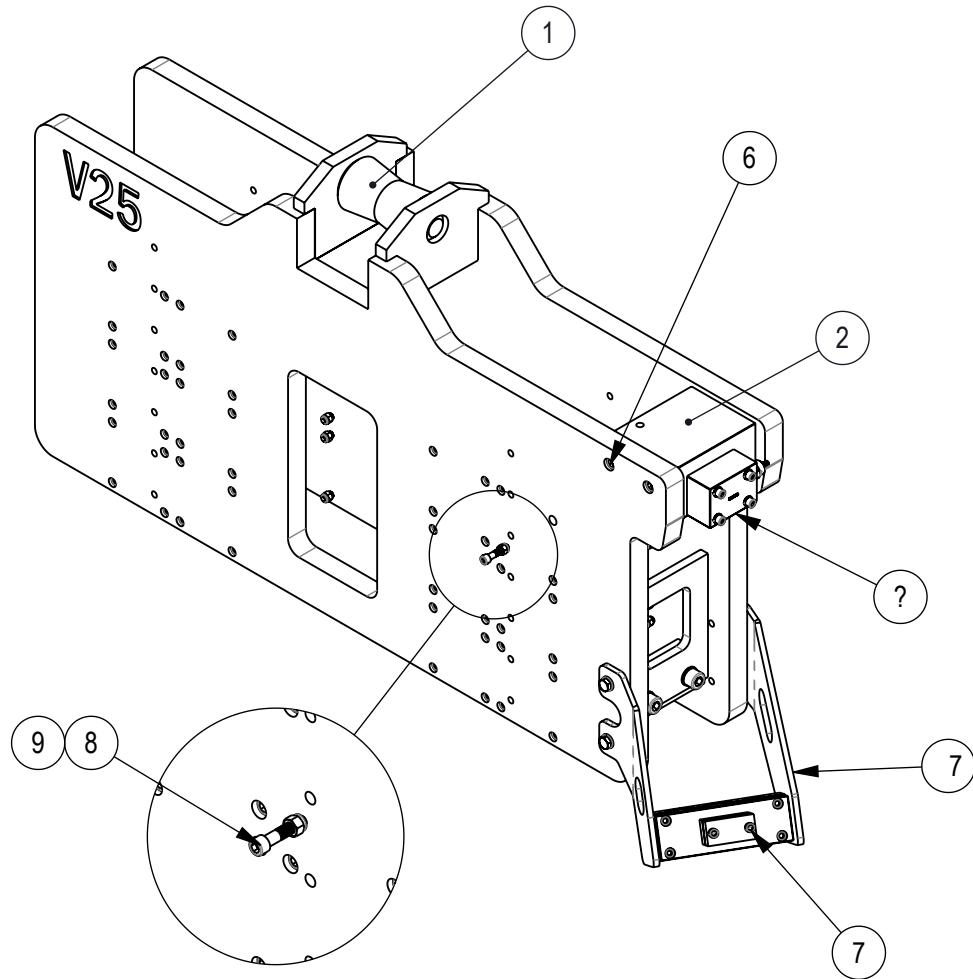
ITEM NO.	PART NUMBER	DESCRIPTION	QTY.
1	2000038	Supressor	1
2	2000069	Elastomer Sml Oct	24
3	1001232	HV Flatwasher 20	28
4	1001404	SHCS M20 x 110 Din 912 12.9	28
5	1001405	Paralel pin DIN EN 28734 - 20 x 70 - A - St	2
6	1000139	Locknut M12 Din 982 8 ZN	49
7	1001403	SHCS M12 x 55 Din 912 12.9	48



Parts Manual V25-3000 Supressor House Assembly

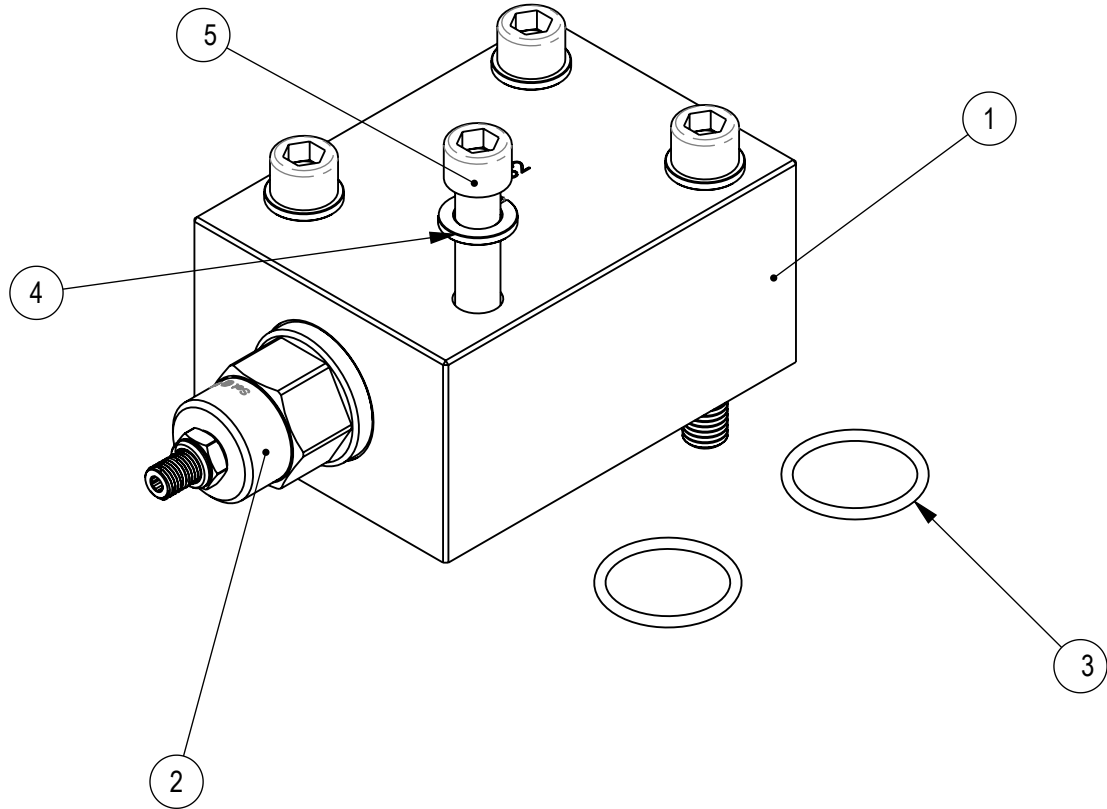


491 Conroe Park W. Dr.
Conroe, TX 77303
main: 936.494.4200
fax: 936.494.4517
email: sales@pileco.com

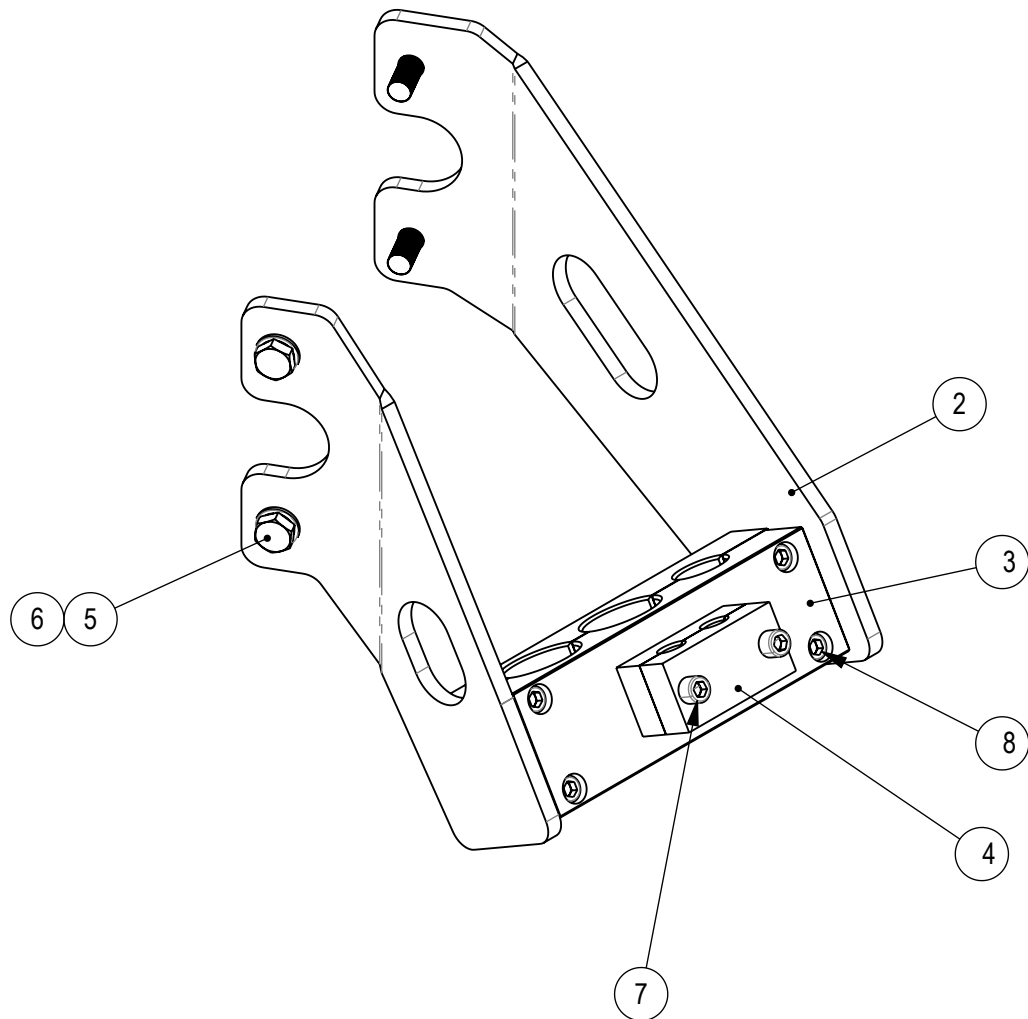


A
SCALE 2 : 15

ITEM NO.	PART NUMBER	DESCRIPTION	QTY.
1	2000040	Suppressor housing	1
2	2000045	Drive manifold	1
3	2000032	Brake valve manifold	1
4	1001271	SHCS M24 x 70 Din 912 12.9	4
5	1001229	SPRING WASHER M24 D127B	4
6	1000242	SHCS M16 x 45 12.9 DIN 912	4
7	1001291-SP	Angular hose guide	1
8	1001403	SHCS M12 x 55 Din 912 12.9	96
9	1000139	Locknut M12 Din 982 8 ZN	96



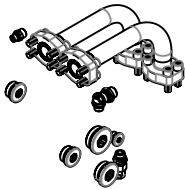
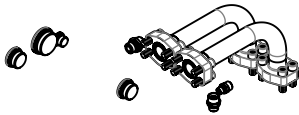
ITEM NO.	PART NUMBER	DESCRIPTION	QTY.
1	2000032	Brakevalve manifold	1
2	1001520	RP16A20-L	1
3	1000011	O-ring 33 x 3 70 sh	2
4	1001324	Spring washer M12 Din 127b	4
5	1001323	SHCS M12 x 90 Din 912 12.9	4



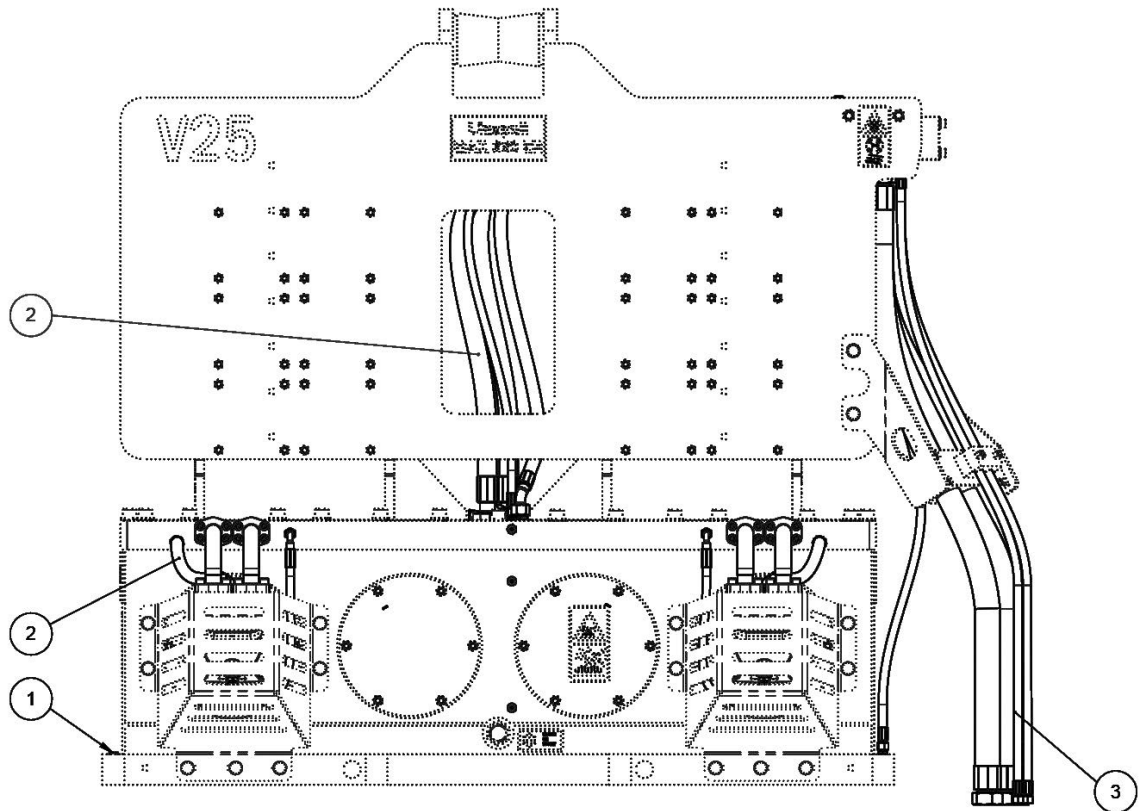
ITEM NO.	PART NUMBER	DESCRIPTION	QTY.
1	1001291-004	Hoseguide plate	1
2	1001291-005	Hoseguide plate	1
3	1001291-006	Hose clamp	1
4	2000002	HOSECLAMP 2x 3/8"	1
5	1000246	HHCS M16X45 Din 933 8.8	4
6	1000247	Flat washer M16 D125A	4
7	1001396	SHCS M12 x 40 Din 912 12.9	2
8	1001227	SHCS M12 x 65 Din 912 12.9	4



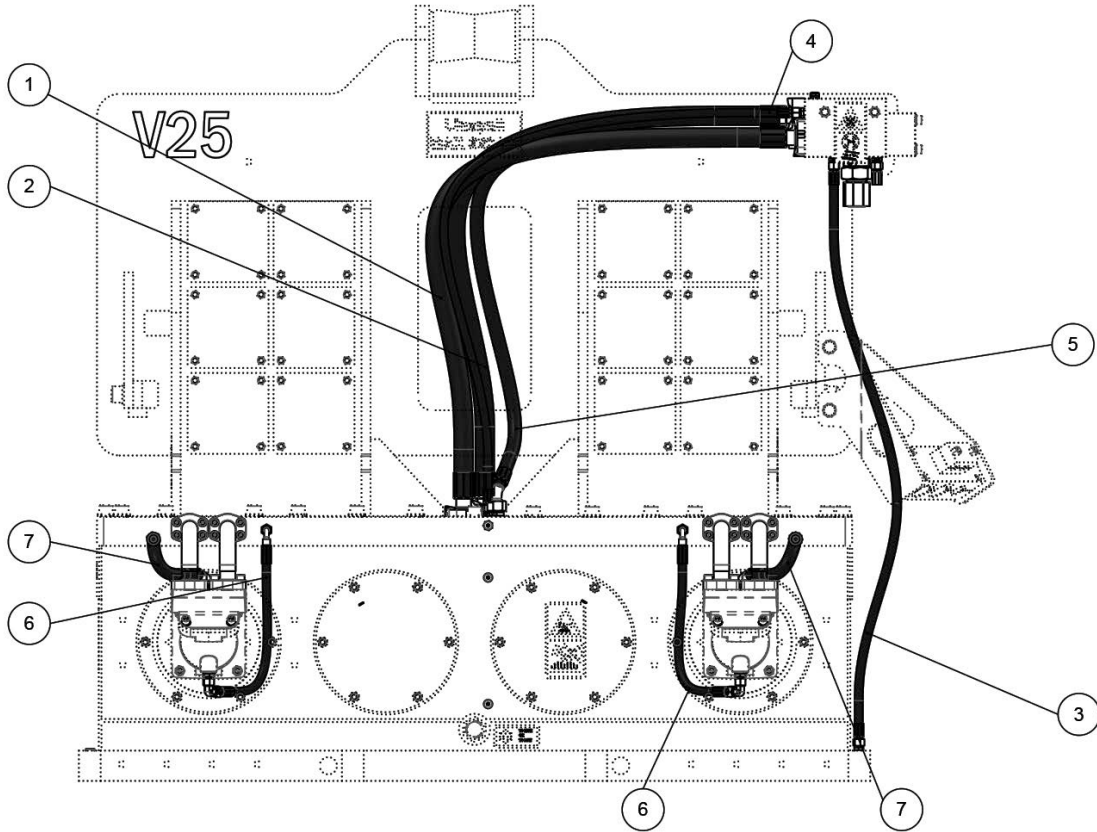
Parts Manual V25--Hoses



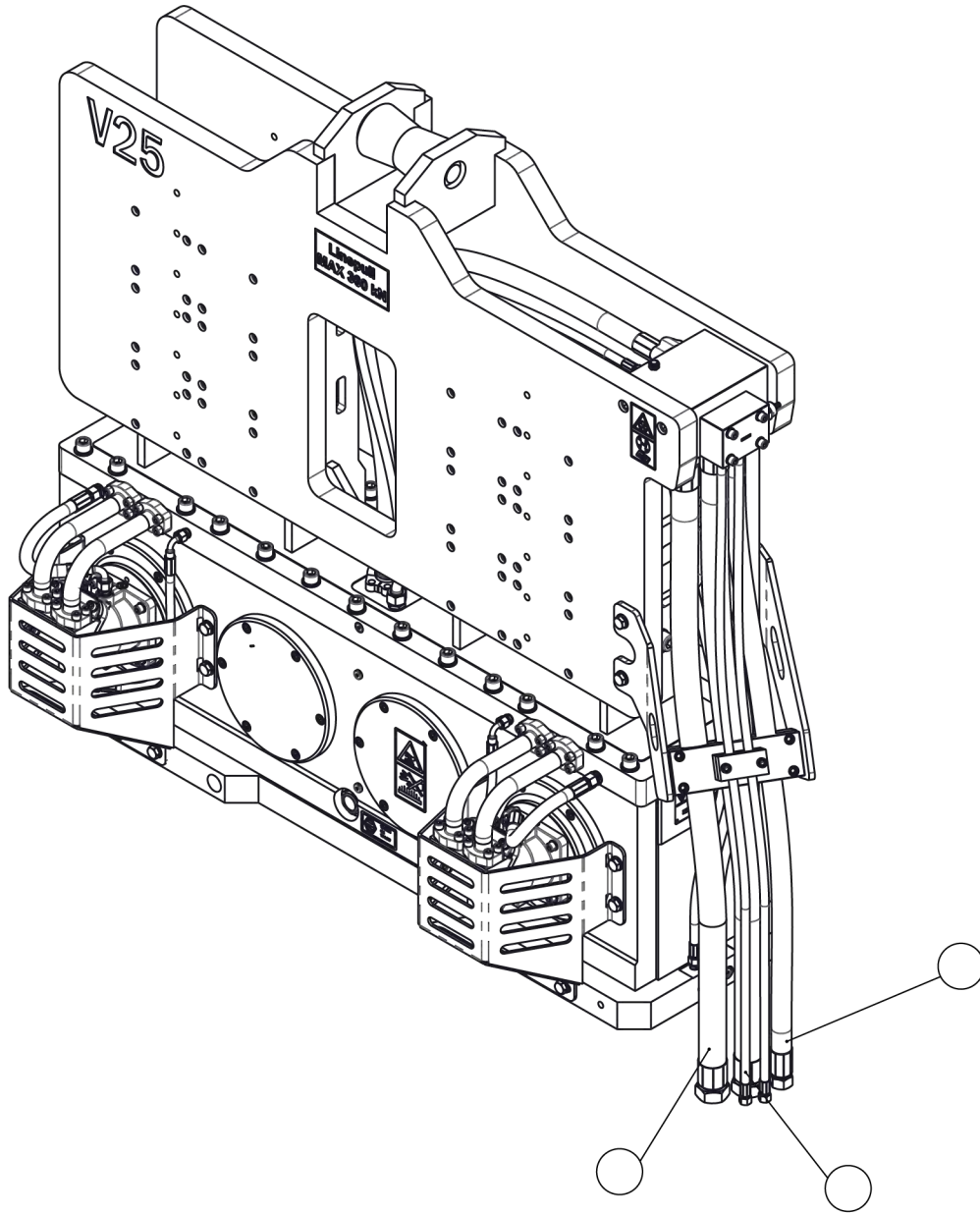
491 Conroe Park W. Dr.
Conroe, TX 77303
main: 936.494.4200
fax: 936.494.4517
email:sales@pileco.com

V25 PARTS MANUAL


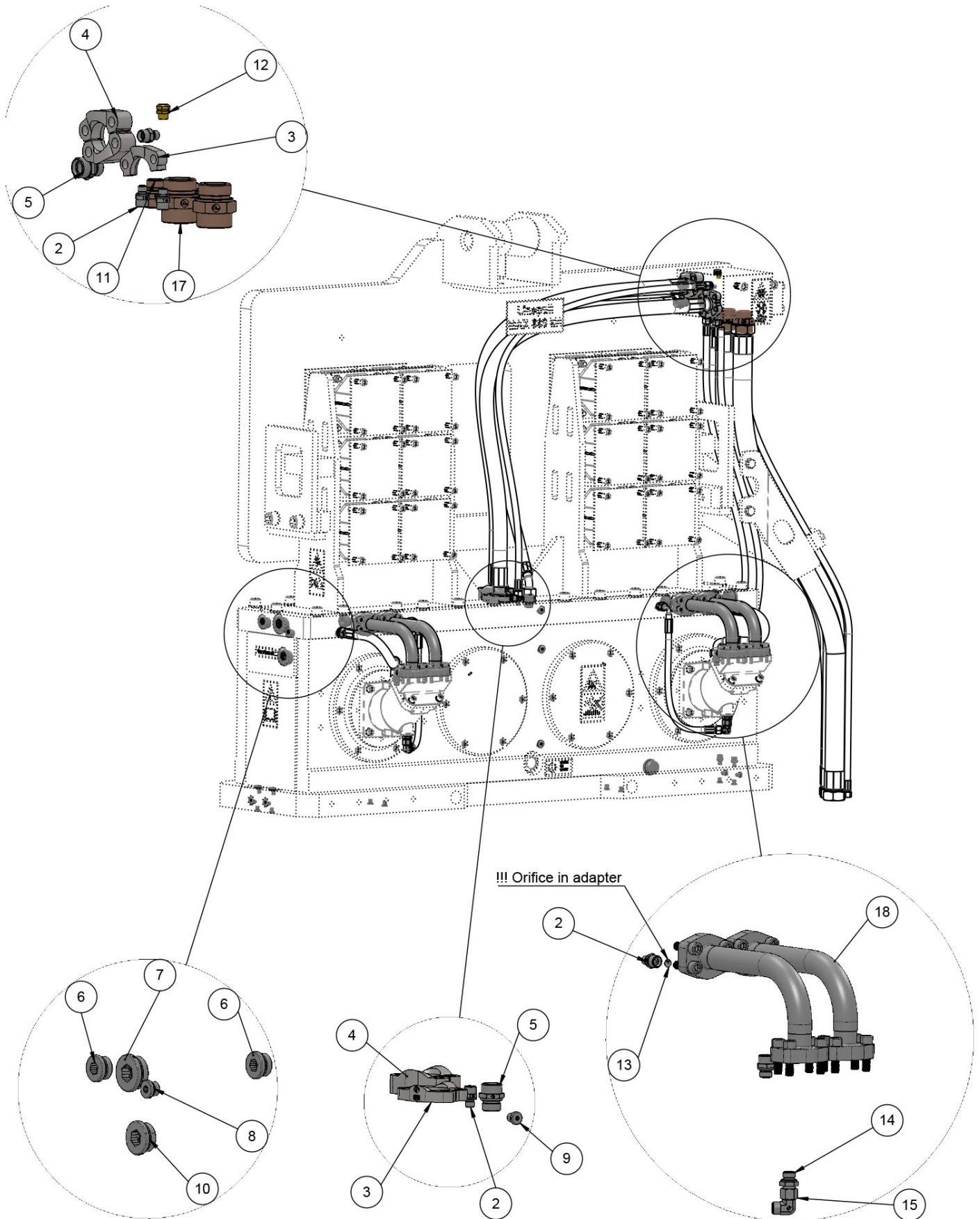
ITEM NO.	PART NUMBER	DESCRIPTION	QTY.
1	P-25-4000	Hydraulic fitting set	1
2	1001513	Hose set internal V-25	1
3	1001517	Hose Set Pigtail V-25	1

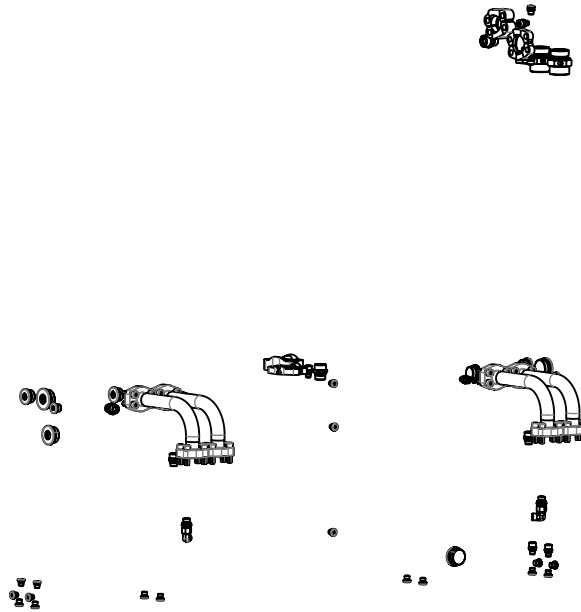


ITEM NO.	PART NUMBER	DESCRIPTION	QTY.
1	1001507	[1001507] Hose 1 1/4" 4SH-11/4"SAE6-11/4"SAE6 L=1620	1
2	1001506	Hose 1 1/2" 4SH-11/2"SAE3-11/2"SAE3 L=1630	1
3	1001512	Hose 3/8" 2SC-12L-12L L=1450	2
4	1001509	Hose 3/8" 2SC-12L-12L L=1600	1
5	1001508	Hose 3/4" 2SC-22L-22L L=1600	1
6	1001510	Hose 3/8" 2SC-12L-12L90 L=490	1
7	1001511	Hose 1/2" 2SC-15L-15L90 L=380	1



ITEM NO.	PART NUMBER	DESCRIPTION	QTY.
1	1001514	Hose 1 1/2" 4SH-38S-38S L=1500	1
2	1001516	Hose 3/8" 2SC-12L-12L L=1500	1
3	1001515	Hose 1" 4SH-28L-28L L=1500	1

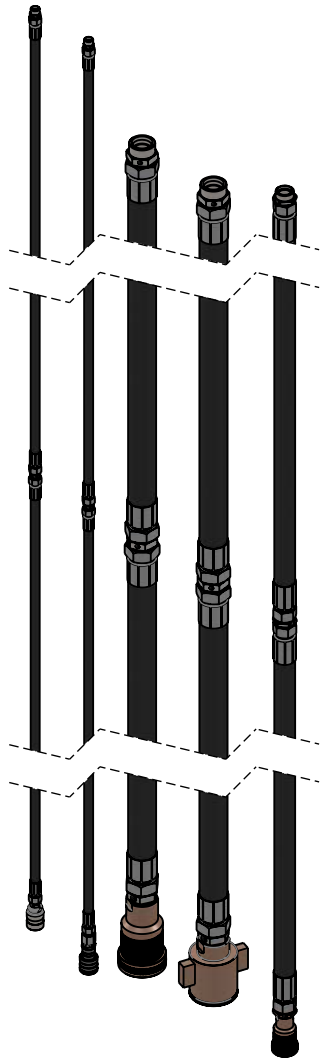




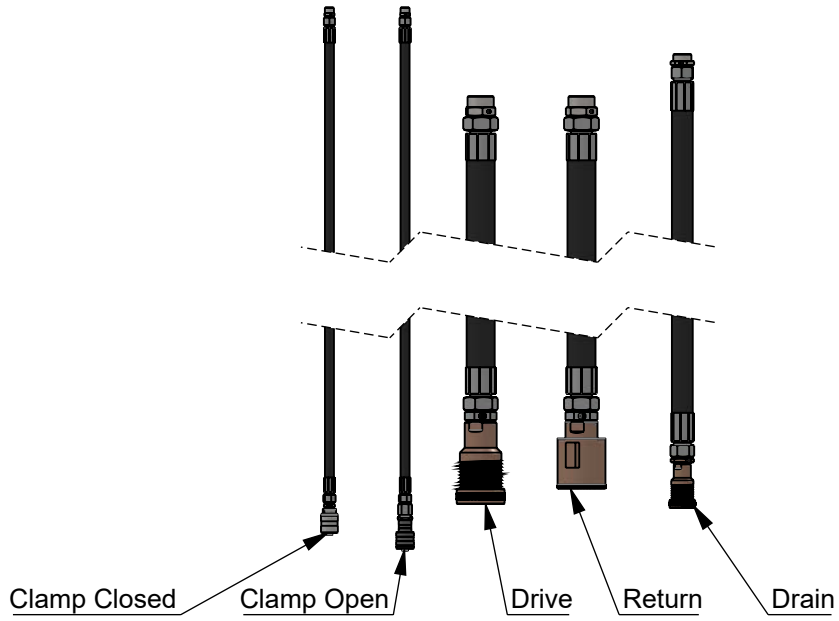
ITEM NO.	PART NUMBER	DESCRIPTION	QTY.
1	1000205	GE15LREDOMD	2
2	1000208	GE12LR1_4EDOMD	10
3	1000185	FHS36CF-11/2"SAE 3 M12	4
4	1000188	FHS65CF	4
5	1000476	GE22LR3/4"EDOMDCF	2
6	1000215	VSTI1EDCF	4
7	1000493	VSTI11_2EDCF	2
8	1000222	VSTI1/2"ED	2
9	1000006	VSTI-1/4EDCF	17
10	1000099	VSTI11_4EDCF	2
11	1000173	GE28I3/4"OMD	1
12	1001352	Breather 1_4	1
13	1000496	Disk Orifice 1mm	2
14	1000440	GE12LM18X1.5EDOMD	2
15	1000203	EW12LOMD	2
16	1001524	GE15LM18x1.5ED	2
17	1000536	GE38SREDOMDCF	2
18	V-25-4001	Connection tube	4

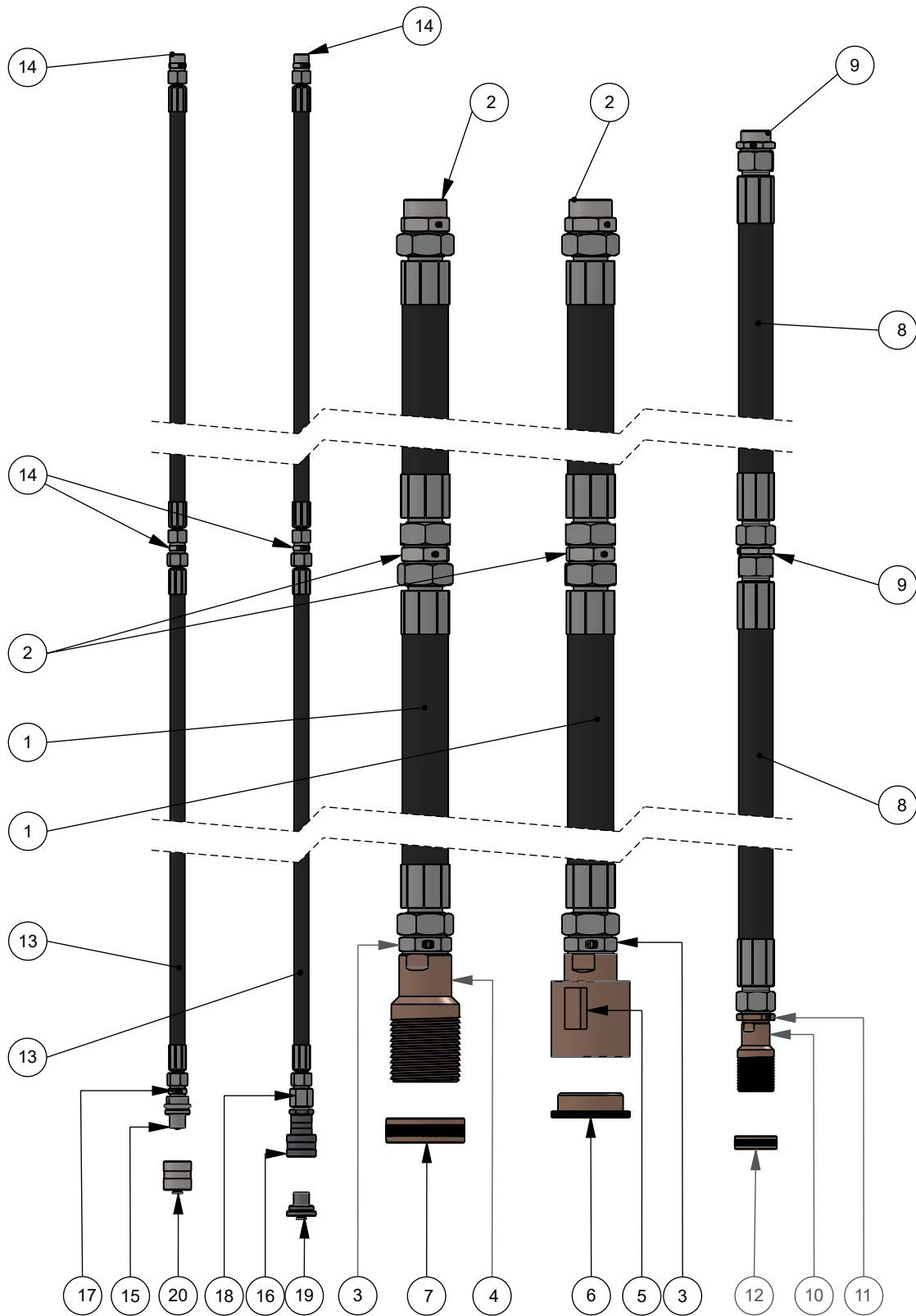


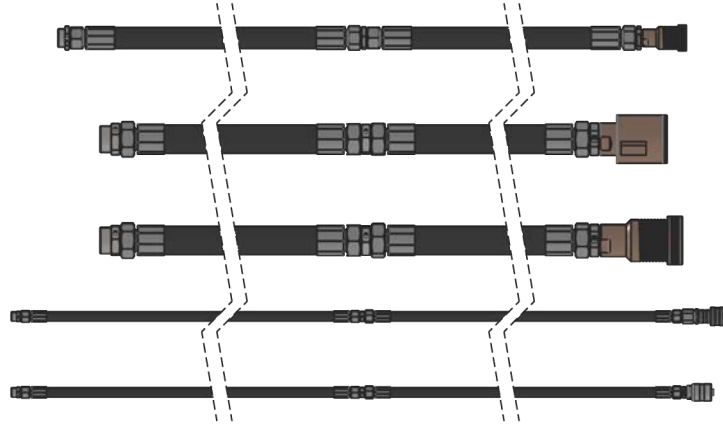
Parts Manual V25--Hose Set 30 Mtr



491 Conroe Park W. Dr.
Conroe, TX 77303
main: 936.494.4200
fax: 936.494.4517
email:sales@pileco.com







ITEM NO.	PART NUMBER	DESCRIPTION	QTY.
1	1000629	Hose 1 1/2" 4SH 38S-38S L=15000	4
2	1000630	G38SOMD	4
3	1000536	GE38SREDOMDCF	2
4	1000220	1 1/2"Female Quick Disconnect	1
5	1000221	Quick Coupler Male 1 1/2" 6000PSI	1
6	1000223	Dust Plug Quick Coupler Male 1 1/2"	1
7	1000224	Dust Cap Quick Coupler Female 1 1/2"	1
8	1001501	Hose 1" 4SH-28L-28L L=15100	2
9	1001504	G28L	2
10	1000717	1 1/2"Female Quick Disconnect	1
11	1000173	GE28I3/4"OMD	1
12	1000715	Dust Cap Quick Coupler Female 3/4"	1
13	1001502	Hose 3/8" 2SN-12L-12L L=15200	4
14	1001503	G12L	4
15	1000713	Clamp Coupler Male 3/8 NPT	1
16	1000714	Clamp coupler female 3/8 NPT	1
17	1001526	GE12L3_8NPT	1
18	1001505	GAI12I3/8NPT	1
19	1000716	Clamp Coupler Dustplug	1
20	1000720	Clamp coupler Dust Cap	1