

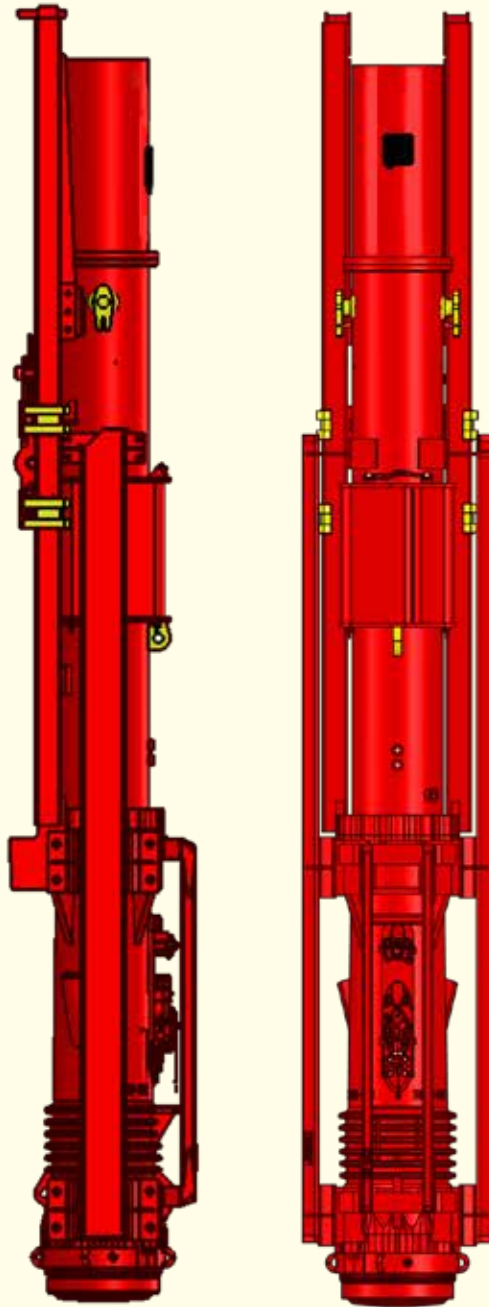


**PILECO INC.**

# Diesel Pile Hammer **D25-32**

*Parts Manual*

**Parts Manual**

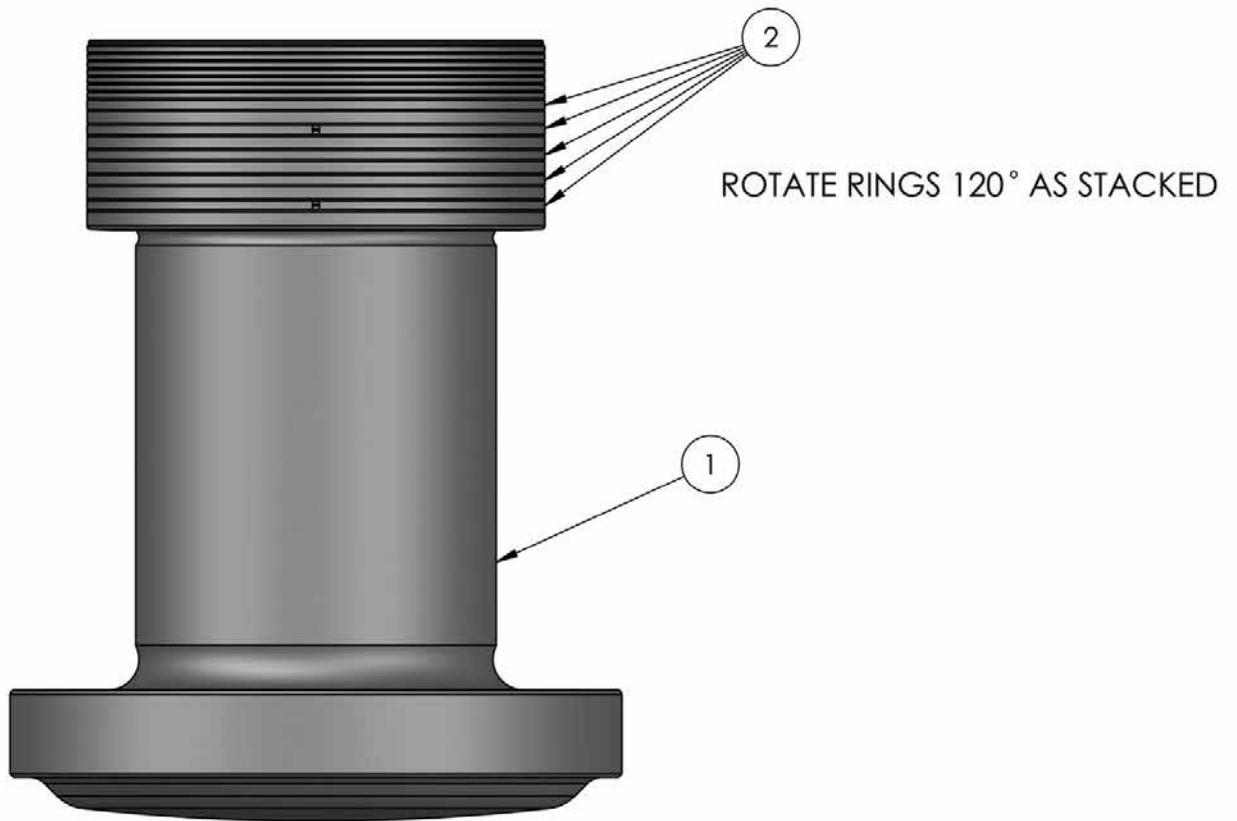




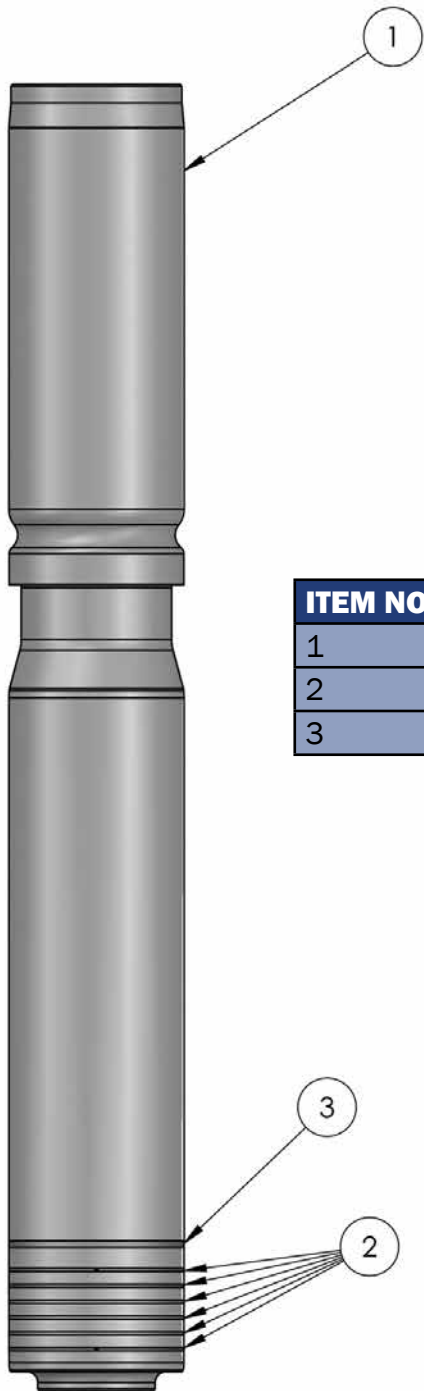
**Contents Page**

<b>Impact Block</b>	<b>page #3</b>
<b>Striking Weight Piston</b>	<b>page #4</b>
<b>Lower Cylinder Complete</b>	<b>page #5</b>
<b>Lube Pump</b>	<b>page #6-8</b>
<b>Cylinder Complete</b>	<b>page #9</b>
<b>Pressure Valve</b>	<b>page #10</b>
<b>Piston Complete</b>	<b>page #11</b>
<b>Lube Pump Rebuild kit</b>	<b>page #12</b>
<b>Variable Delivery Fuel Pump</b>	<b>page #13-18</b>
<b>Pump Element 22mm</b>	<b>page #19</b>
<b>Stop Valve Complete</b>	<b>page #20</b>
<b>Suction Valve Complete</b>	<b>page #21</b>
<b>Check Non Return Valve</b>	<b>page #22</b>
<b>Hydraulic Variable Delivery Fuel Pump</b>	<b>page #23-25</b>
<b>Fuel Pump Control</b>	<b>page #26</b>
<b>Pigtail Installment</b>	<b>page #27</b>
<b>Hydraulic Hand Pump</b>	<b>page #28-29</b>
<b>Manifold Complete</b>	<b>page #30</b>
<b>Hand Pump 1/4" Hose assembly</b>	<b>page #31</b>
<b>Fuel Injection Valve</b>	<b>page #32-34</b>
<b>Fuel Injection Device</b>	<b>page #35-36</b>
<b>Upper Cylinder Complete</b>	<b>page #37-39</b>
<b>Filter Elbow</b>	<b>page #40</b>
<b>Lube Lines with Connectors</b>	<b>page #41</b>
<b>Fuel Line-Breather Line</b>	<b>page #42</b>
<b>Manual Starting Device Trip</b>	<b>page #43-46</b>
<b>Rope Pulley Complete</b>	<b>page #47</b>
<b>Manual Trip Assembly with Starter Guides</b>	<b>page #48</b>
<b>Hydraulic Push Start</b>	<b>page #49-51</b>
<b>Hydraulic Starting Device Trip</b>	<b>page #52-53</b>
<b>Hydraulic Cylinder Complete</b>	<b>page #54-55</b>
<b>Guiding Assembly Hardware Kit</b>	<b>page #57</b>
<b>U-26 X 8 LEAD GUIDING Assembly</b>	<b>page #58</b>
<b>U-32 X 8 LEAD GUIDING Assembly</b>	<b>page #59</b>
<b>U-42 X 8 LEAD GUIDING Assembly</b>	<b>page #60</b>
<b>Spacer Block Kit 6"</b>	<b>page #61</b>
<b>D25/30 Hp Beam Guide Clip</b>	<b>page #62</b>
<b>8" Guide Ext for Helmet</b>	<b>page #63</b>
<b>Pump Guard</b>	<b>page #64</b>
<b>Block Stand</b>	<b>page #65</b>
<b>Tool Box</b>	<b>page #66-67</b>

**Impact Block  
Complete**



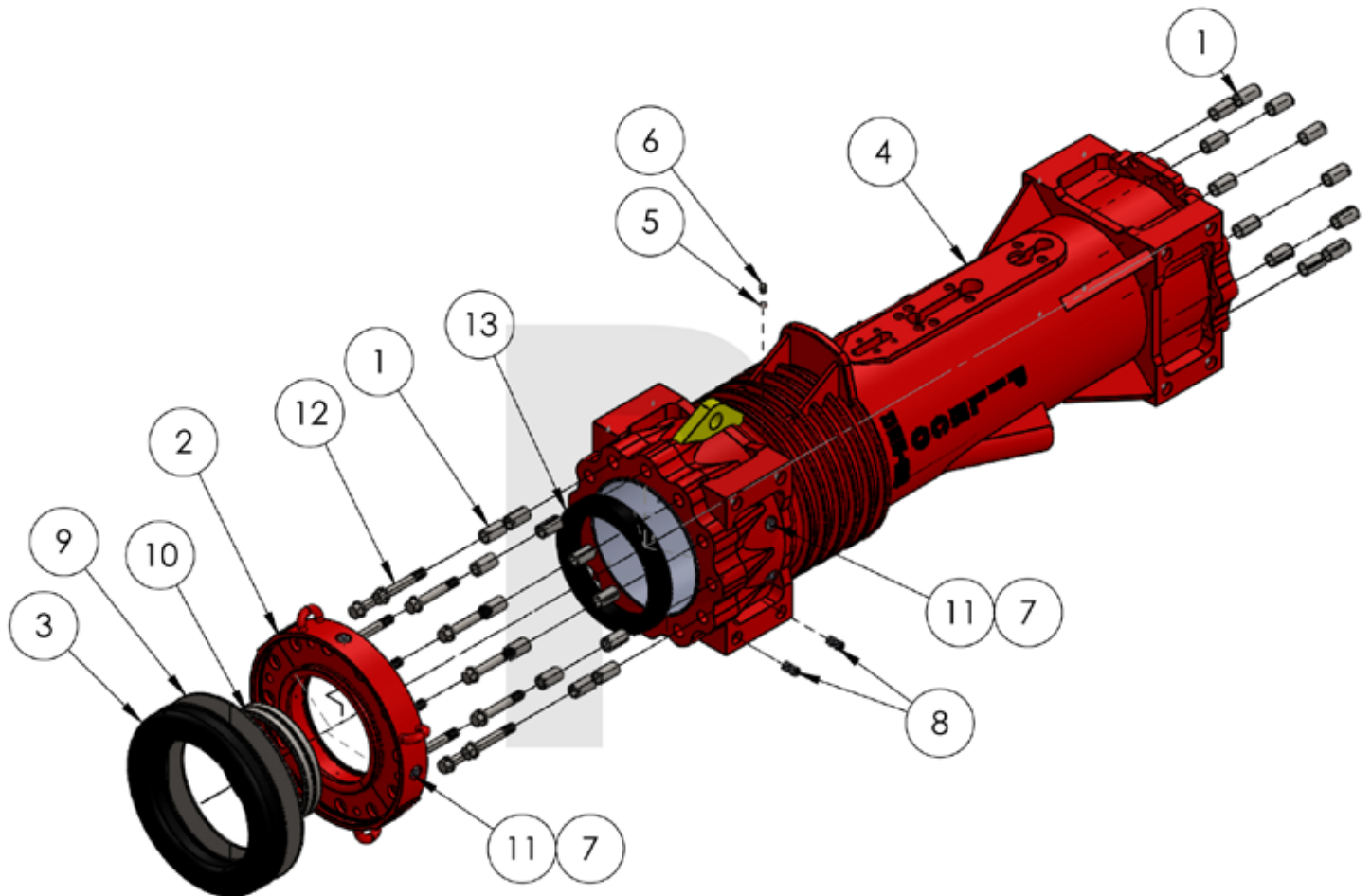
ITEM NO.	PART NUMBER	DESCRIPTION	QTY.
1	120039	IMPACT BLOCK	1
2	21779	PISTON RING	5

**Striking Weight (Piston)  
Complete**


ITEM NO.	PART NUMBER	DESCRIPTION	QTY.
1	204008	STRIKING WEIGHT(PISTON)	1
2	21779	PISTON RING	6
3	21778	CATCH PISTON RING	1

ROTATE RINGS 120° AS STACKED

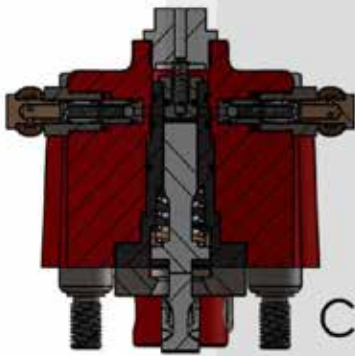
## Lower Cylinder Complete



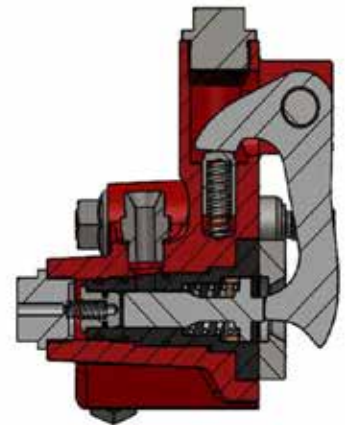
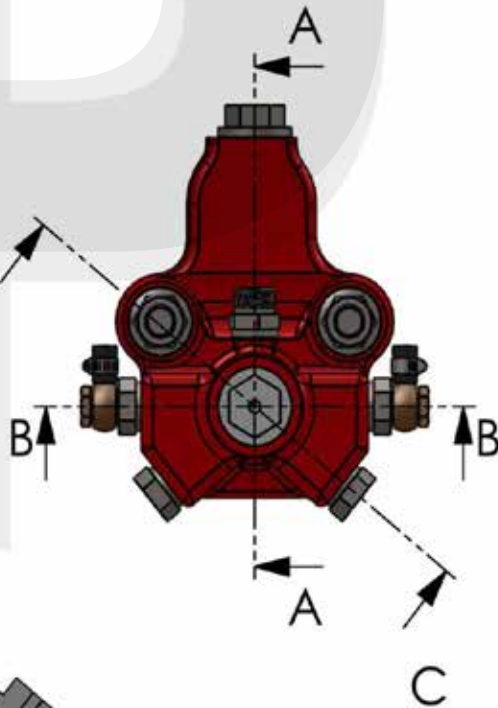
ITEM NO.	PART NUMBER	DESCRIPTION	QTY.
1	95195	40 X 75 DOWEL PIN	24
2	22564	OUTER ENDRING	1
3	22565	RUBBER RING D30/D25	1
4	204005	D25 LOWER CYLINDER PART	1
5	90002	SEALING RING A 18 X 22 DIN 7603-CU	1
6	91460	M18 X 1.5 DIN 910 HEX PLUG	1
7	22592	REDUCER	8
8	95582	THREADED INSERT M24	16
9	204006	RUBBER RING SPACER (2PCS)	1
10	46489	INNER END RING	1
11	90791	GREASE NIPPLE M10 X 1	8
12	20174	M24 X 165 HEX BOLT	12
13	60151	INNER DAMP RING	1



# ***Lube Pump***

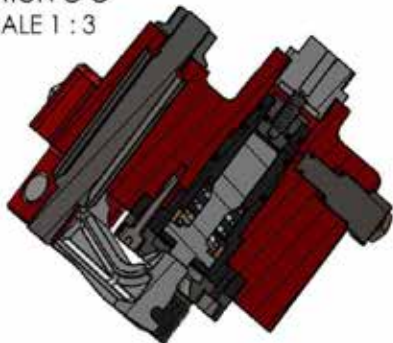


SECTION B-B  
SCALE 1 : 3

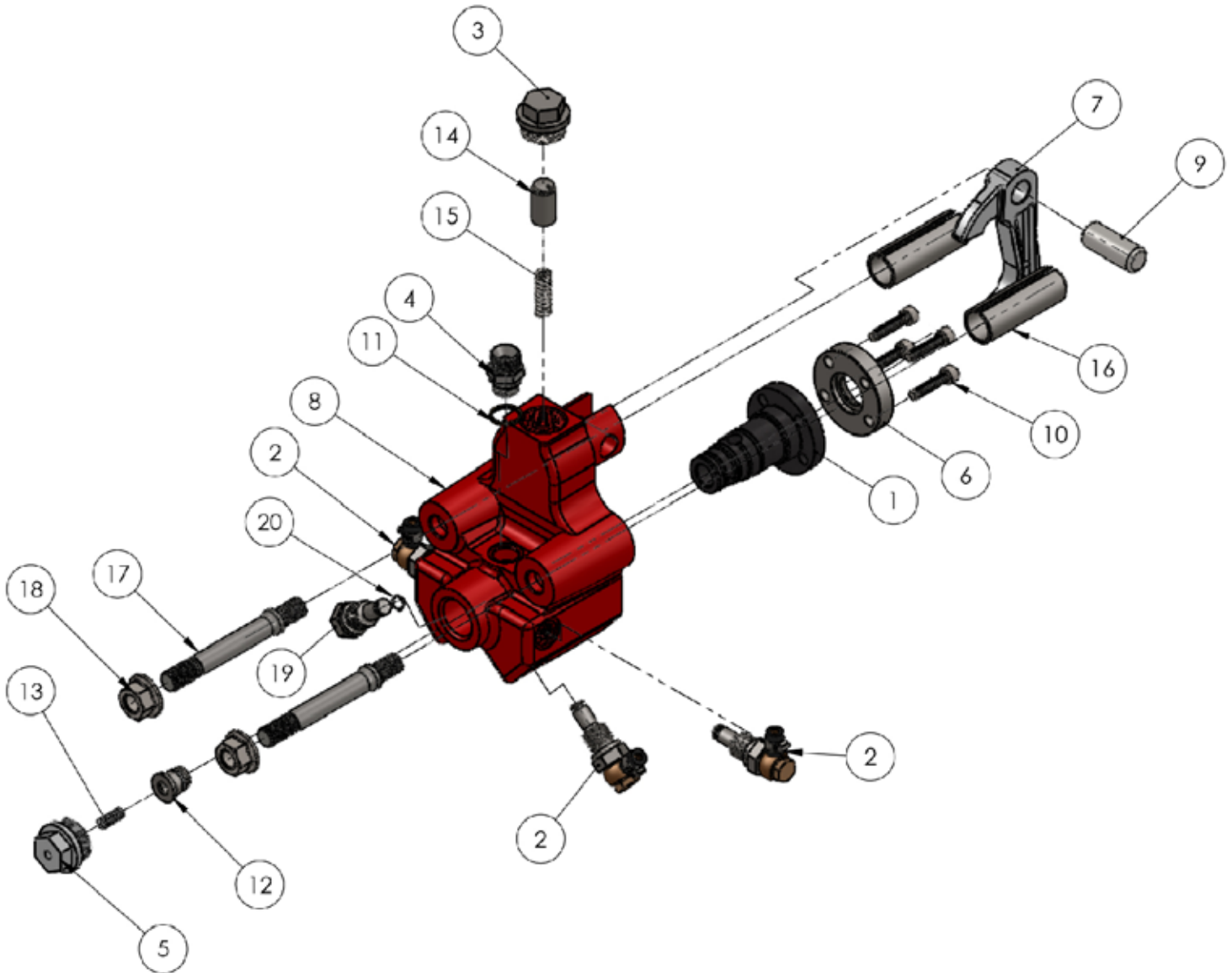


SECTION A-A  
SCALE 1 : 3

SECTION C-C  
SCALE 1 : 3



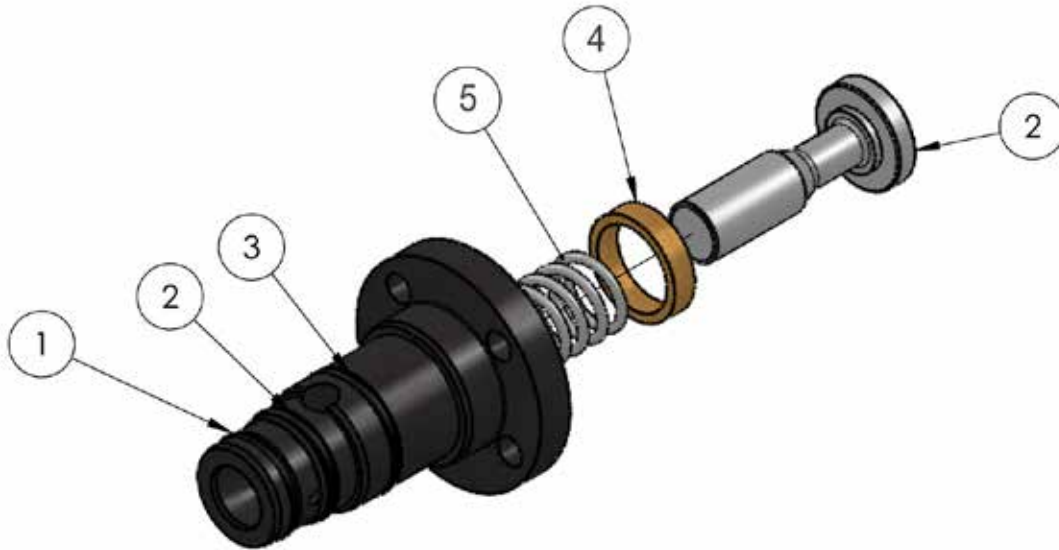
**Lube Pump  
Complete**



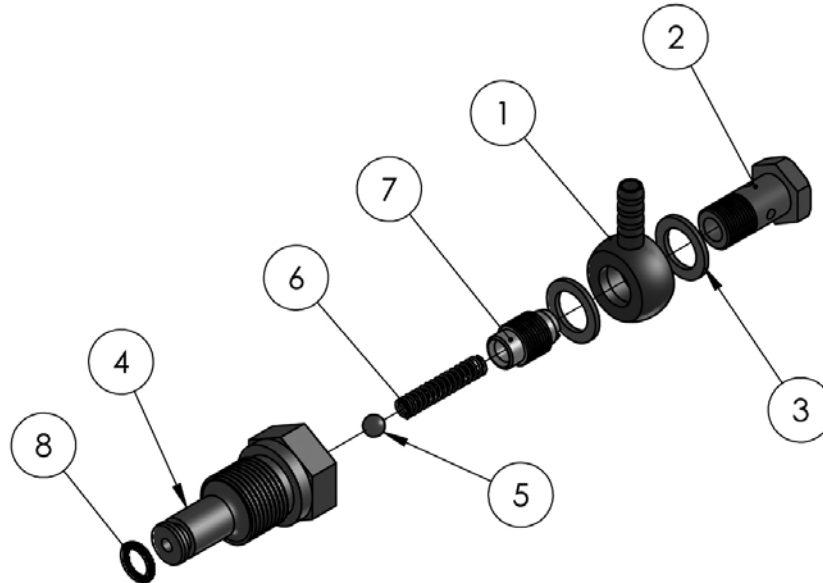
Lube Pump Continued.....

**Lube Pump  
Complete**

ITEM NO.	PART NUMBER	DESCRIPTION	QTY.
1	67279	CYLINDER COMPLETE	1
2	108317	PRESSURE VALVE COMPLETE	3
3	91976	PLUG SCREW	1
4	67290	ADAPTER	1
5	108309	PLUG SCREW	1
6	67282	WASHER	1
7	22081	LUBE PUMP LEVER	1
8	108315	LUBE PUMP BODY	1
9	22082	PUMP LEVER PIN	1
10	90937	M8 x 35 DIN 912 8.8	4
11	92031	SEALING RING A20 X 24	1
12	67284	PISTON COMPLETE	1
13	190479	PRESSURE SPRING 7.3 X 29.4 X 1.2	1
14	22090	SLEEVE	1
15	22089	PRESSURE SPRING 10 X 43 X 2	1
16	94315	DOWEL PIN 28 X 80 DIN 7346	2
17	20189	PUMP STUD M16	2
18	94722	M16 WASHER NUT	2
19	108316	PLUG SCREW	1
20	97855	O RING 8 X 2	1

**Cylinder  
Complete**


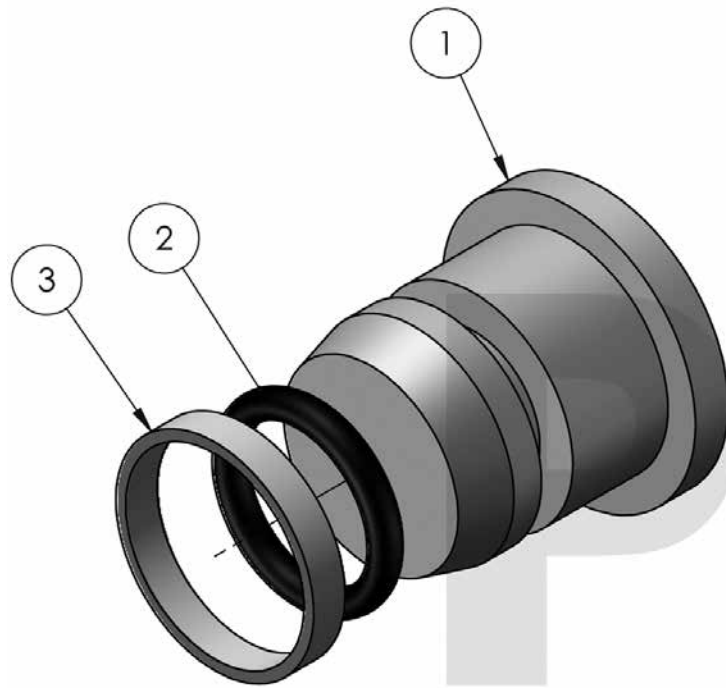
ITEM NO.	PART NUMBER	DESCRIPTION	QTY.
1	205020	O RING 24 X 3	1
2	91357	O RING 26 X 3	1
3	92952	O RING 30 X 3	1
4	67283	RING	1
5	97325	PRESSURE SPRING 22 X 52 X 2, 8	1

**Pressure Valve  
Complete**


ITEM NO.	PART NUMBER	DESCRIPTION	QTY.
1	97949	RING NIPPLE	1
2	97948	HOLLOW SCREW A6 DIN 7623-6.8	1
3	91417	SEALING RING A12 X 15.5 DIN 7603-CU	2
4	108319	ADAPTER	1
5	90307	BALL 6MM DIN 5401	1
6	190005	PRESSURE SPRING 5 X 36 X 0.8	1
7	104679	PLUG SCREW	1
8	97855	8 X 2 O-RING	1

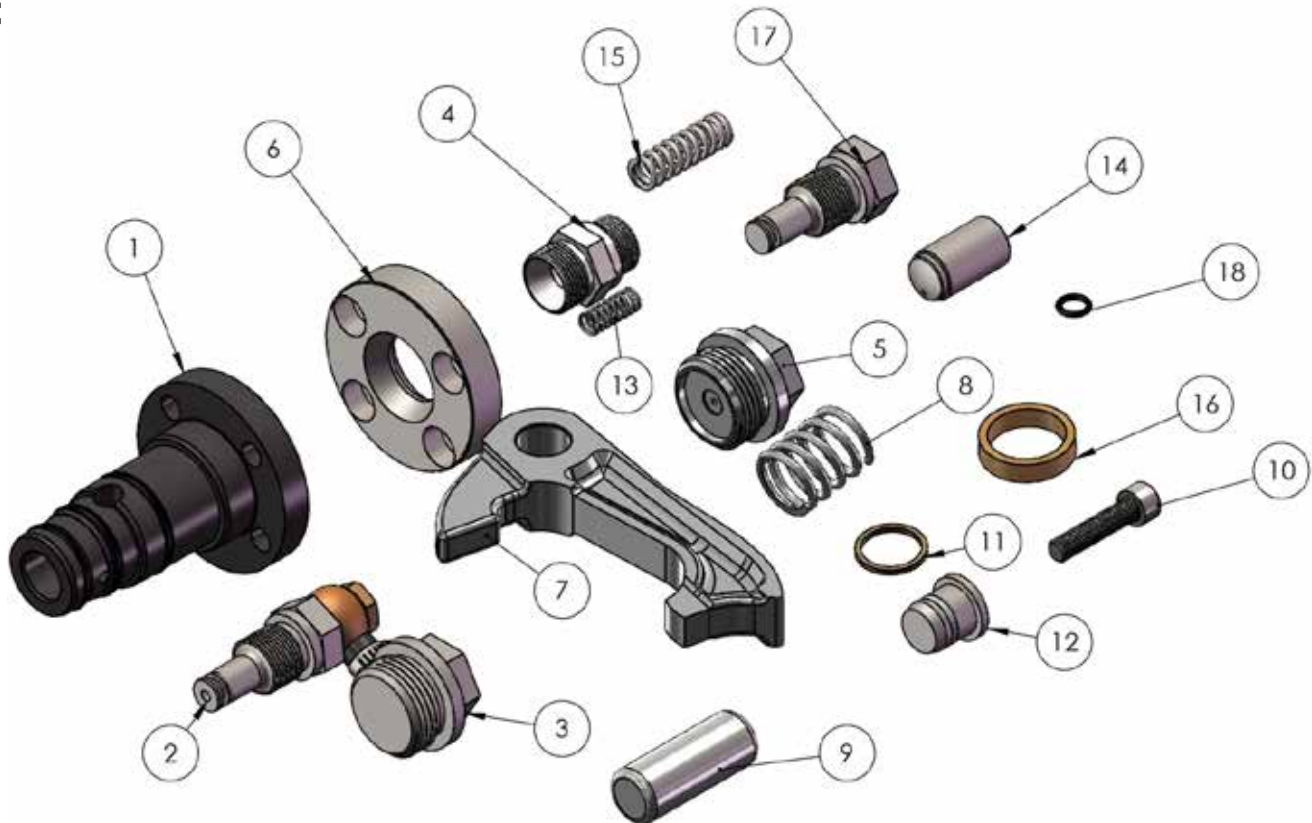
**SOLD  
TOGETHER**

**Piston  
Complete**



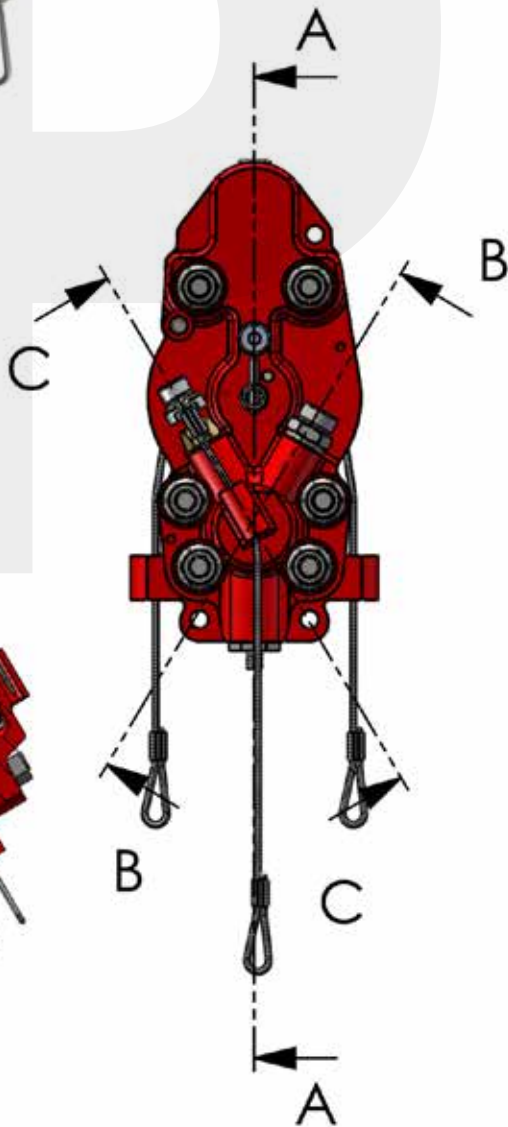
ITEM NO.	PART NUMBER	DESCRIPTION	QTY.
1	67285	PISTON	1
2	97326	O RING	1
3	97326	SLIP RING	1

## Lube Pump Rebuilt Kit

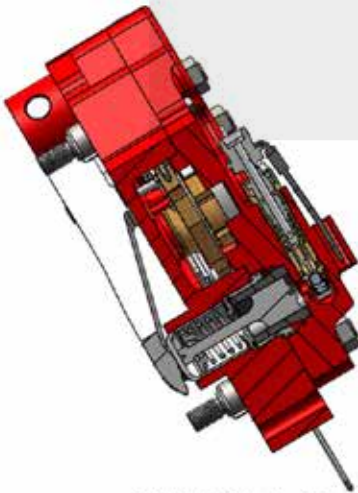
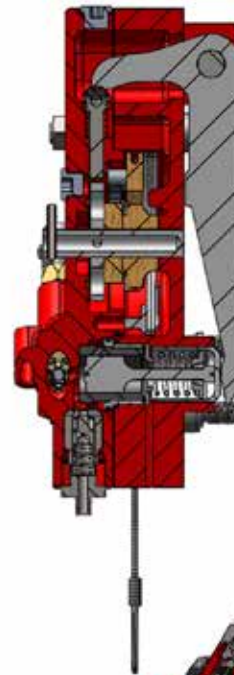


ITEM NO.	PART NUMBER	DESCRIPTION	QTY.
1	67279	CYLINDER COMPLETE	1
2	108317	PRESSURE VALVE COMPLETE	3
3	91976	PLUG SCREW	1
4	67290	ADAPTER	1
5	108309	PLUG SCREW	1
6	67282	WASHER	1
7	22081	LUBE PUMP LEVER	1
8	97325	PRESSURE SPRING 22 X 52 X 2, 8	1
9	22082	PUMP LEVER PIN	1
10	90937	8MM-1.25 X 35 SOCKET HEAD CAP SCREW	4
11	92031	SEALING RING A20 X 24	1
12	67284	PISTON COMPLETE	1
13	190479	PRESSURE SPRING 7, 3 X 29, 4 X 1, 2	1
14	22090	SLEEVE	1
15	22089	PRESSURE SPRING 10 X 43 X 2	1
16	67283	RING	1
17	108316	PLUG SCREW	1
18	97855	O RING 8 X 2	1

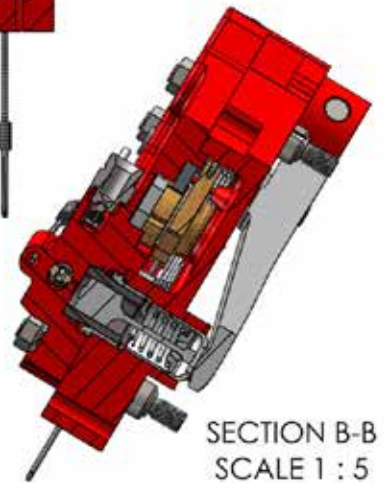
# ***Manual Delivery Fuel Pump***



SECTION A-A  
SCALE 1 : 5

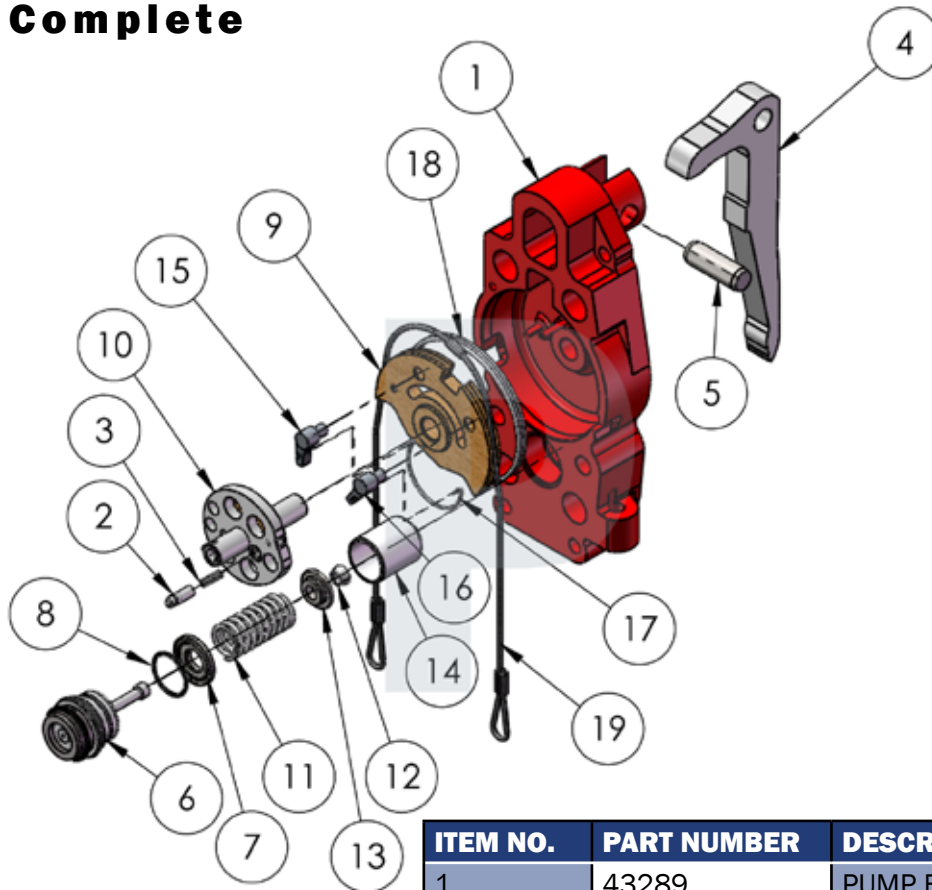


SECTION C-C  
SCALE 1 : 5

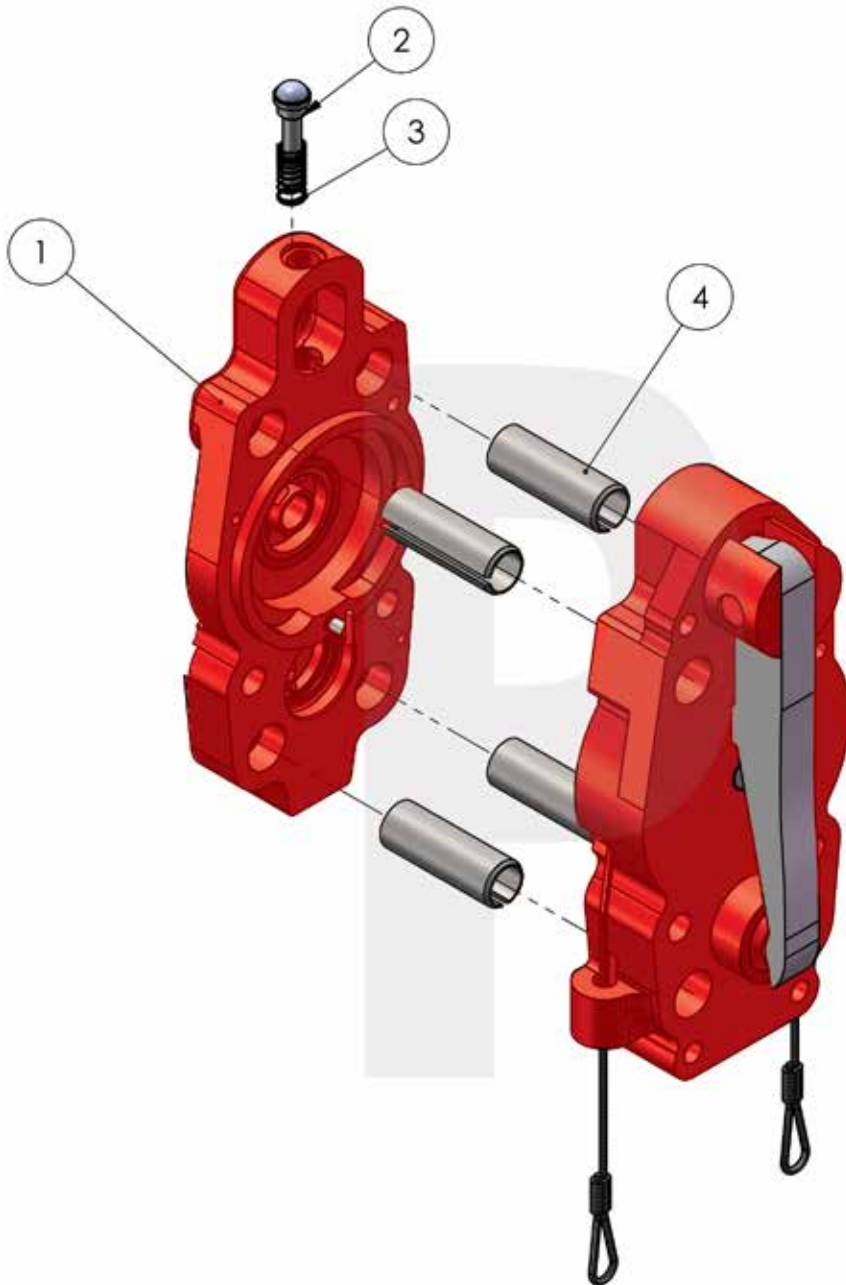


SECTION B-B  
SCALE 1 : 5

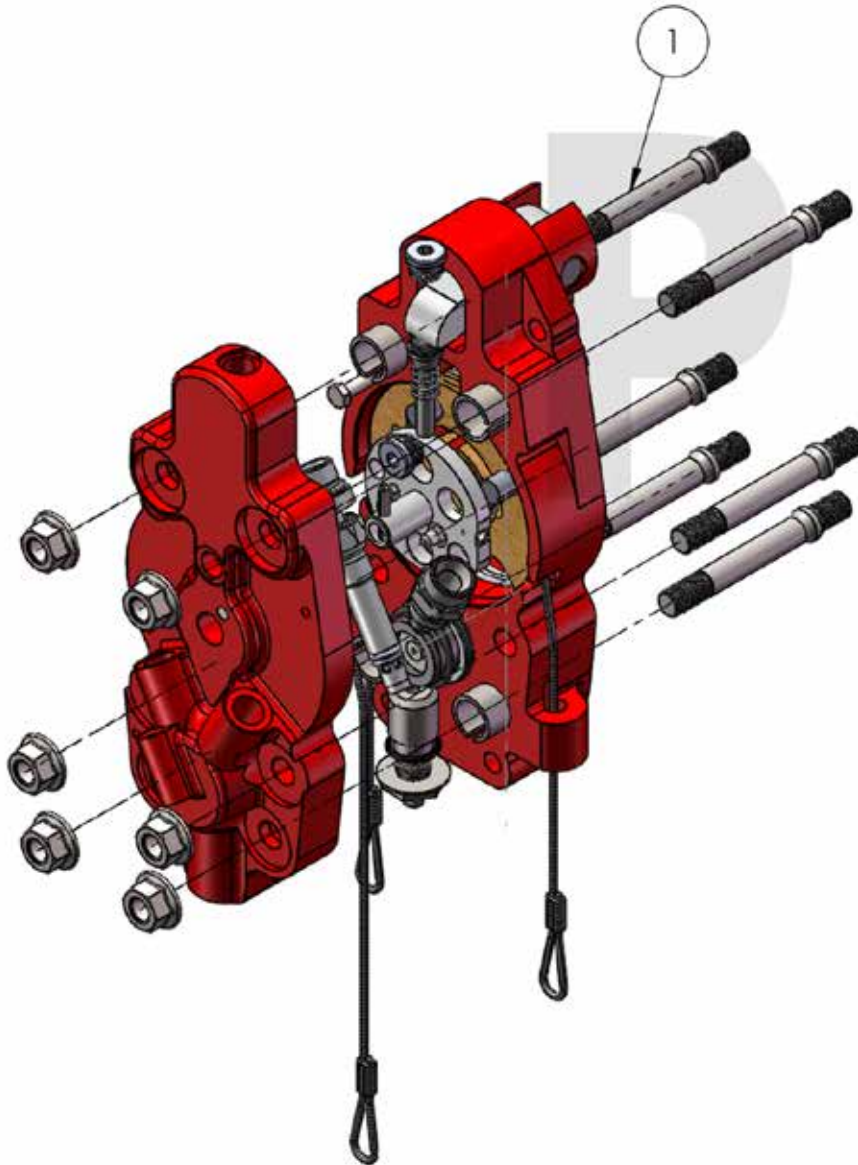
## Variable Delivery Fuel Pump Complete



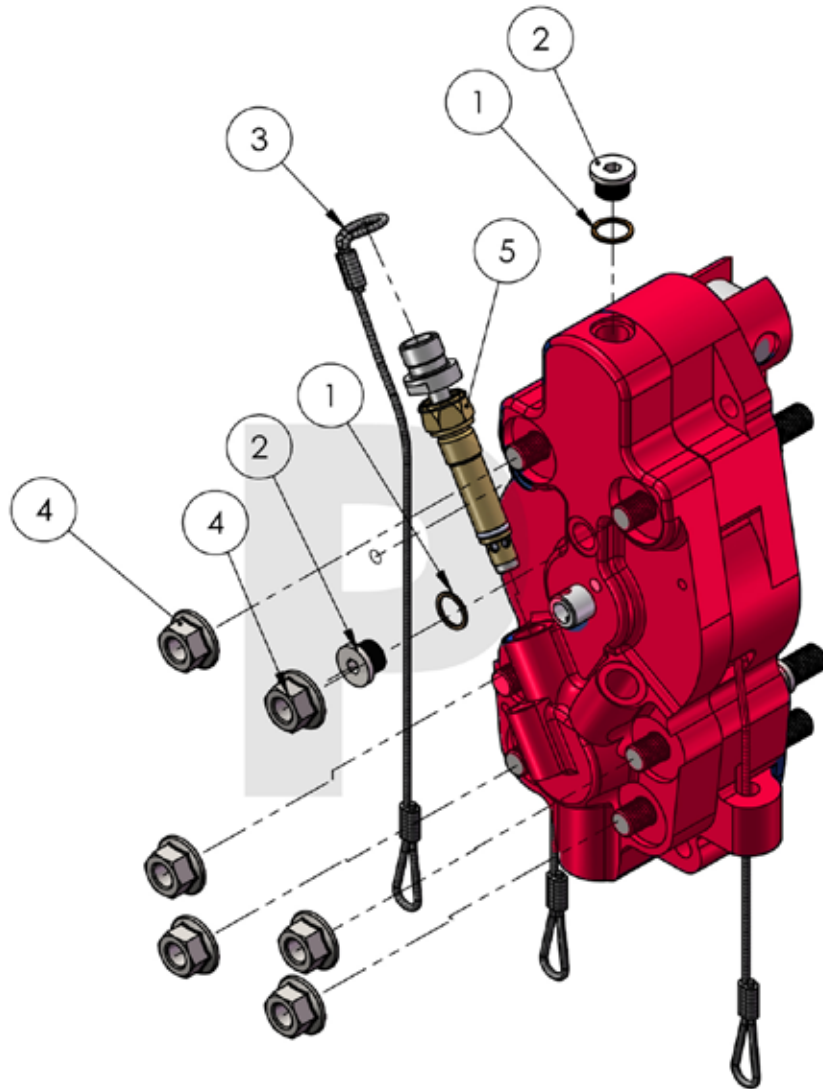
ITEM NO.	PART NUMBER	DESCRIPTION	QTY.
1	43289	PUMP BODY	1
2	22049	SCREEN PIN	1
3	22044	PRESSURE SPRING 5.5 X 20 X 1.2	1
4	41869	PUMP LEVER	1
5	22043	PUMP LEVER PIN	1
6	66522	D25 PUMP ELEMENT 20MM	1
7	43994	HOLDER RING	1
8	92996	ROUND SEALING RING 35 X 2.5	1
9	22040	ROPE DISC	1
10	43308	SWITCH SHAFT	1
11	22060	PRESSURE SPRING 28 X 67.2 X 3.5	1
12	22059	CONICAL RING 2 PCS	1
13	22058	SPRING RETAINING COLLAR	1
14	43287	GUIDE SLEEVE	1
15	22051	CAM	1
16	22052	CAM	1
17	22245	SPRING	1
18	22062	SWIVEL SPRING	1
19	17546	REGULATION ROPE	1

**Variable Delivery Fuel Pump  
Complete**


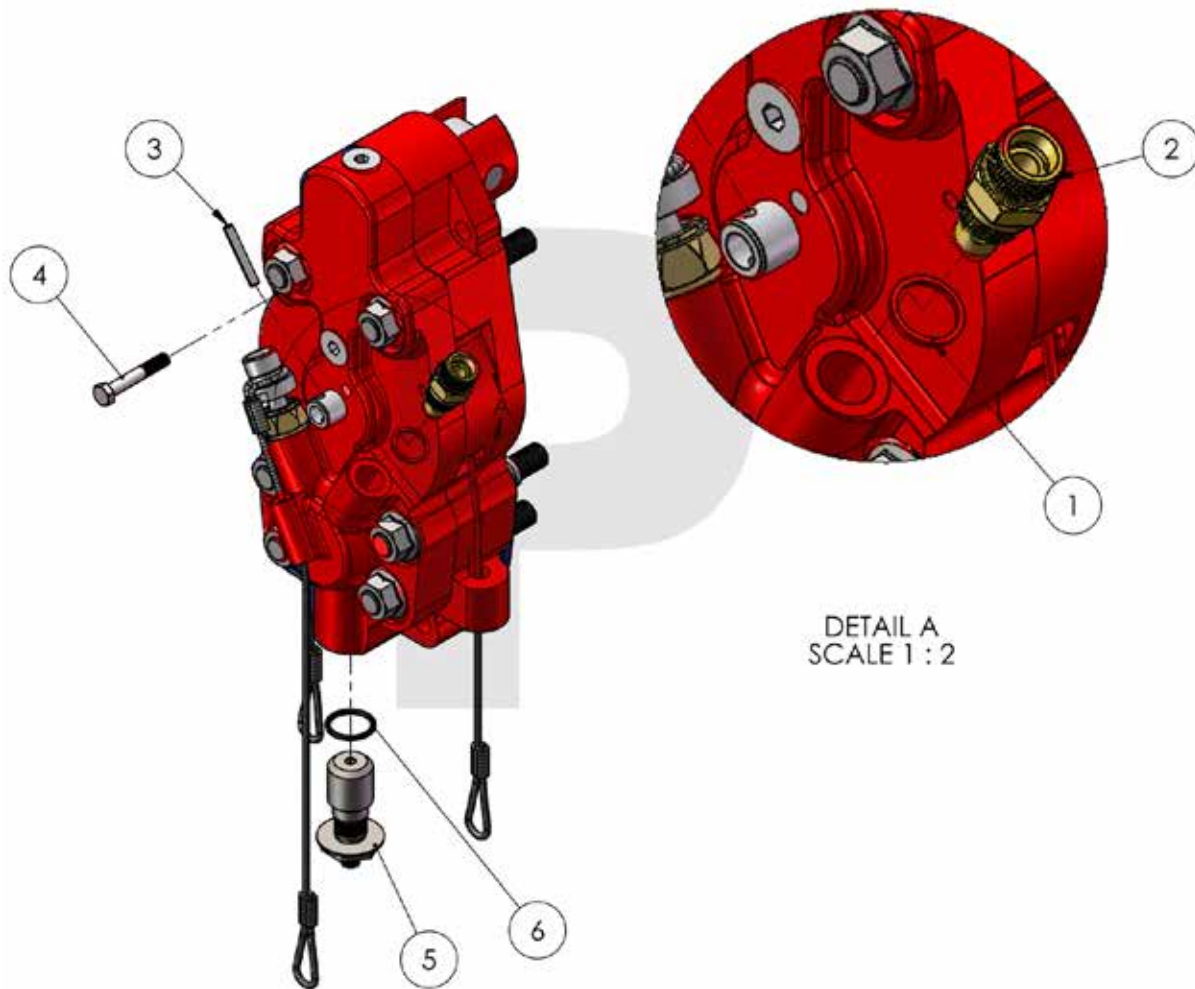
ITEM NO.	PART NUMBER	DESCRIPTION	QTY.
1	43291	PUMP COVER	1
2	62125	PRESSURE PIECE	1
3	22046	PRESSURE SPRING	1
4	94315	DOWEL PIN 28 X 80	4

**Variable Delivery Fuel Pump  
Complete**


ITEM NO.	PART NUMBER	DESCRIPTION	QTY.
1	20189	PUMP STUD M16	6

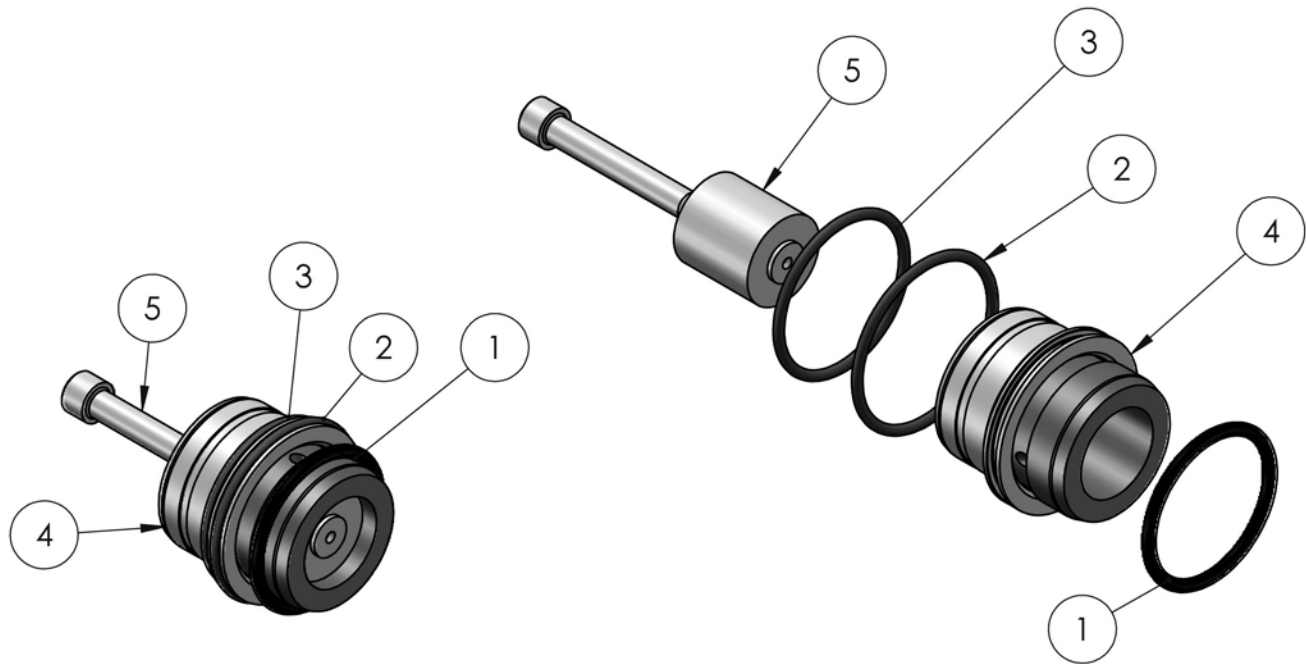
**Variable Delivery Fuel Pump  
Complete**


ITEM NO.	PART NUMBER	DESCRIPTION	QTY.
1	90002	SEALING RING A18 X 22	2
2	93055	PLUG SCREW M18 X 1.5	2
3	17546	REGULATING ROPE	1
4	94722	M16 WASHER NUT	6
5	41868	STOP VALVE COMPLETE	1

**Variable Delivery Fuel Pump  
Complete**


ITEM NO.	PART NUMBER	DESCRIPTION	QTY.
1	92031	SEALING RING A20 X 24	1
2	41863	SUCTION VALVE	1
3	90150	DOWEL PIN 6 X 40	1
4	93456	LOCKING SCREW M8 X 50	1
5	43296	CHECK NON-RETURN VALVE COMPLETE	1
6	91296	O-RING 22 X 3	1

## 20mm Pump Element Complete

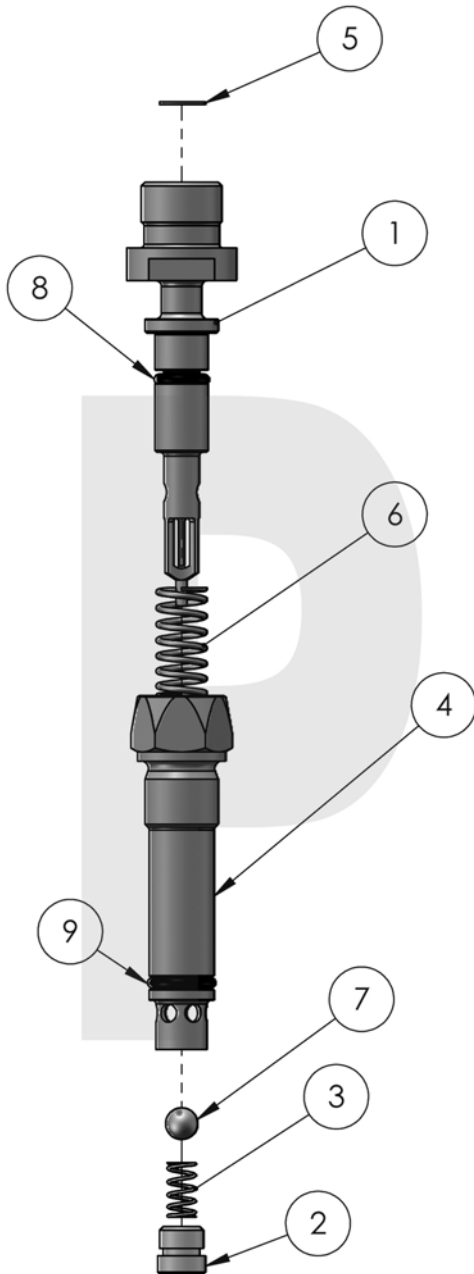


**Sold as one complete unit!**

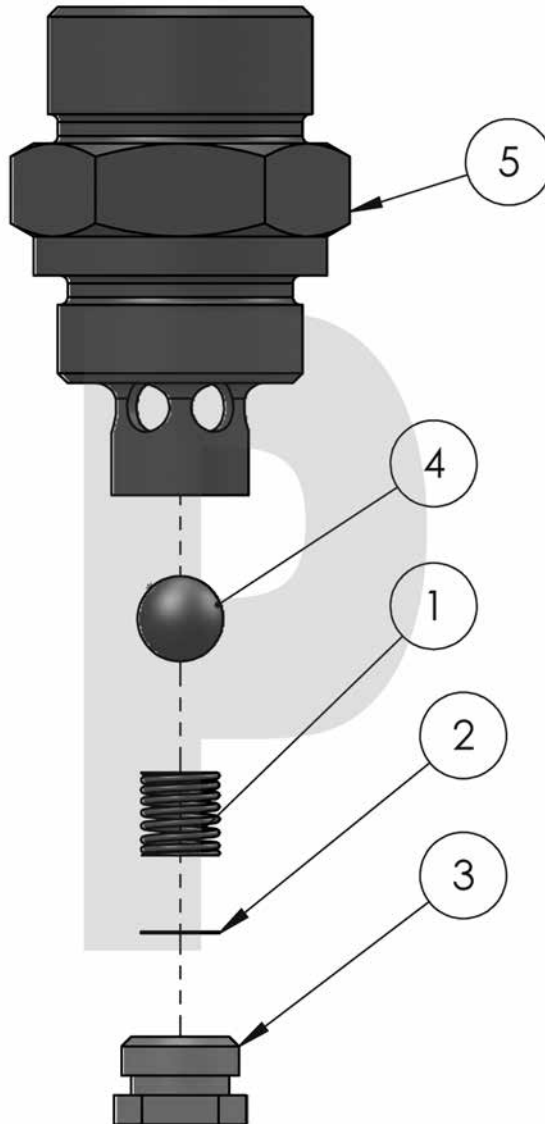
ITEM NO.	PART NUMBER	DESCRIPTION	QTY.
1	95933	O-RING 42 X 3	1
2	91322	O-RING 44 X 3	1
3	91339	O-RING 40 X 2.5	1
4	66522	20MM ELEMENT BODY	1
5	66522	20MM ELEMENT PLUNGER	1

TOGETHER

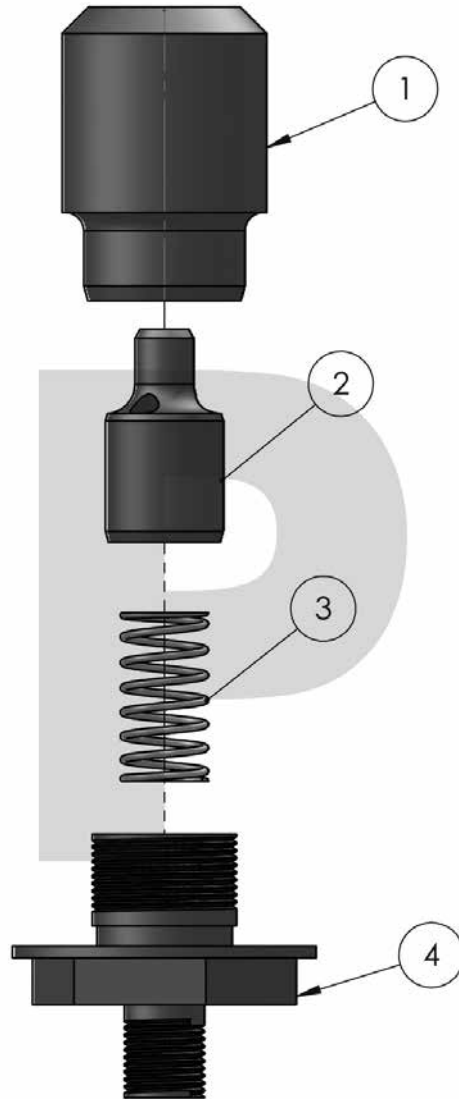
## Stop Valve Complete



ITEM NO.	PART NUMBER	DESCRIPTION	QTY.
1	43138	VALVE PISTON	1
2	22021	THREADED PLUG	1
3	98929	PRESSURE SPRING	1
4	43130	VALVE SCREW	1
5	95768	CIRCLIP 20 X 1	1
6	43279	PRESSURE SPRING	1
7	98511	BALL 8.731MM	1
8	91894	O-RING 8 X 3	1
9	94316	O-RING 12 X 3	1

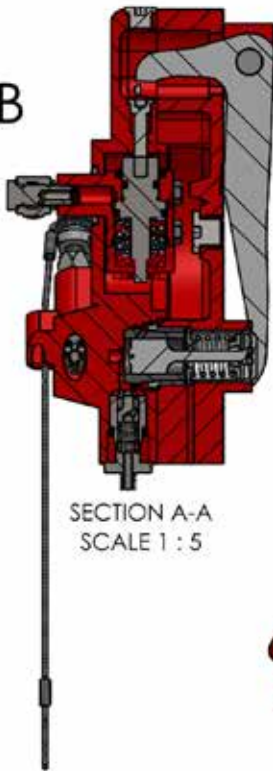
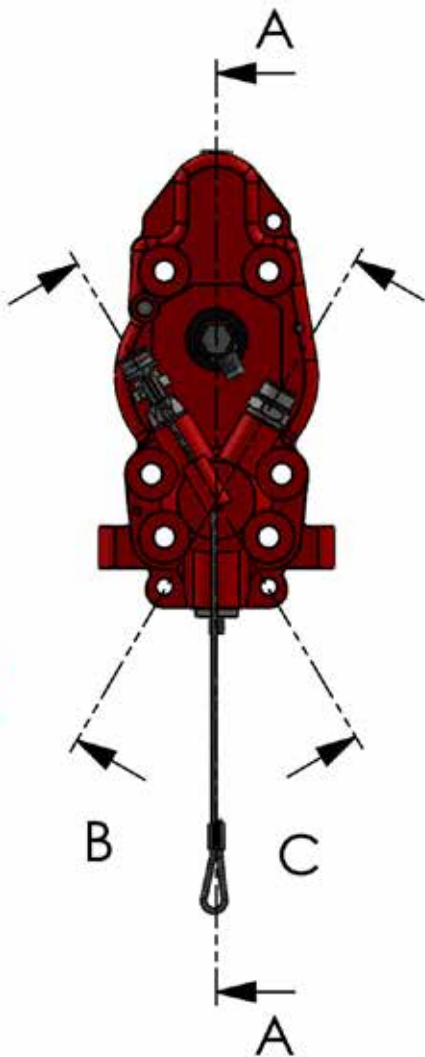
**Suction Valve  
Complete**


ITEM NO.	PART NUMBER	DESCRIPTION	QTY.
1	22022	PRESSURE SPRING 7.3 X 8 X 0.7	1
2	22023	WASHER	2
3	41862	THREADED PLUG	1
4	98511	BALL 8.731MM	1
5	41861	SLEEVE	1

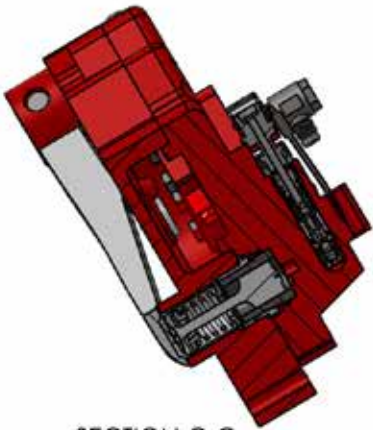
**Check Non-Return Valve  
Complete**


ITEM NO.	PART NUMBER	DESCRIPTION	QTY.
1	43297	HOUSING	1
2	43299	VALVE PISTON	1
3	22034	PRESSURE SPRING	1
4	43298	RING TYPE NIPPLE	1

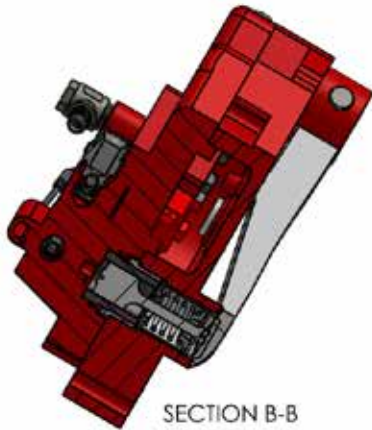
# Hydraulic Delivery Fuel Pump



SECTION A-A  
SCALE 1 : 5

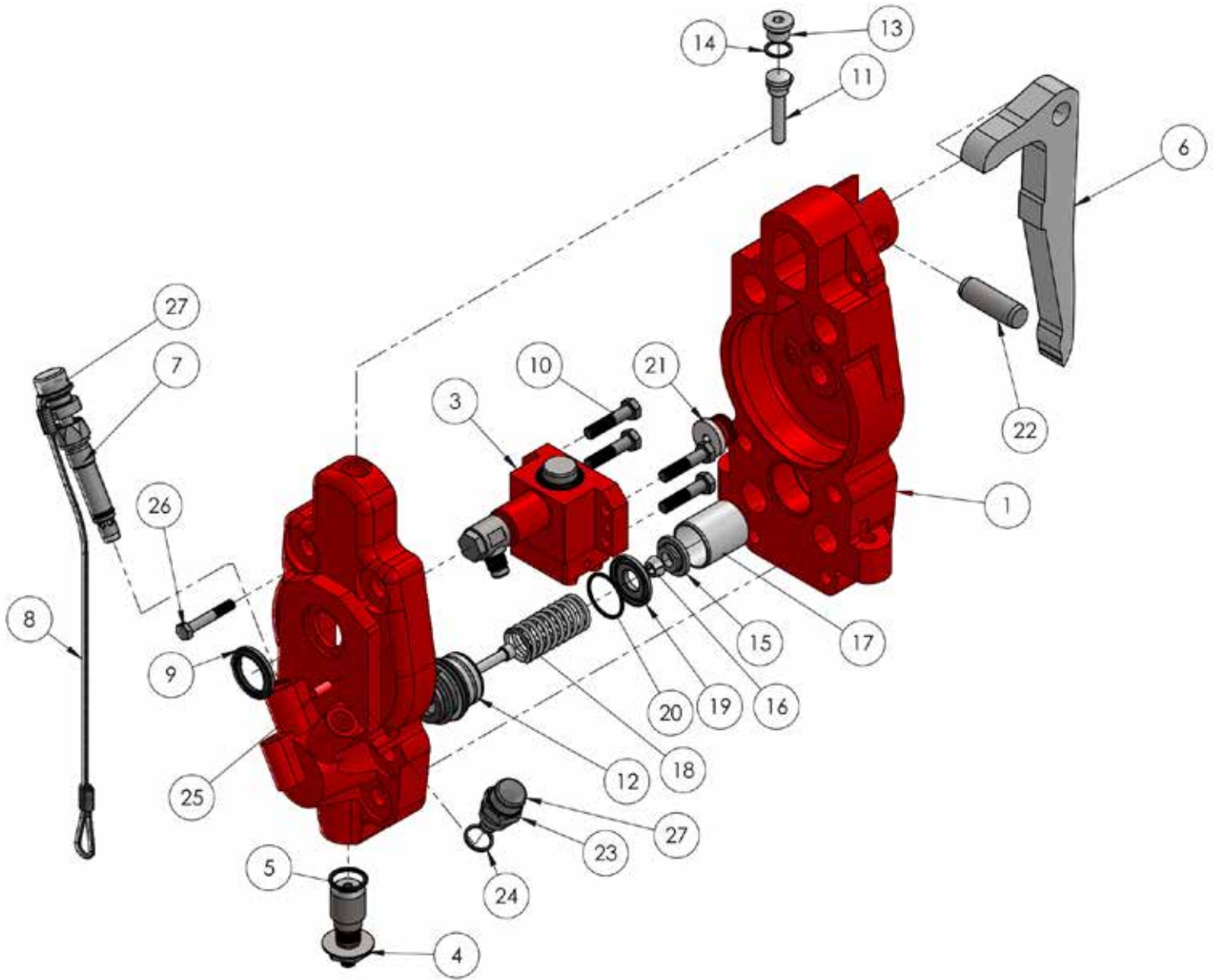


SECTION C-C  
SCALE 1 : 5



SECTION B-B  
SCALE 1 : 5

**Hydraulic Variable Delivery Fuel Pump  
Complete**

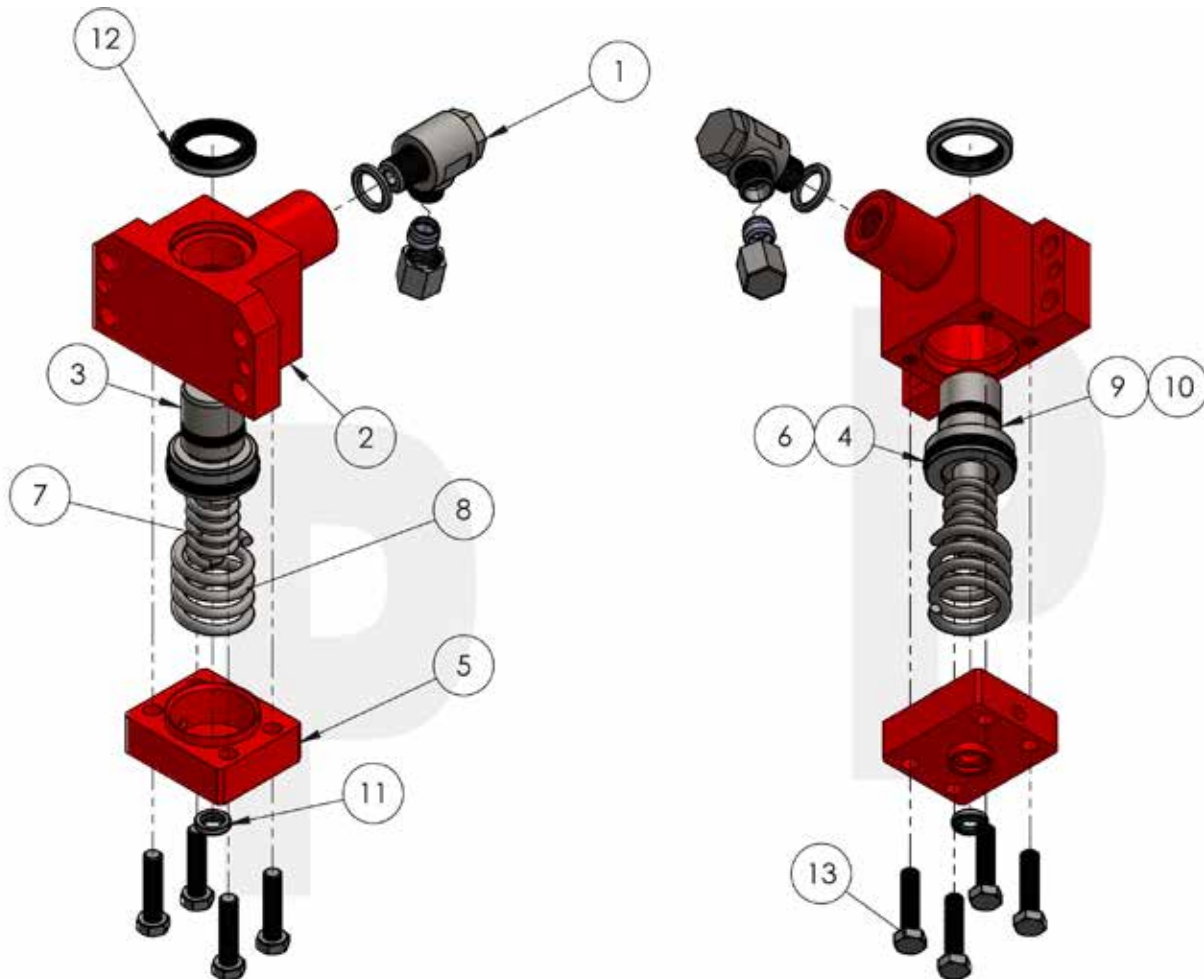


**Hydraulic Variable Fuel Pump Continued.....**

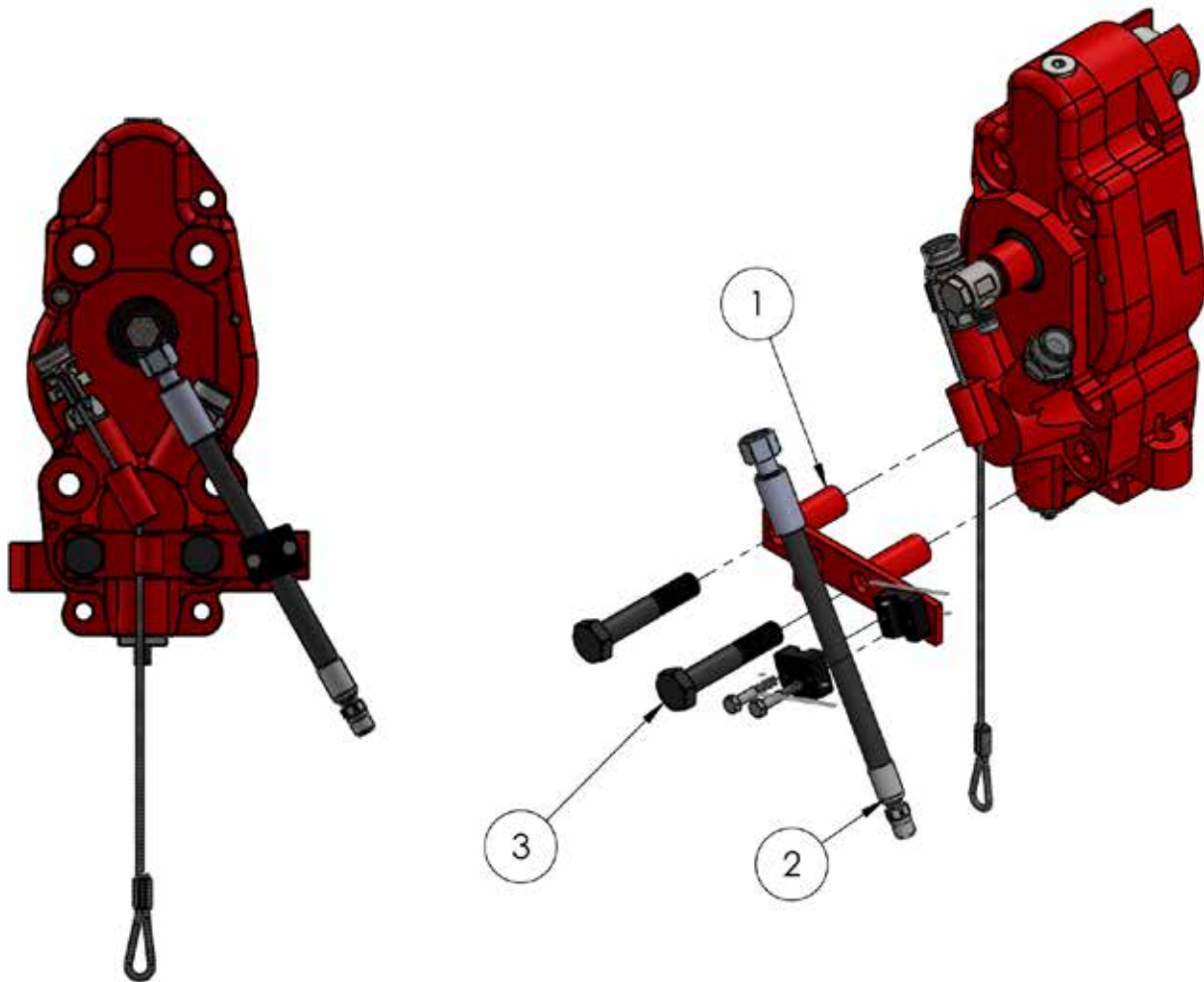
## Hydraulic Variable Delivery Fuel Pump Complete

ITEM NO.	PART NUMBER	DESCRIPTION	QTY.
1	205503	PUMP BODY	1
2	205508	PUMP COVER	1
3	122446-C	FUEL PUMP CONTROL COMPLETE	1
4	43296	CHECK NON RETURN VALVE COMPLETE	1
5	91296	O RING 22 X 3	1
6	41869	PUMP LEVER	1
7	41868	STOP VALVE COMPLETE	1
8	17546	REGULATING ROPE	1
9	205507	DUST RING	1
10	93414	10-1.5 X 30 HEX HEAD CAPSCREW 8.8	4
11	205501	PRESSURE PIECE	1
12	66522	D25 PUMP ELEMENT 20MM	1
13	93055	PLUG SCREW 18 X 1.5	1
14	90002	SEALING RING 18 X 22	1
15	22058	SPRING RETAINING COLLAR	1
16	22059	CONICAL RING 2 PCS	1
17	43287	GUIDE SLEEVE	1
18	22060	PRESSURE SPRING 28 X 67.2 X 3.5	1
19	43995	HOLDER RING	1
20	92996	ROUND SEALING RING 35 X 2.5	1
21	91885	PLUG SCREW M26 X 1.5	1
22	22043	PIN	1
23	41863	SUCTION VALVE	1
24	92031	SEALING RING A20 X 24	1
25	205506	DOWEL PIN 8 X 20	1
26	93456	LOCKING SCREW M8 X 50	1
27	93236	PROTECTION CAP	2

## Fuel Pump Control Complete

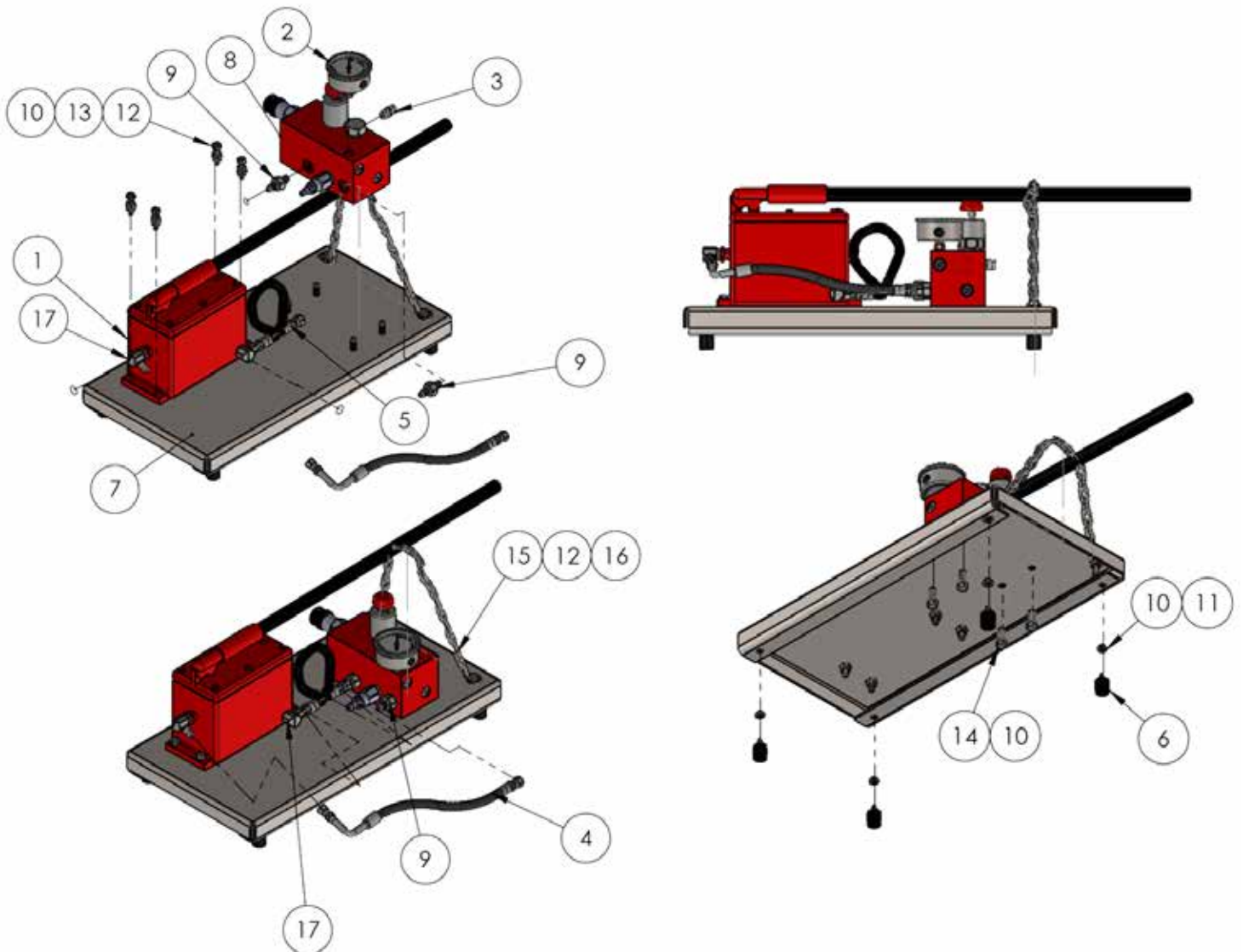


ITEM NO.	PART NUMBER	DESCRIPTION	QTY.
1	205509	METRIC BITE TYPE FITTING M16 X 1.5	1
2	126538-C	CYLINDER	1
3	126539	PISTON	1
4	193444	O-RING 32.93 X 3.53	1
5	126537-C	COVER	1
6	193446	BACK UP RING	1
7	193451	PRESSURE SPRING	1
8	193450	PRESSURE SPRING	1
9	193445	O-RING 20.22 X 3.53	1
10	193447	BACK UP RING	1
11	193448	ROD WIPER	1
12	193449	ROD WIPER	1
13	94989	8-1.25 X 35 HEX HEAD CAPSCREW	4

**Pigtail Installment**


ITEM NO.	PART NUMBER	DESCRIPTION	QTY.
1	205505	HYDRAULIC FUEL PUMP HOSE CLAMP	1
2	8001063	HYDRAULIC FUEL PUMP PIGTAIL HOSE	1
3	205504	16MM-2.0 X 90MM HEX HEAD CAP SCREW 8.8	2

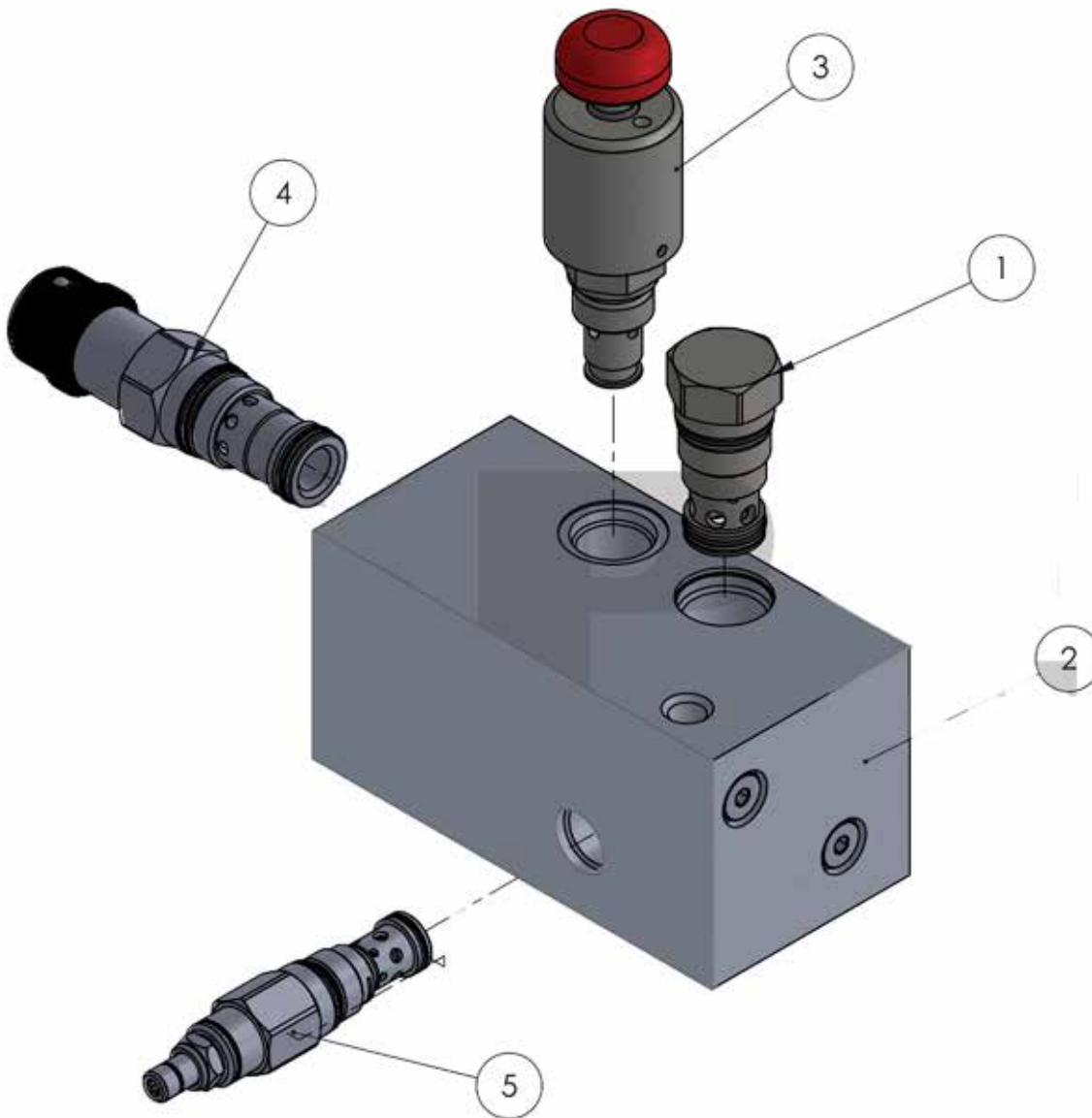
# Hydraulic Hand Pump Assembly



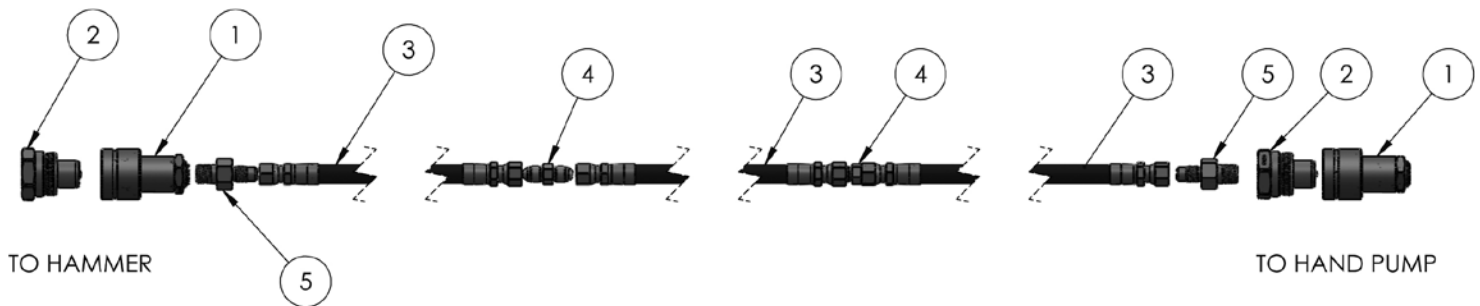
## Hydraulic Hand Pump Assembly

### Hydraulic Hand Pump Continued....

ITEM NO.	PART NUMBER	DESCRIPTION	QTY.
1	55107	P-51 ENERPAC PUMP	1
2	55120	G25-SL600-CB SS PRESSURE GAUGE	1
3	55121	4SAE MALE TO 1/4 NPT MALE ADAPTER	1
4	55104	1/4 JIC FEMALE SWIVEL FITTING TO 1/4 JIC FEMALE SWIVEL 1/4 PRESSURE HOSE	1
5	55109	1/4 JIC FEMALE SWIVEL FITTING TO 1/4 JIC FEMALE SWIVEL HOSE TO TANK	1
6	55122	RUBBER FOOT 1" X 1" - 5/16-18 X 3/4 BOLT	4
7	55105	PLATE	1
8	55103	MANIFOLD COMPLETE	1
9	55123	4 SAE MALE TO 1/4 JIC MALE STRAIGHT ADAPTER	2
10	8001049	5/16 SPLIT LOCK WASHER	17
11	55125	M6-1.0 JAM NUT	4
12	8001050	5/16-18 X 1 1/4 HEX HEAD CAP SCREW	6
13	1137184	10MM-1.5 NYLON INSERT LOCKNUT	6
14	8005969	5/16-18 X 1 HEX HEAD CAP SCREW GR 5	4
15	55108	CHAIN LINK #2/0 X 16"	1
16	8005970	5/16 FLAT WASHER	2
17	8005975	1/4 MALE JIC TO 1/4" FEMALE NPT FITTING	2

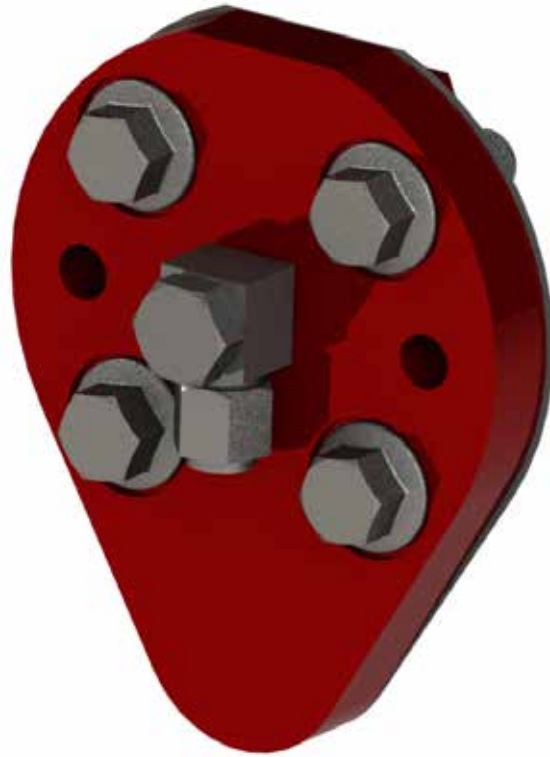
**Manifold  
Complete**


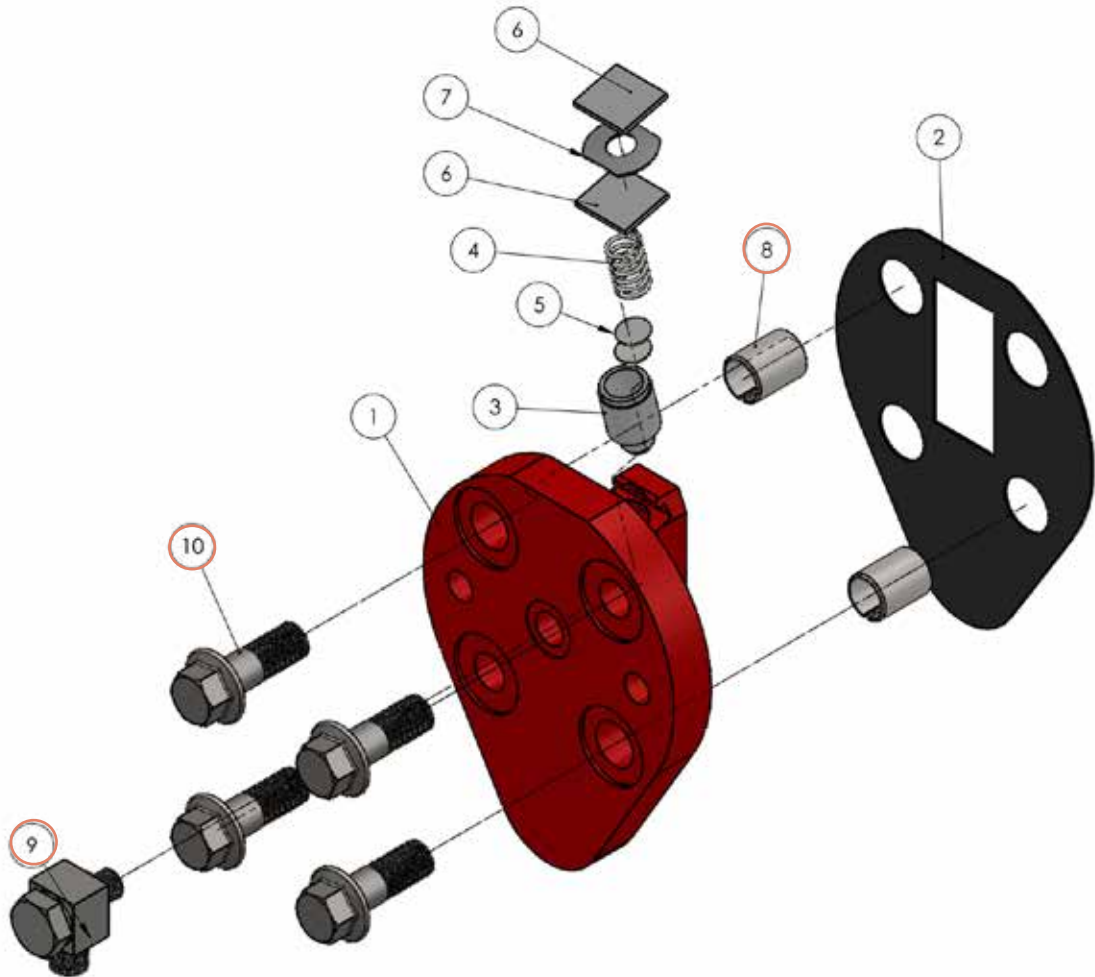
ITEM NO.	PART NUMBER	DESCRIPTION	QTY.
1	55110	CXFA-XCN DIRECTION CHECK	1
2	55106	MANIFOLD	1
3	55111	DOERING DUMP VALVE	1
4	55112	NEEDLE VALVE	1
5	55113	RELIEF VALVE	1

**HAND PUMP 1/4" HOSE ASSEMBLY  
150FT IN 50FT SECTIONS**


ITEM NO.	PART NUMBER	DESCRIPTION	QTY.
1	55133	1/4" COUPLER NPFT SCREW TYPE QUICK DISCONNECT FEMALE	2
2	55134	1/4" 3000 SERIES NIPPLE NPFT SCREW TYPE QUICK DISCONNECT MALE	2
3	8000440	4 FEMALE JIC TO 4 FEMALE JIC 1/4 HOSE 50FT	3
4	55137	4 JIC MALE TO 4 JIC MALE STRAIGHT ADAPTER	2
5	8001067	1/4 NPT MALE TO 1/4 JIC MALE STRAIGHT ADAPTER	2

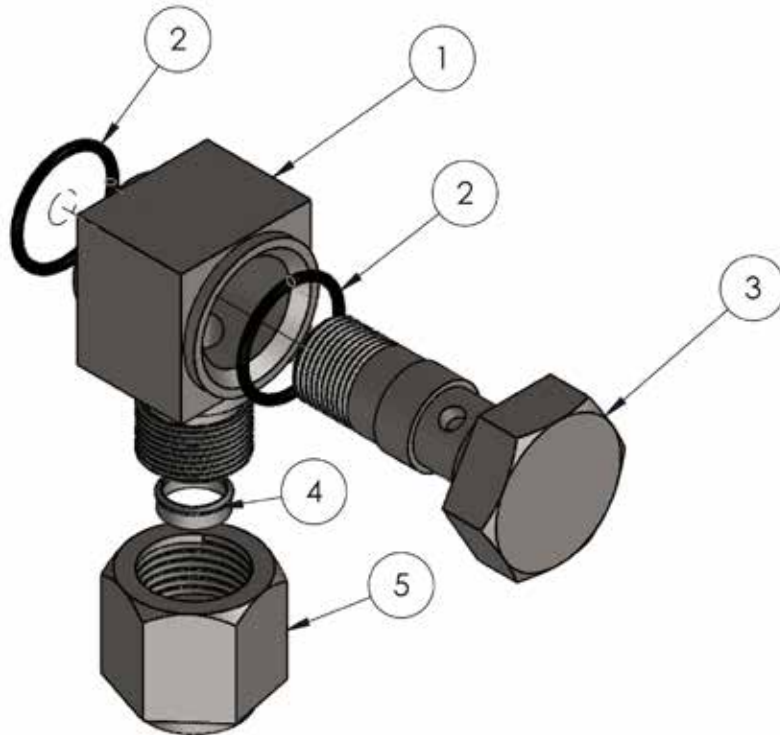
# ***Fuel Injection***



**Fuel Injection Valve  
Complete**


ITEM NO.	PART NUMBER	DESCRIPTION	QTY.
1	102133	INJECTION PLATE	1
2	45647	GASKET	1
3	63843	VALVE PISTON	1
4	97569	PRESSURE SPRING	1
5	97573	ADJUSTING WASHER	2
6	64460	LOCKING PLATE	2
7	64461	SPRING WASHER	1
8 <b>sold separately</b>	95633	DOWEL PIN 21 X 28 DIN 7346	2
9 <b>sold separately</b>	97038	THREADED PIPE JOINT (UNION)	1
10 <b>sold separately</b>	95639	LOCKING SCREW M16 X 45	4

## Threaded Pipe Joint Complete

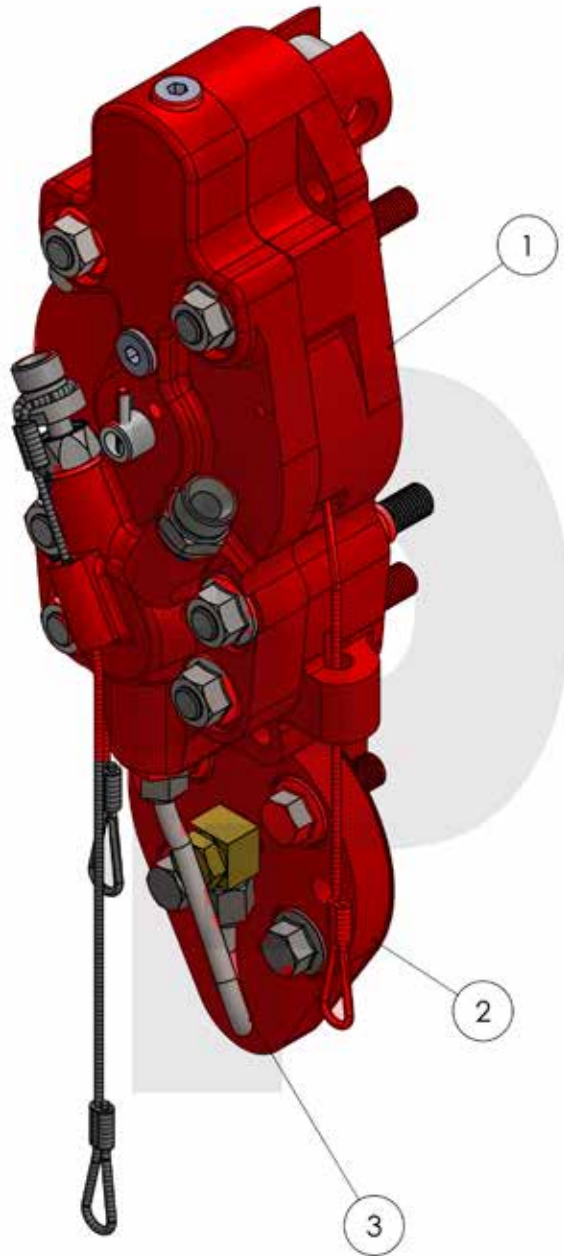


**NOTE:** ITEM SHOULD BE REPLACED WITH NEW PIPE JOINT COMPLETE WHEN REMOVED FOR SERVICING

**#1 SOLD COMPLETE**

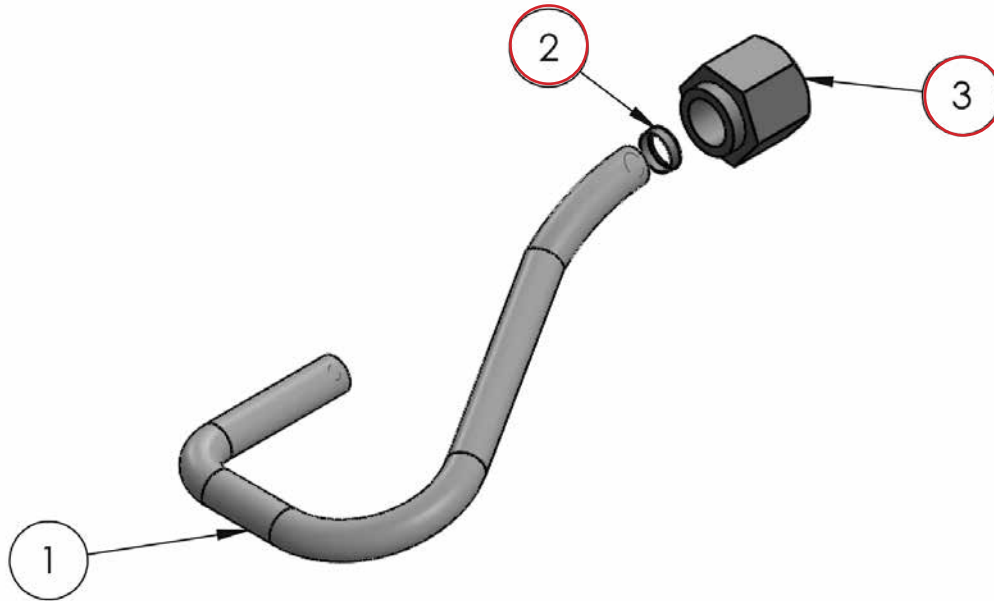
ITEM NO.	PART NUMBER	DESCRIPTION	QTY.
<b>1</b>	<b>97038</b>	THREADED PIPE JOINT	<b>1</b>
2	97258	O RING 17 X 1.5	2
3	210405	HOLLOW SCREW	1
<b>4</b>	<b>90127</b>	OLIVE	<b>1</b>
<b>5</b>	<b>204012</b>	UNION NUT M16X1.5	<b>1</b>

**SOLD  
TOGETHER**

**Fuel Injection Device  
Complete**


ITEM NO.	PART NUMBER	DESCRIPTION	QTY.
1	204010	VARIABLE-DELIVERY FUEL PUMP D25	1
2	104675	INJECTION VAVLE COMPLETE	1
3	104974	FUEL TUBE COMPLETE	1

## Fuel Tube Assembly



**NOTE:** FUEL TUBE , NUT, AND OLIVE SHALL BE REPLACED IF REMOVED DURING SERVICE

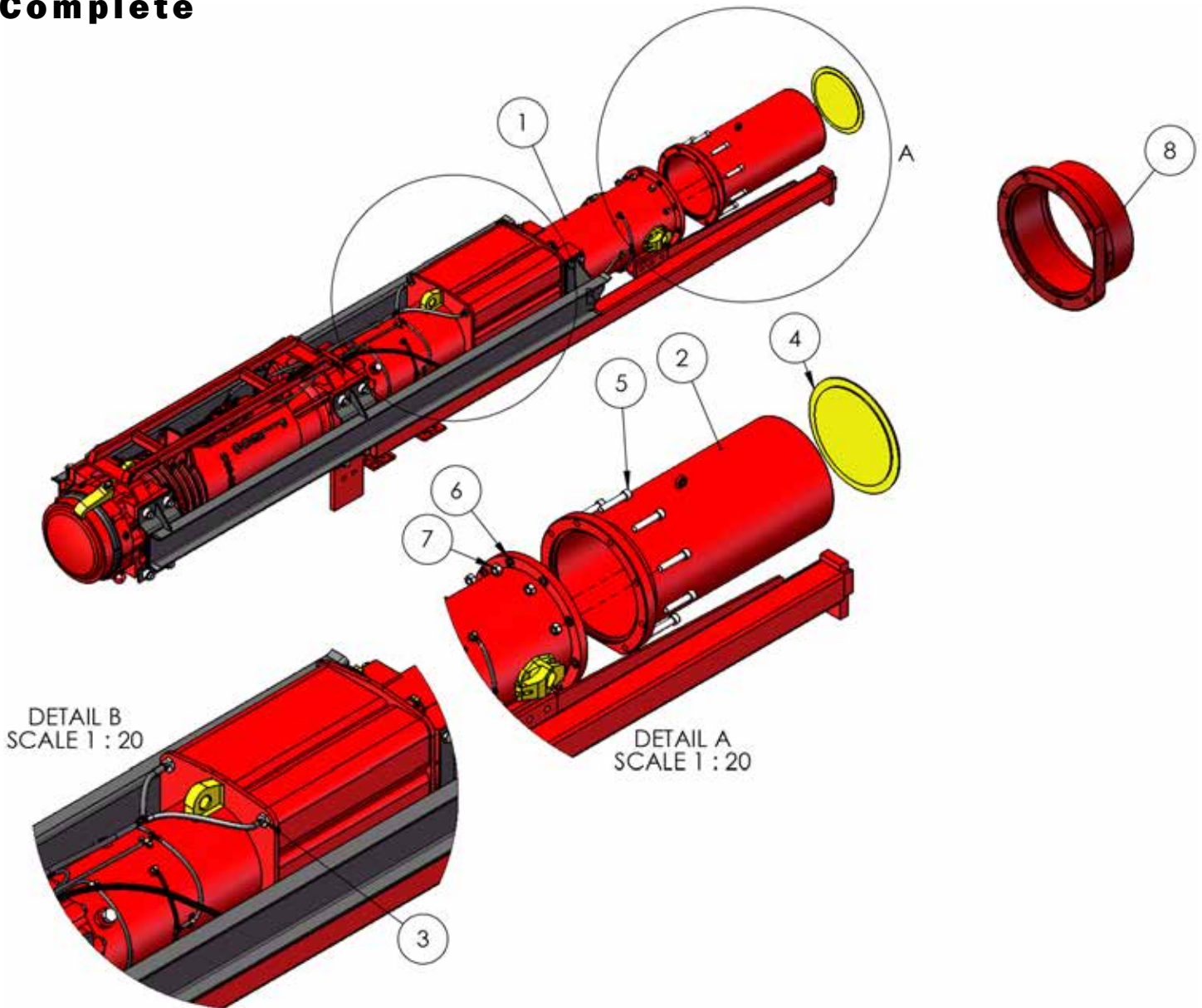
**DO NOT OVER TIGHTEN COMPRESSION NUTS  
DAMAGE TO TUBE MAY OCCUR!**

ITEM NO.	PART NUMBER	DESCRIPTION	QTY.
1	104974	FUEL TUBE	1
2 <b>sold separately</b>	90127	OLIVE	1
3 <b>sold separately</b>	90128	UNION NUT M18X1.5	1

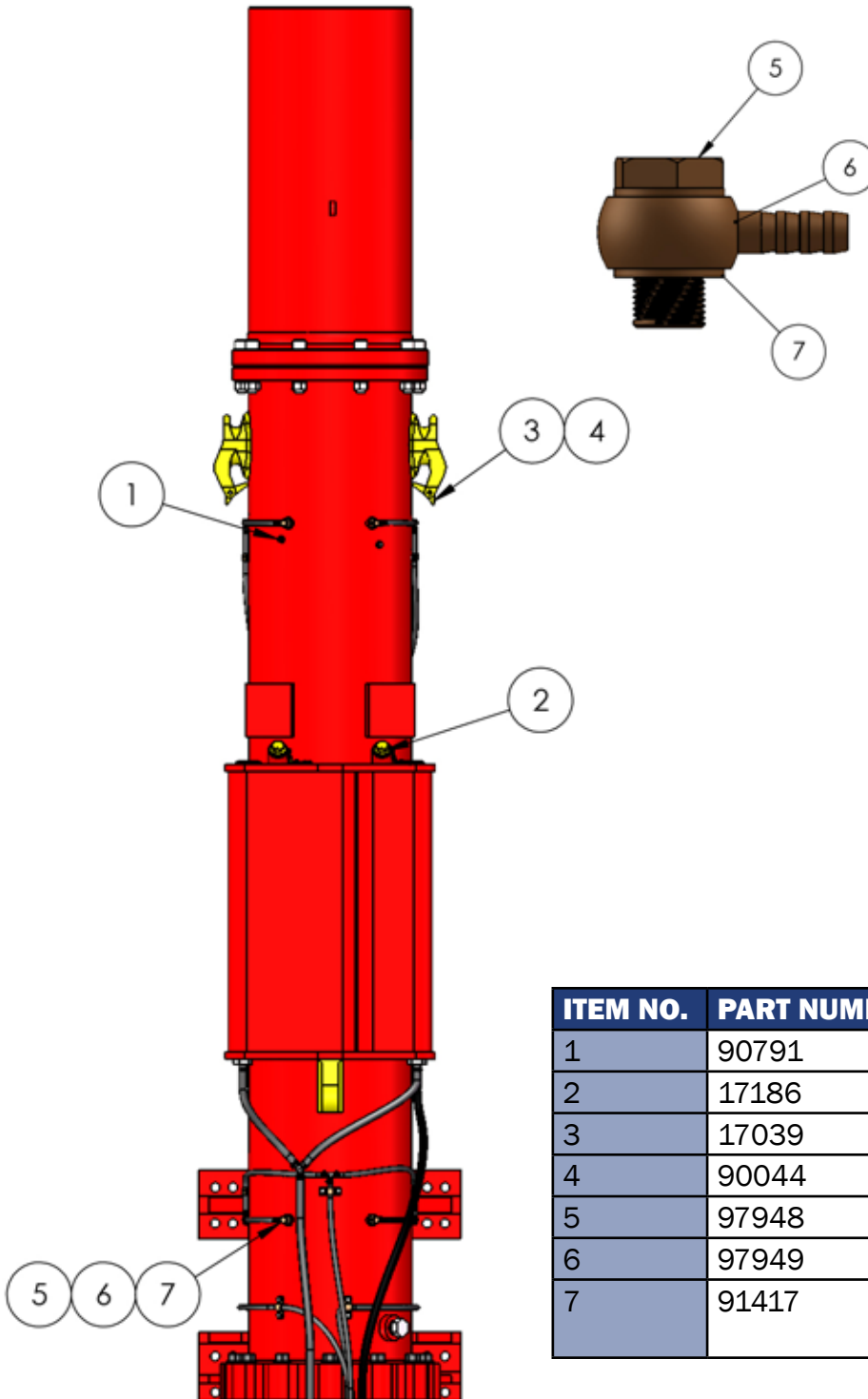
# ***Upper Cylinder***



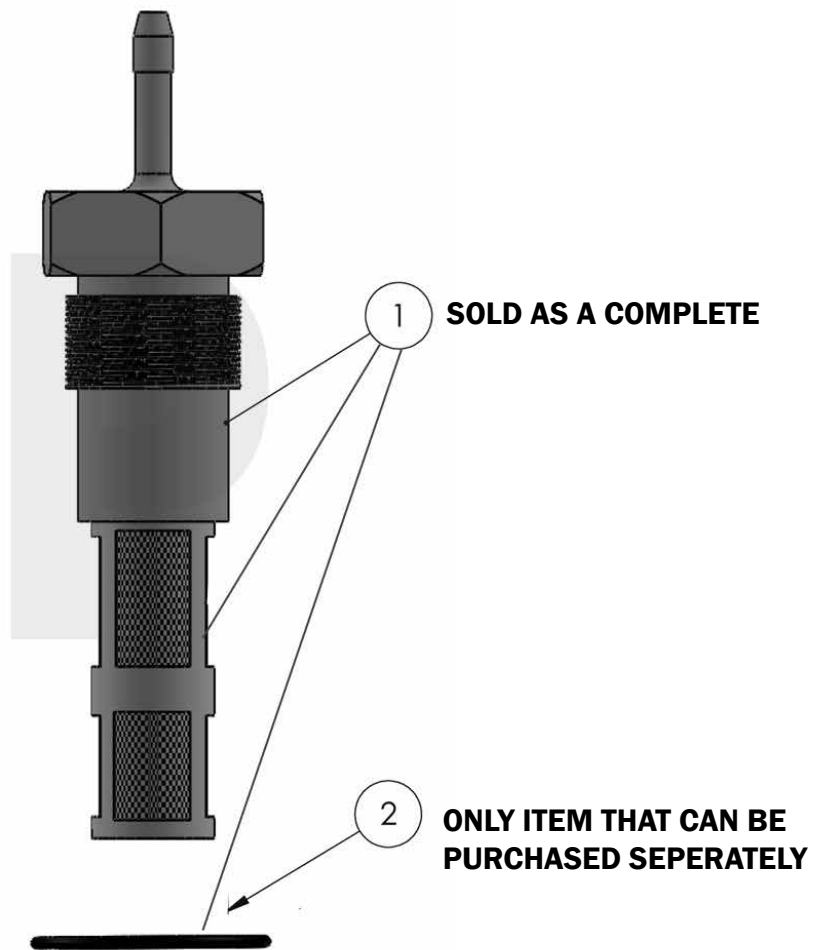
## Upper Cylinder Complete



ITEM NO.	PART NUMBER	DESCRIPTION	QTY.
1	204015	D25/30 UPPER CYLINDER	1
2	204017	UPPER END RING L-1000MM	1
3	64403	FILTER ELBOW	3
4	43284	COVER	1
5	91929	24-3.0 X 120MM SOCKET HEAD CAP SCREW GR 10.9	8
6	210603	24MM SPLIT LOCK WASHER	8
7	90091	24MM-3.0 HEX NUT	8
8	204016	UPPER END RING L=200MM	1

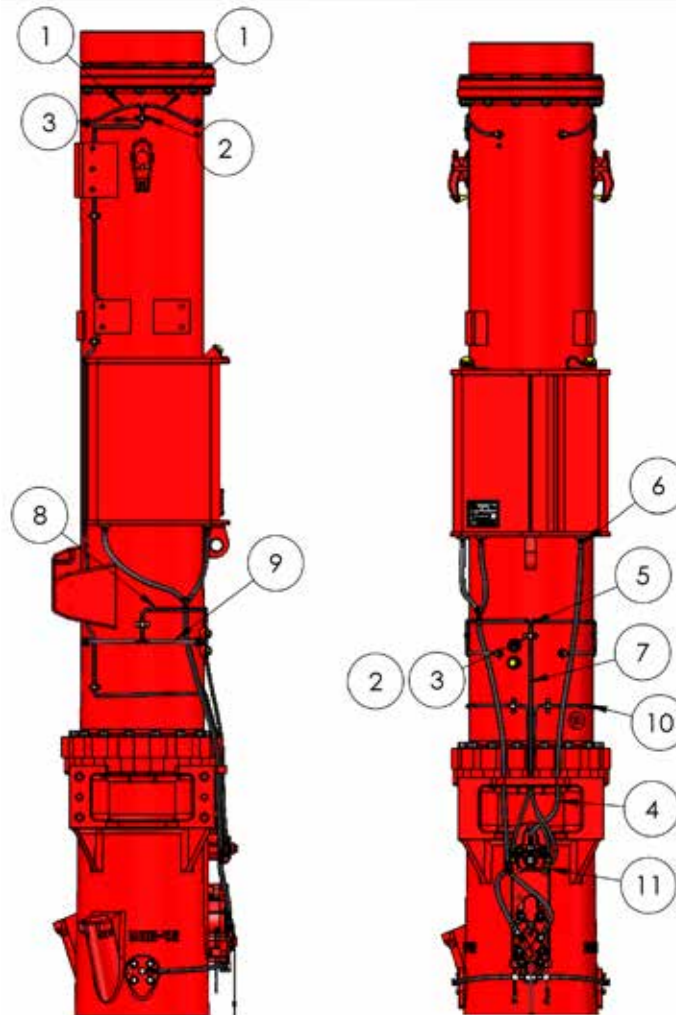
**Upper Cylinder  
Complete**


ITEM NO.	PART NUMBER	DESCRIPTION	QTY.
1	90791	GREASE NIPPLE M10 X 1	12
2	17186	PLUG SCREW COMPLETE	2
3	17039	RATCHET	2
4	90044	DOWEL PIN 12 X 60	2
5	97948	HOLLOW SCREW	8
6	97949	RING TYPE NIPPLE	8
7	91417	SEALING RING A12 X 15.5	16

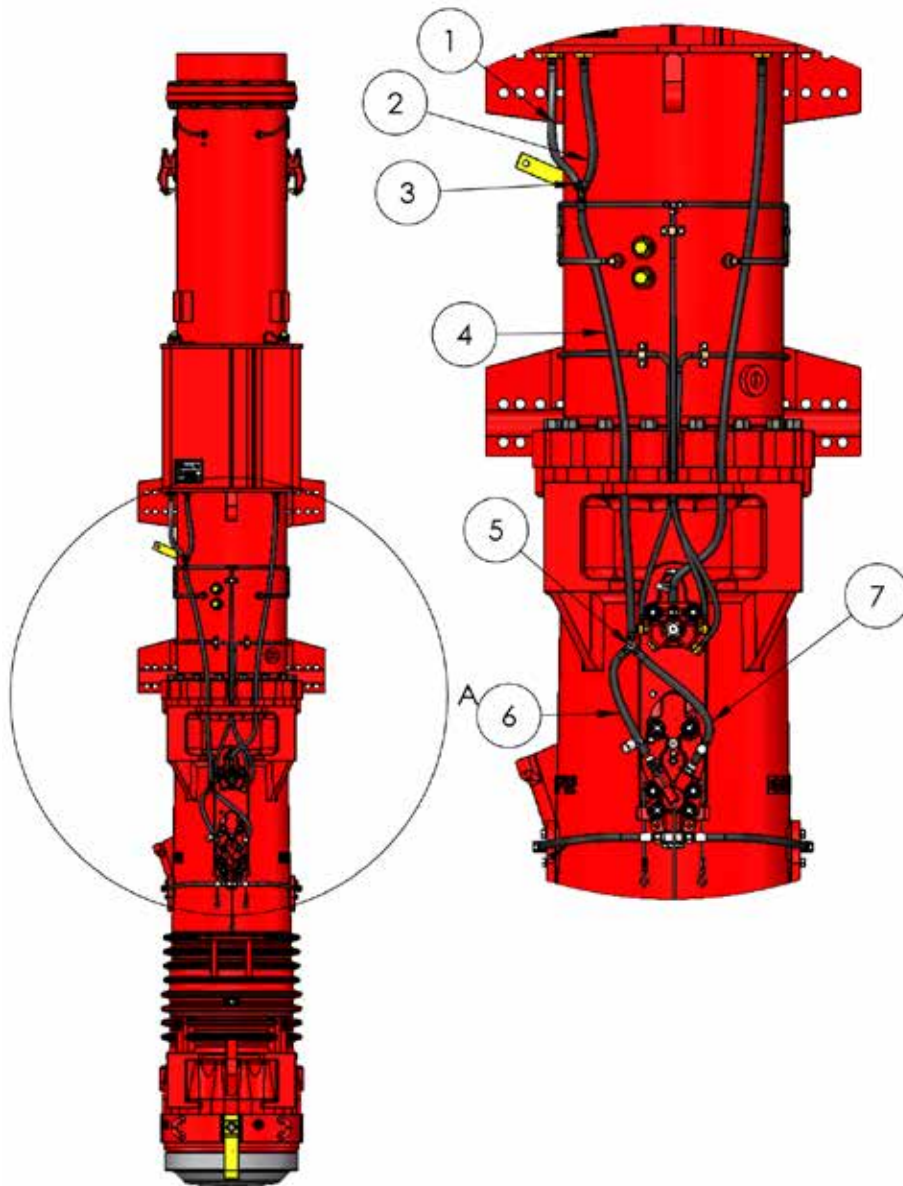
**Filter Elbow  
Complete**


ITEM NO.	PART NUMBER	DESCRIPTION	QTY.
1	64403	FILTER ELBOW COMPLETE	1
2	210607	O-RING 36 X 1.5	1

## Lube Line w Connecting Parts Complete

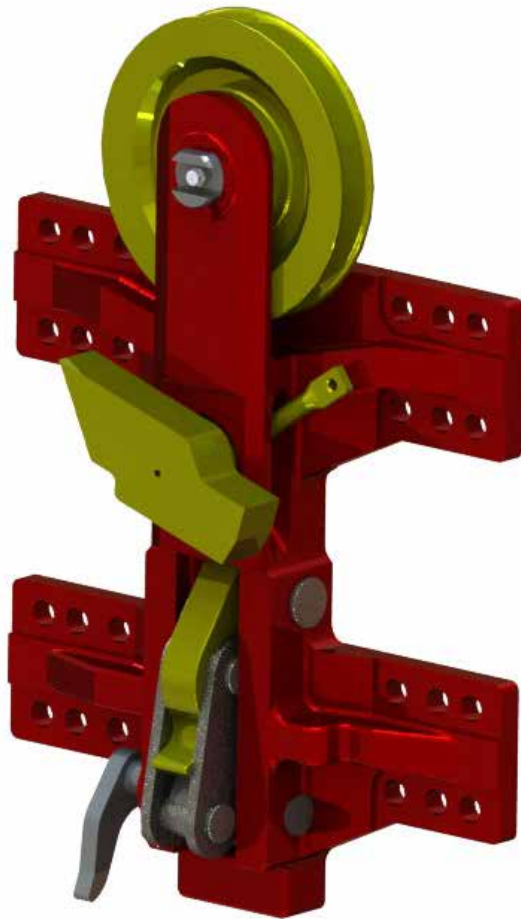


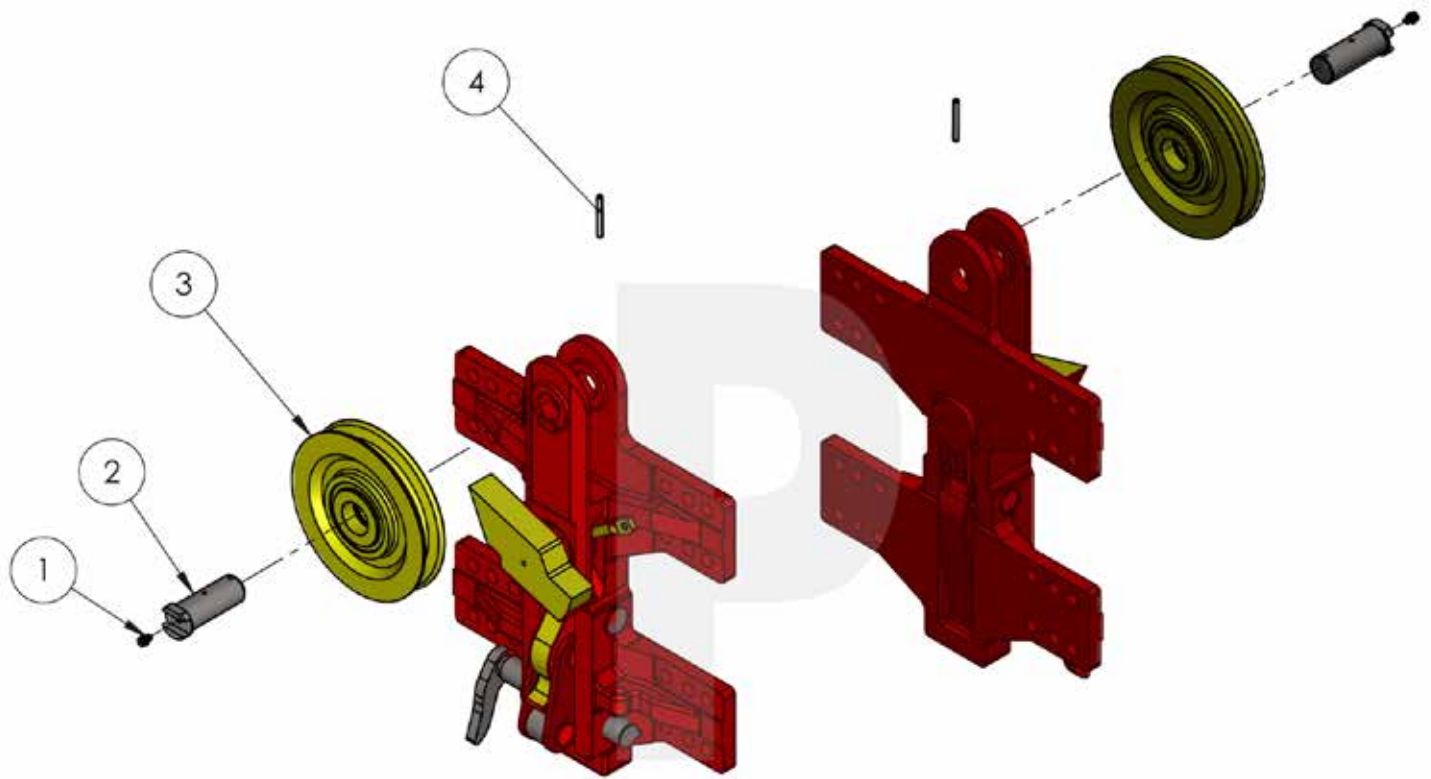
ITEM NO.	PART NUMBER	DESCRIPTION	QTY.
1	14644	HOSE .28M LONG	4
2	2932	CLIP	13
3	93412	LOCKING SCREW M8X12	26
4	190564	HOSE 1/2", 1.6M/63" LONG, w/CONNECTOR FOR D25-D50 LUBE LINE TO FUEL TANK	1
5	94522	T-PIECE	5
6	94299	HOSE CLIP 5/8"-1"	1
7	190563	HOSE 1/4", 1.35M/54" LONG (Lube Line D25-D50)	1
8	64848	HOSE .56M LONG	2
9	14644	HOSE .28M LONG	4
10	2033	HOSE 1/4", 4.05M/160IN LONG	2
11	95115	HOSE CLIP	26

**Fuel Line-Breather Line  
Complete**


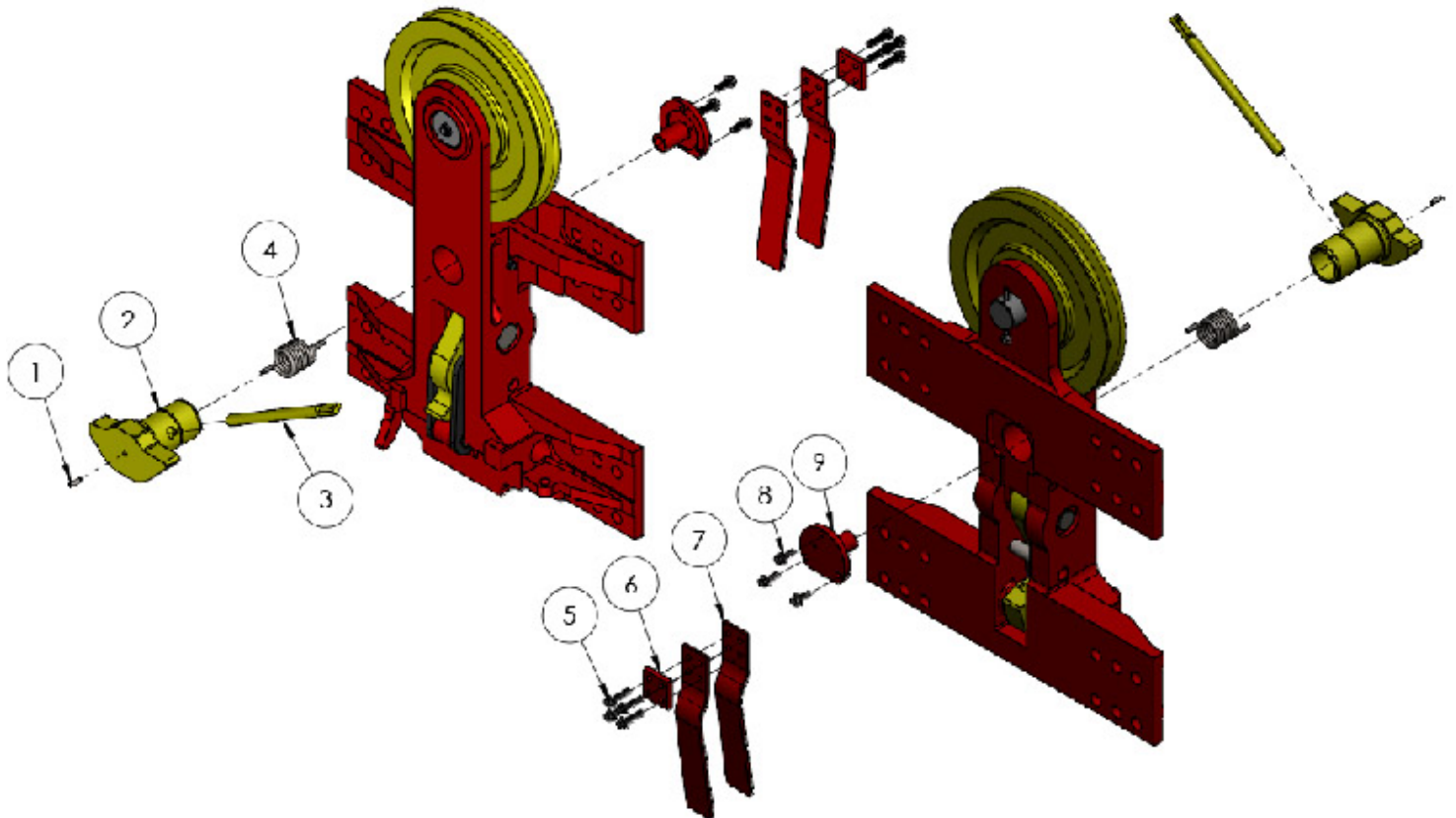
ITEM NO.	PART NUMBER	DESCRIPTION	QTY.
1	17332	HOSE 1/2", 0.8M/32" LONG FUEL LINE	1
2	99066	HOSE 1/2", 0.48M/19" LONG FUEL LINE	1
3	94299	HOSE CLAMP 5/8-1	8
4	190562	HOSE 1.35M LONG	1
5	99019	T-PIECE	2
6	96504	HOSE 0.33m LONG	1
7	207025	HOSE 0.36M LONG	1

# ***Manual Starting Device (Trip)***

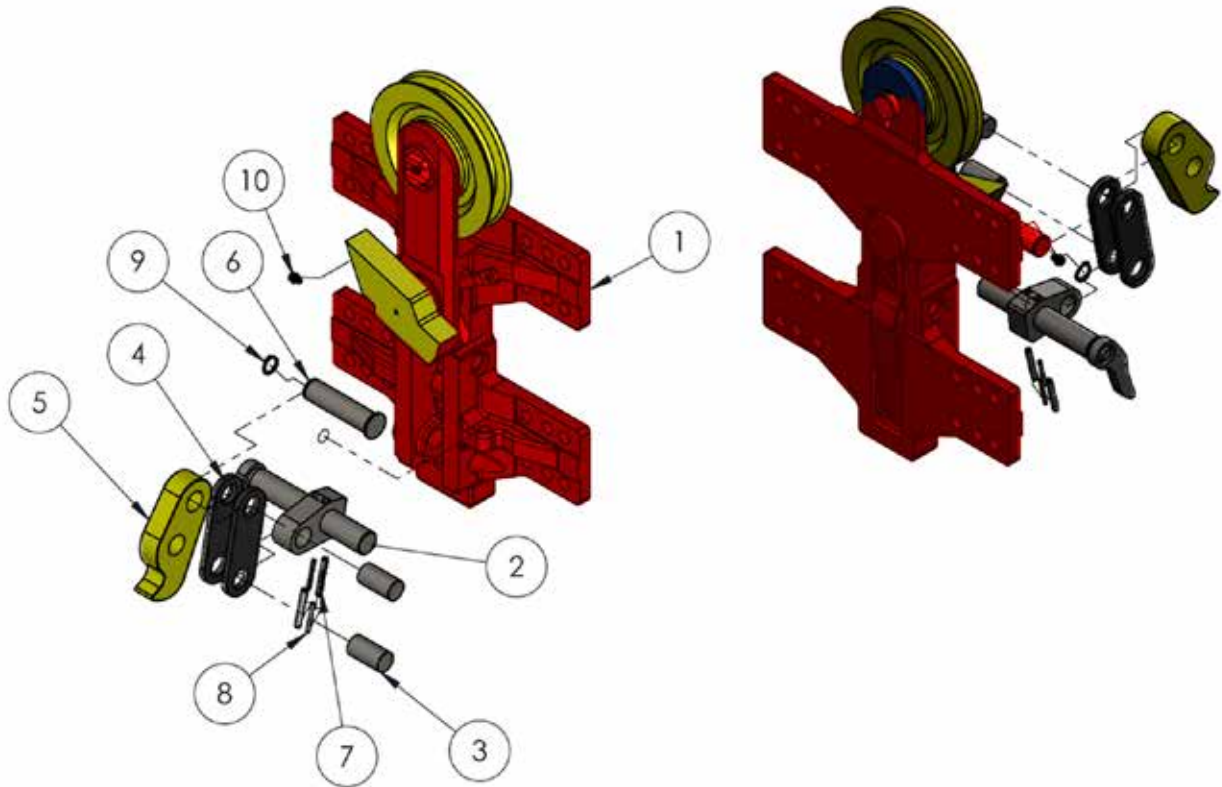


**Manual Starting Device (Trip)  
Complete**


ITEM NO.	PART NUMBER	DESCRIPTION	QTY.
1	90791	GREASE NIPPLE M10 X 1	1
2	39277	SHEAVE PIN	1
3	204020	ROPE PULLEY COMPLETE	1
4	90748	10X 90 SPLIT PIN DIN 94-ST	1

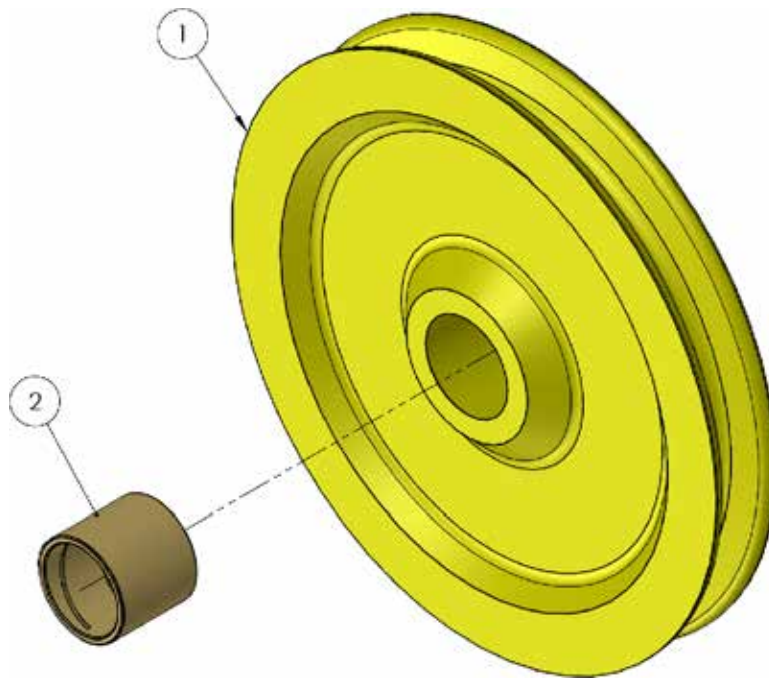
**Manual Starting Device (Trip)  
Complete**


ITEM NO.	PART NUMBER	DESCRIPTION	QTY.
1	90380	8MM X 50 ROLL PIN	1
2	104687	DRIVING PIN	1
3	39280	LEVER	1
4	204018	TORSION SPRING	1
5	205022	10MM-1.5 X 45 SERRATED FLANGE HEX LOCKING SCREW	4
6	836	LEAF SPRING COVER PLATE	1
7	39382	LEAF SPRING	2
8	93414	10MM-1.5 X 30 SERRATED FLANGE HEX LOCKING SCREW	3
9	104689	COVER FOR D25/D30 TRIP	1

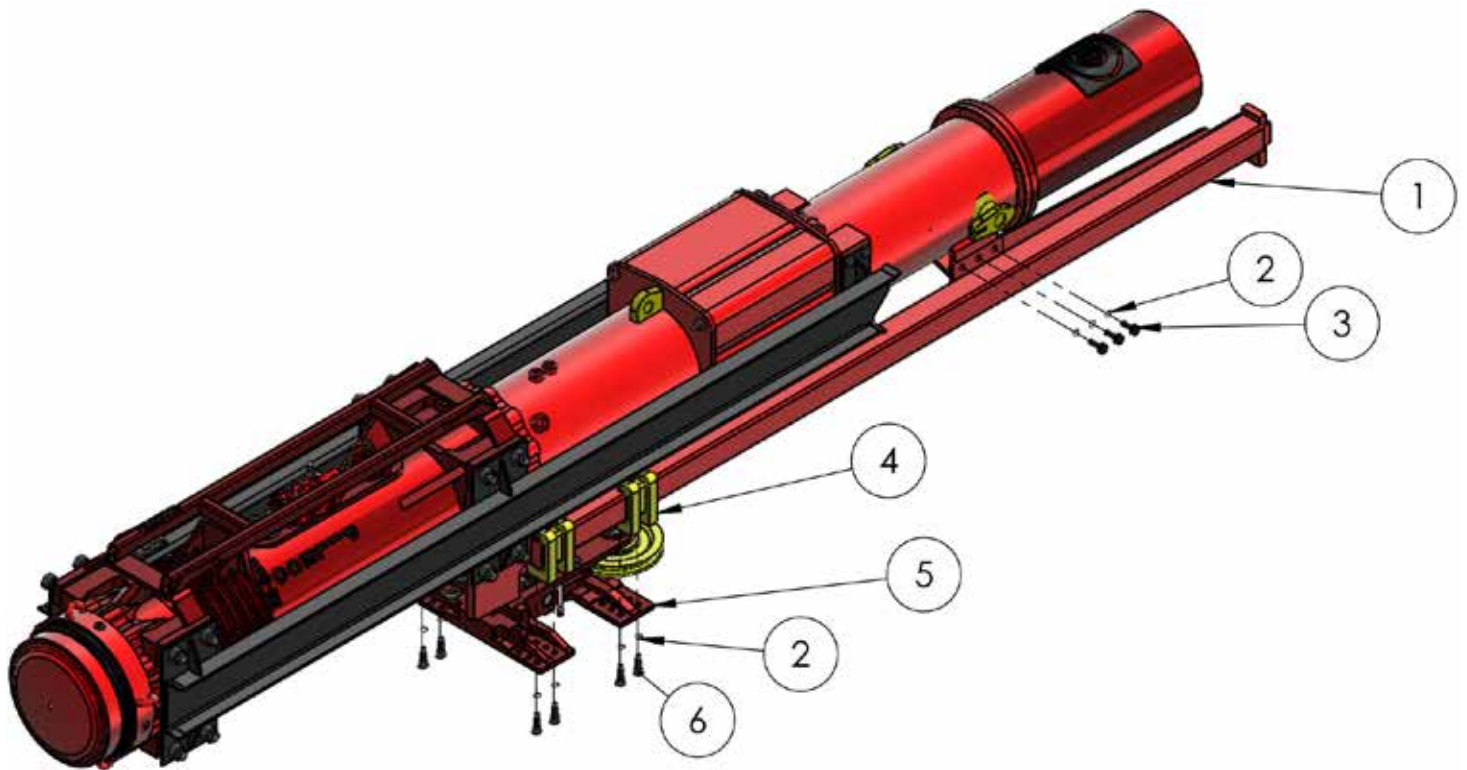
**Manual Starting Device (Trip)  
Complete**


ITEM NO.	PART NUMBER	DESCRIPTION	QTY.
1	104686	TRIP BODY	1
2	39266	TRIP CAM WITH LEVER	1
3	39378	JOINT BOLT	2
4	39279	SHACKLE	2
5	39380	PAWL	1
6	39379	PIN	1
7	90147	10MM X 80 ROLL PIN	2
8	90160	6MM X 60 ROLL PIN	2
9	90273	CIRCLIP 40 X 1.5 DIN 471	1
10	90791	GREASE NIPPLE M10 X 1	1

**Rope Pulley  
Complete**



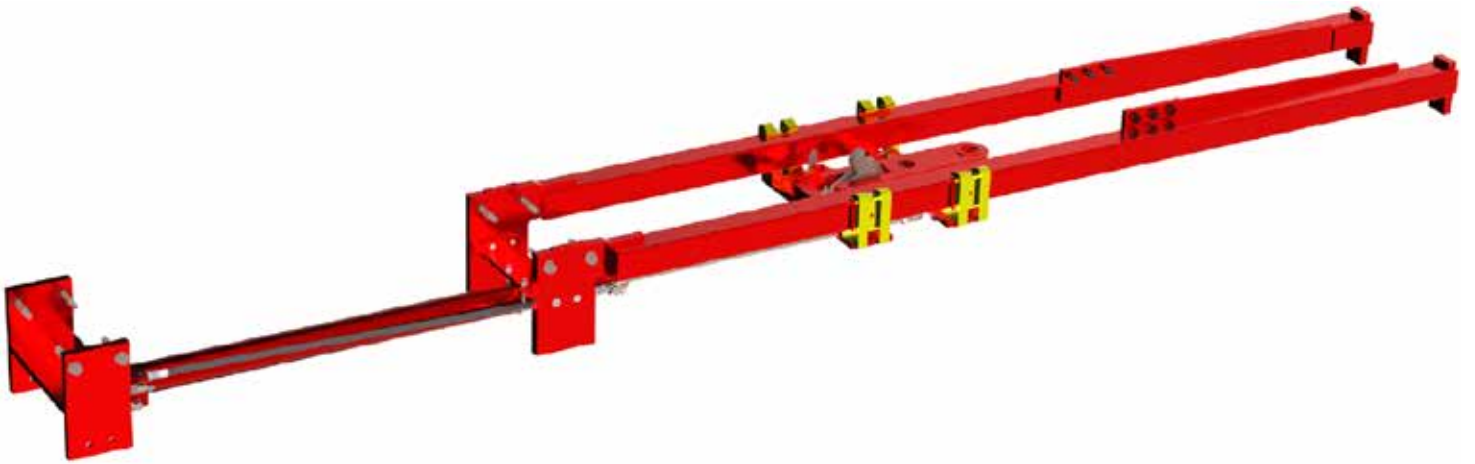
ITEM NO.	PART NUMBER	DESCRIPTION	QTY.
1	190109	ROPE PULLEY	1
2	190107	SLEEVE	1

**Trip Assembly w/Starter Guides  
Complete**


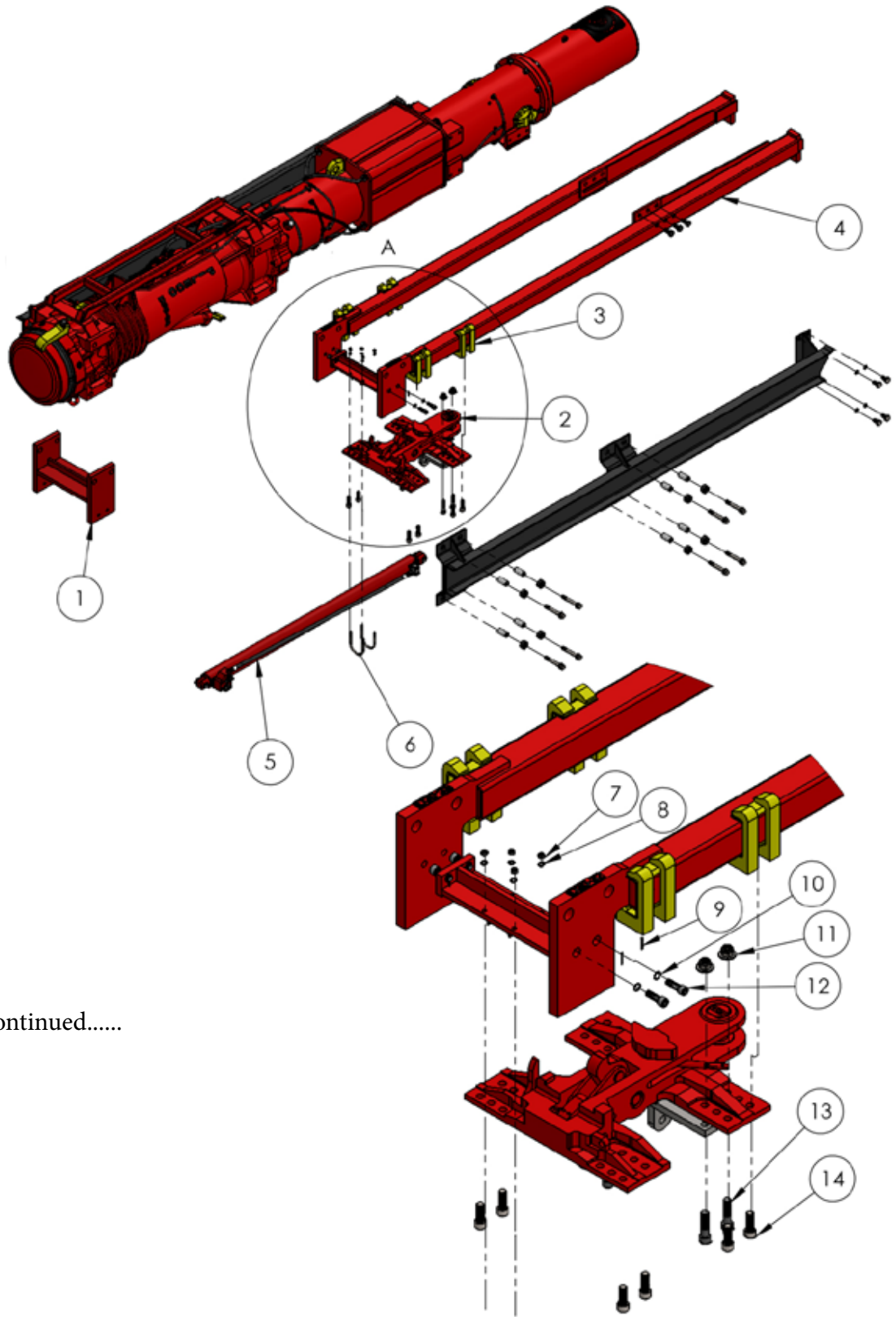
TOTAL APPROX WEIGHT 1,185 LBS

ITEM NO.	PART NUMBER	DESCRIPTION	QTY.	WEIGHT
1	204208	D25/30-32 DIESEL HAMMER STARTER GUIDES	1	622
2	203131	24MM SCHNORR SAFETY WASHER	14	.5
3	204108	24MM-3.0 X 60 HEX HEAD CAPSCREW	6	.5
4	204109	GUIDE GIB	4	81
5	104685	D25/30 DIESEL HAMMER TRIP COMPLETE	1	480
6	204110	24MM-3.0 X 65 SOCKET HEAD CAP SCREW	8	1

# ***Hydraulic Push Start***



**Hydraulic Push Start  
Complete**



Continued.....

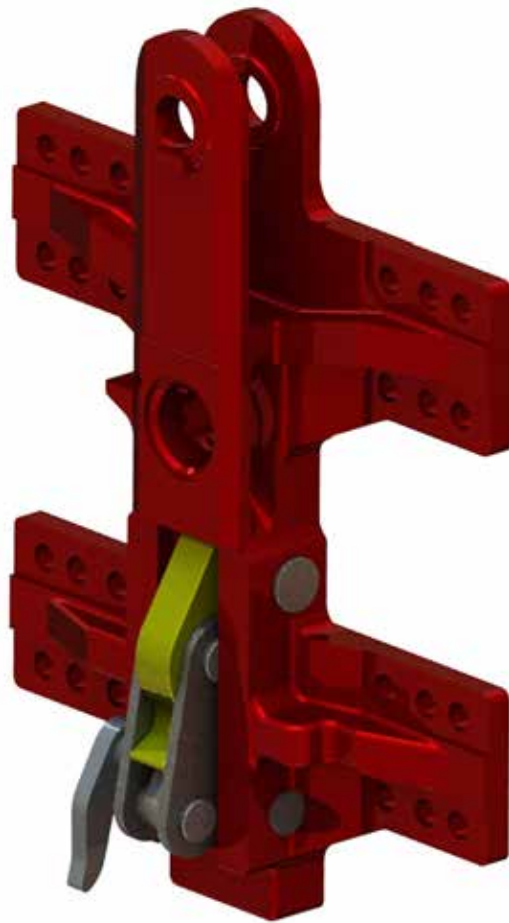
DETAIL A

## Hydraulic Push Start Complete

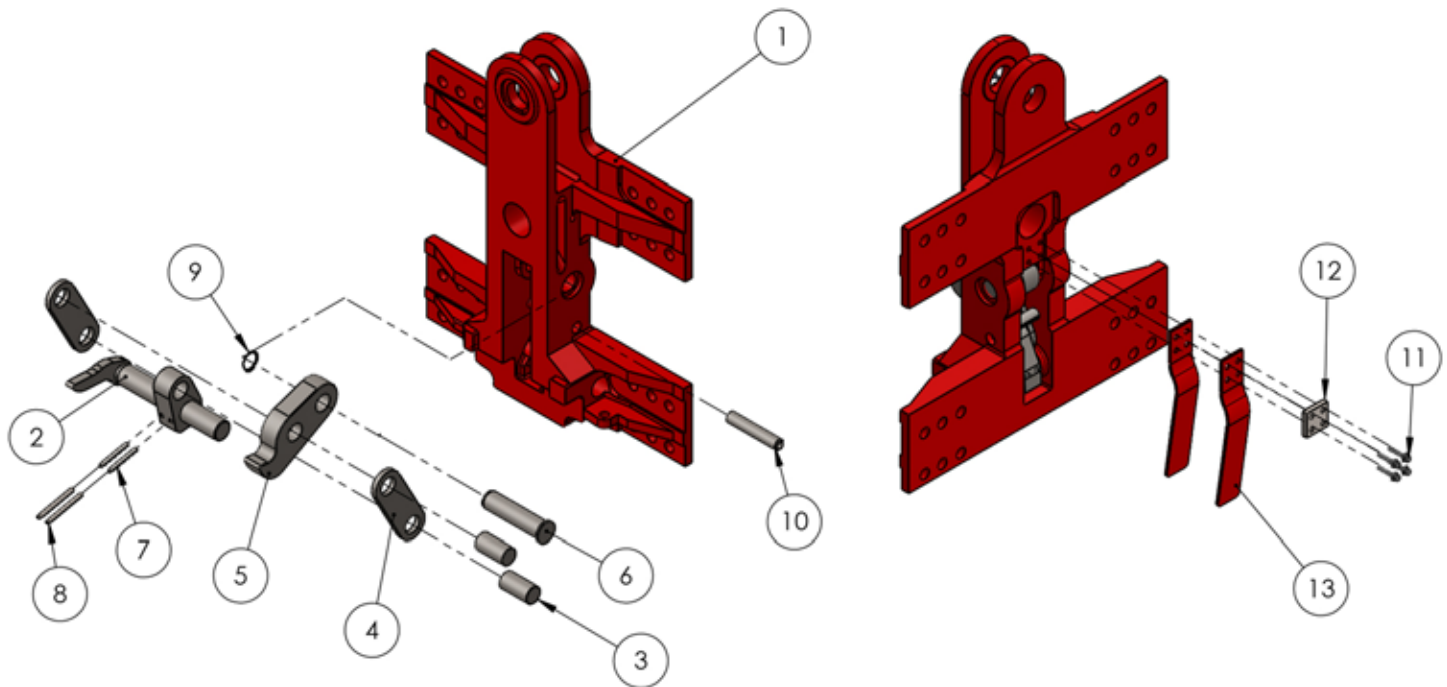
Continued.....

ITEM NO.	PART NUMBER	DESCRIPTION	QTY.
1	204107	D25/D30 HYDRAULIC TRIP BRACKET	1
2	8600012	HYDRAULIC START TRIP ASSEMBLY	1
3	204109	GUIDE GIB	4
4	204101	D30 HYDRAULIC TRIP STARTER GUIDES	1
5	203170	HYDRAULIC PUSH START CYLINDER COMPLETE	1
6	202110	12MM-1.75 X 134 U BOLT	2
7	203115	10MM LOCKNUT	4
8	203116	M12 LOCK WASHER	4
9	204115	4MM X 40 COTTER PIN	4
10	204114	20MM LOCK WASHER SCHNORR	4
11	203103	24MM-3.00 NYLON INSERT LOCKNUT	4
12	204113	20MM-2.5 X 60 SOCKET HEAD CAP SCREW WITH PIN HOLE	4
13	204102	24MM-3.0 X 90 SOCKET HEAD CAP SCREW 12.9	4
14	204110	24MM-3.0 X 65 SOCKET HEAD CAP SCREW	8

# ***Hydraulic Starting Device (Trip)***

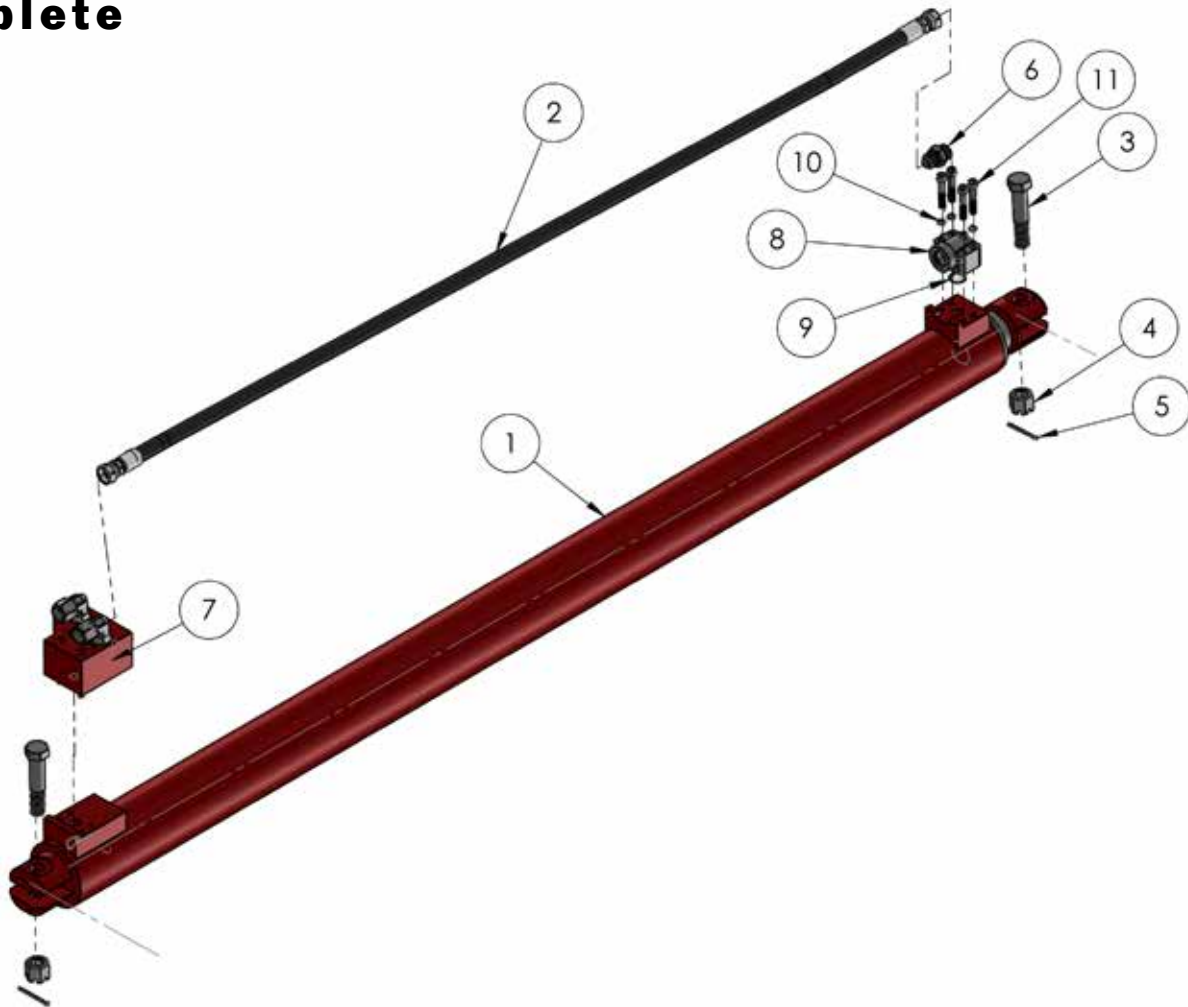


## Hydraulic Starting Device (Trip) Assembly



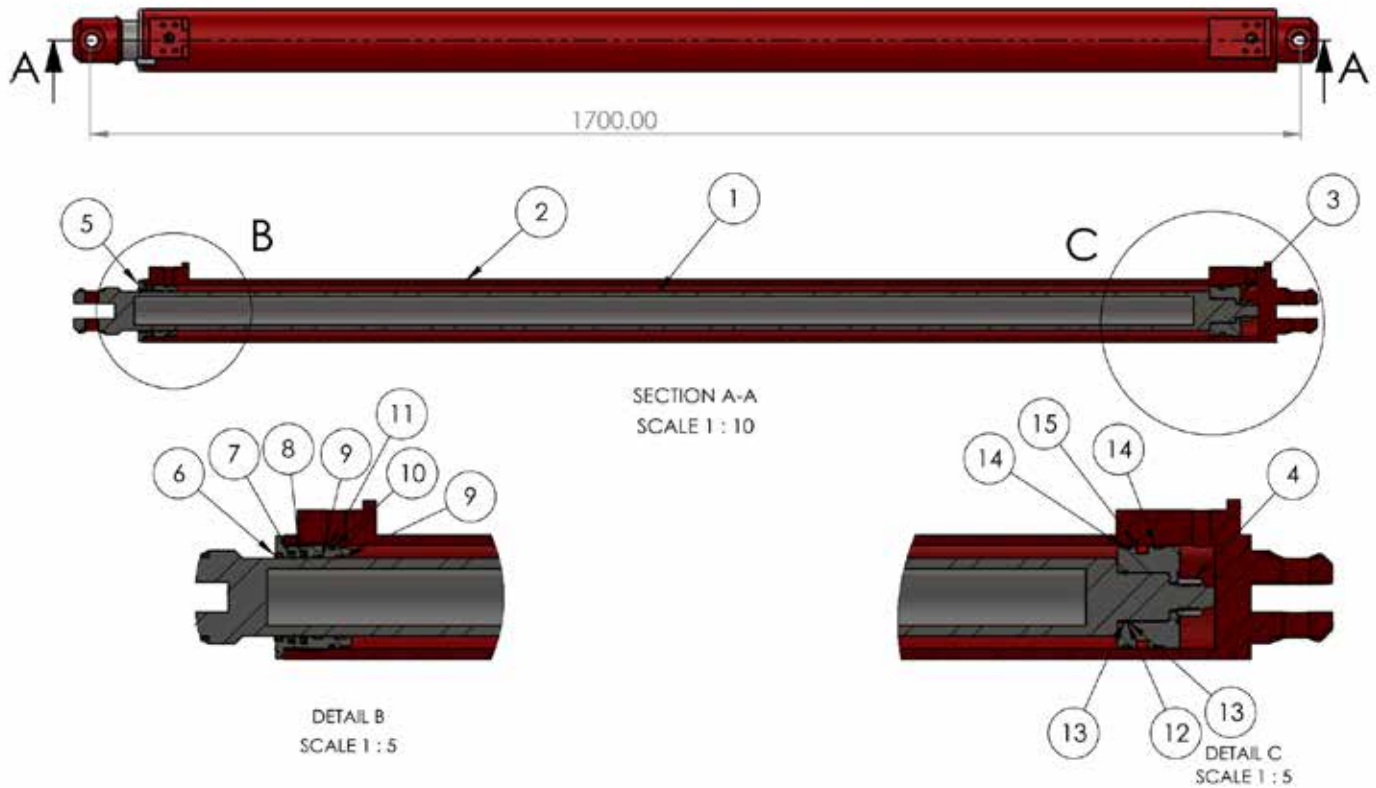
ITEM NO.	PART NUMBER	DESCRIPTION	QTY.
1	104686	GUIDE BODY	1
2	39266	TRIP CAM WITH LEVER	1
3	39378	JOINT BOLT	2
4	39279	SHACKLE	2
5	39380	PAWL	1
6	39379	PIN	1
7	90147	10MM X 80 ROLL PIN	2
8	90160	6MM X 60 ROLL PIN	2
9	90273	CIRCLIP 40 X 1.5 DIN 471	1
10	92663	25MM X 140 ROLL PIN	1
11	205022	10MM-1.5 X 30 HEX HEAD CAPSCREW 8.8	4
12	836	SQUARE PLATE BRACKET	1
13	39382	LEAF SPRING	2

## Hydraulic Cylinder Complete



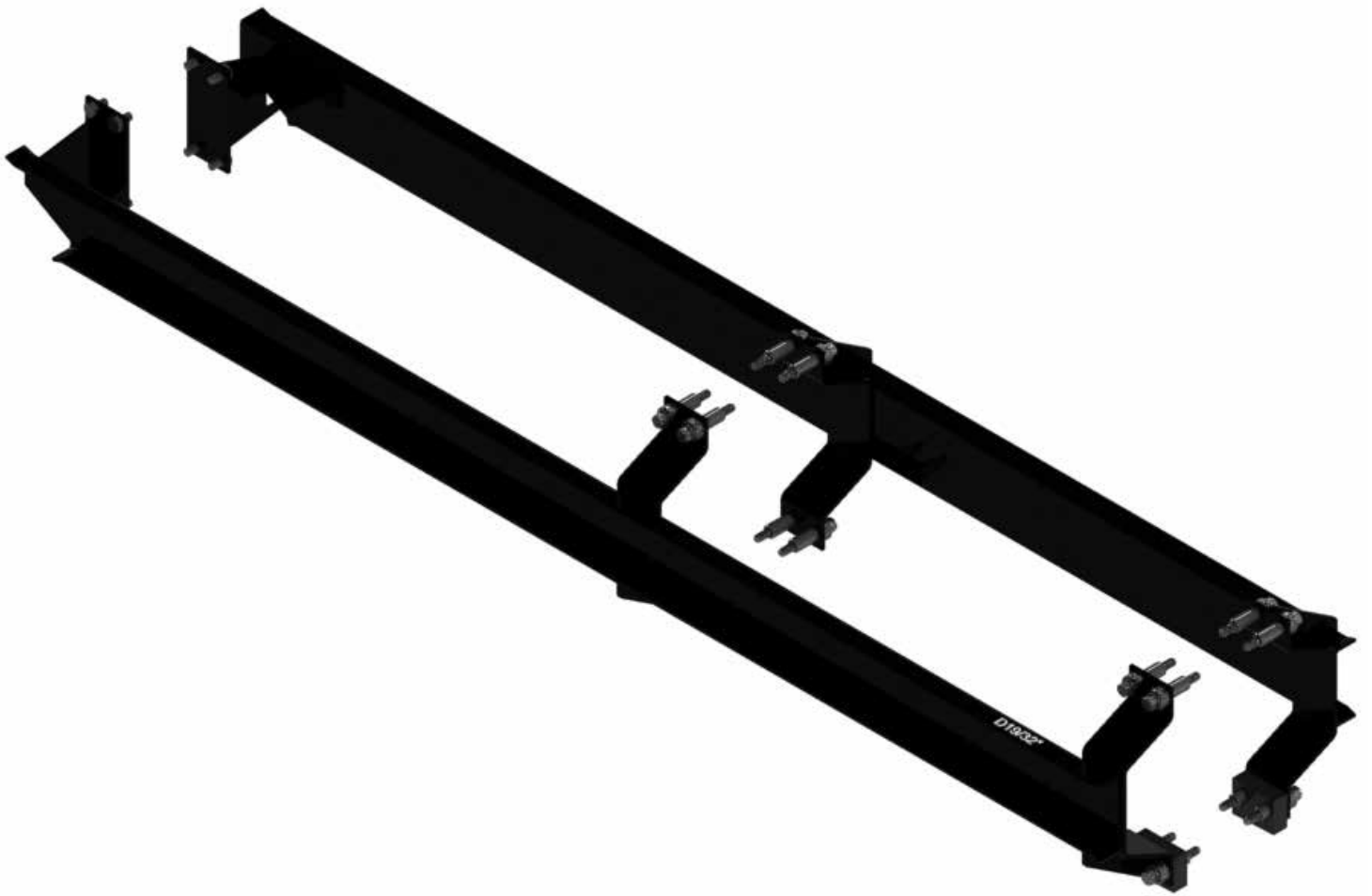
ITEM NO.	PART NUMBER	DESCRIPTION	QTY.
1	203171	HYDRAULIC START CYLINDER	1
2	203175	1950MM HOSE	1
3	205110	24MM-3.0 X 110 HEX HEAD CAP SCREW w/ PIN HOLE	2
4	205111	M24 SLOTTED HEX NUT	2
5	205112	5 X 40 COTTER PIN	2
6	203124	3/4-1 1/16 - 12 JIC Straight Thread Connectors 37° Flare /SAE-ORB 12 F50X	1
7	201108	LOWER HYDRAULIC BLOCK ASSEMBLY	1
8	203173	W184-12-12 ANCHOR FLANGE	1
9	203172	O-RING 2-214 24.99 X 3.53	1
10	207116	10MM HI COLLAR LOCK WASHER	4
11	203174	10MM X 55 SOCKET HEAD CAP SCREW	4

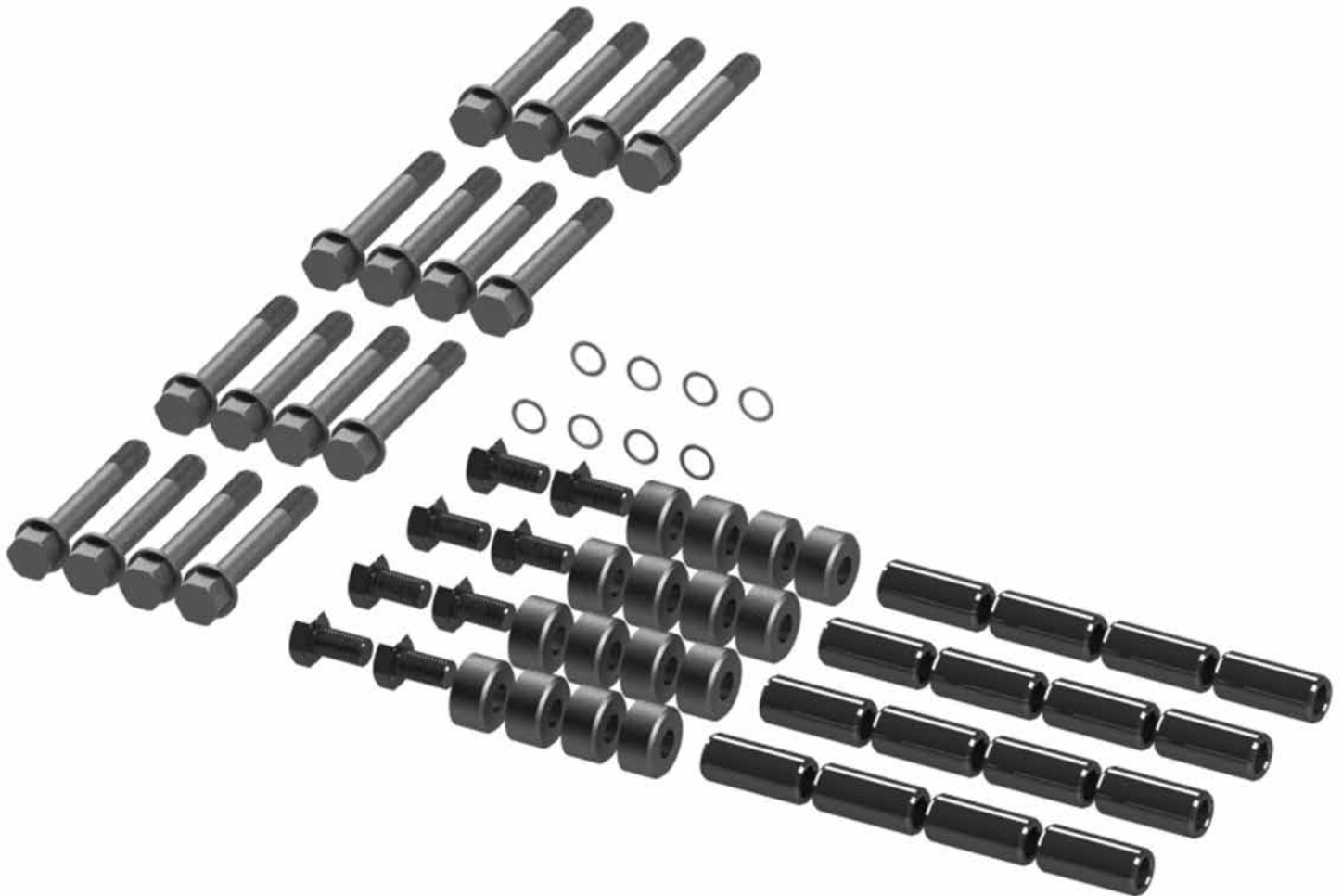
# Hydraulic Cylinder Assembly



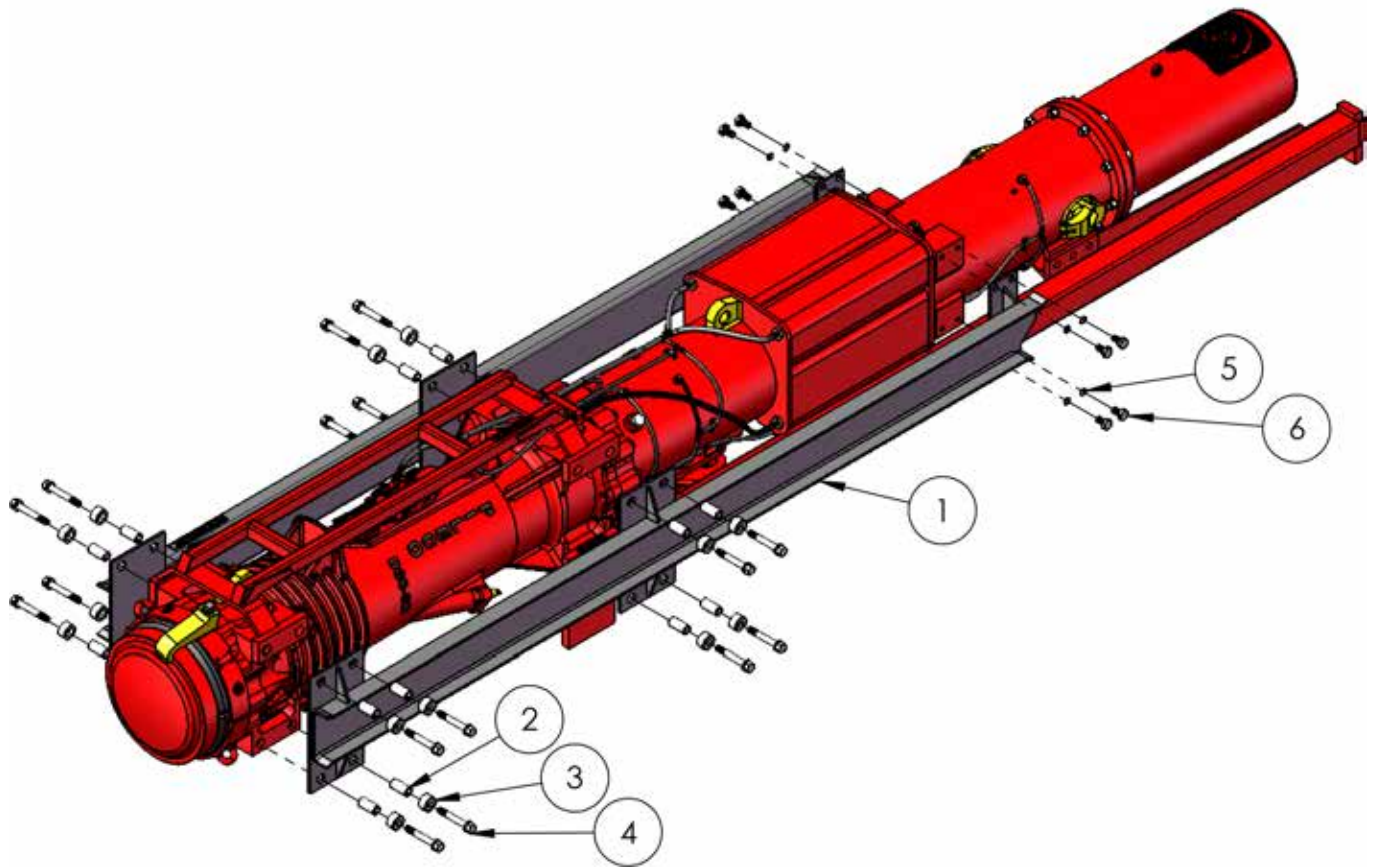
ITEM NO.	PART NUMBER	DESCRIPTION	QTY.
1	203178	CYLINDER ROD	1
2	203180	CYLINDER SLEEVE	1
3	203181	PISTON	1
4	201104	20MM X 2.5 NYLON INSERT LOCK NUT	1
5	203179	CLINDER HEAD	1
6	203146	WIPER SEAL	1
7	203162	ROD SEAL	1
8	203163	ROD SEAL	1
9	203164	WEAR RING	2
10	203165	2-239 91.67X3.53 O-RING	1
11	203166	95X100.5-1.5 BACKING RING	1
12	203167	2-132 44.12×2.62 O-RING	1
13	203168	45×49-1 BACKING RING	2
14	203169	100X95-9.7 GUIDING RING	2
15	203155	100X85X12.5 DOUBLE ACTING PISTON SEAL	1

# ***Guides***



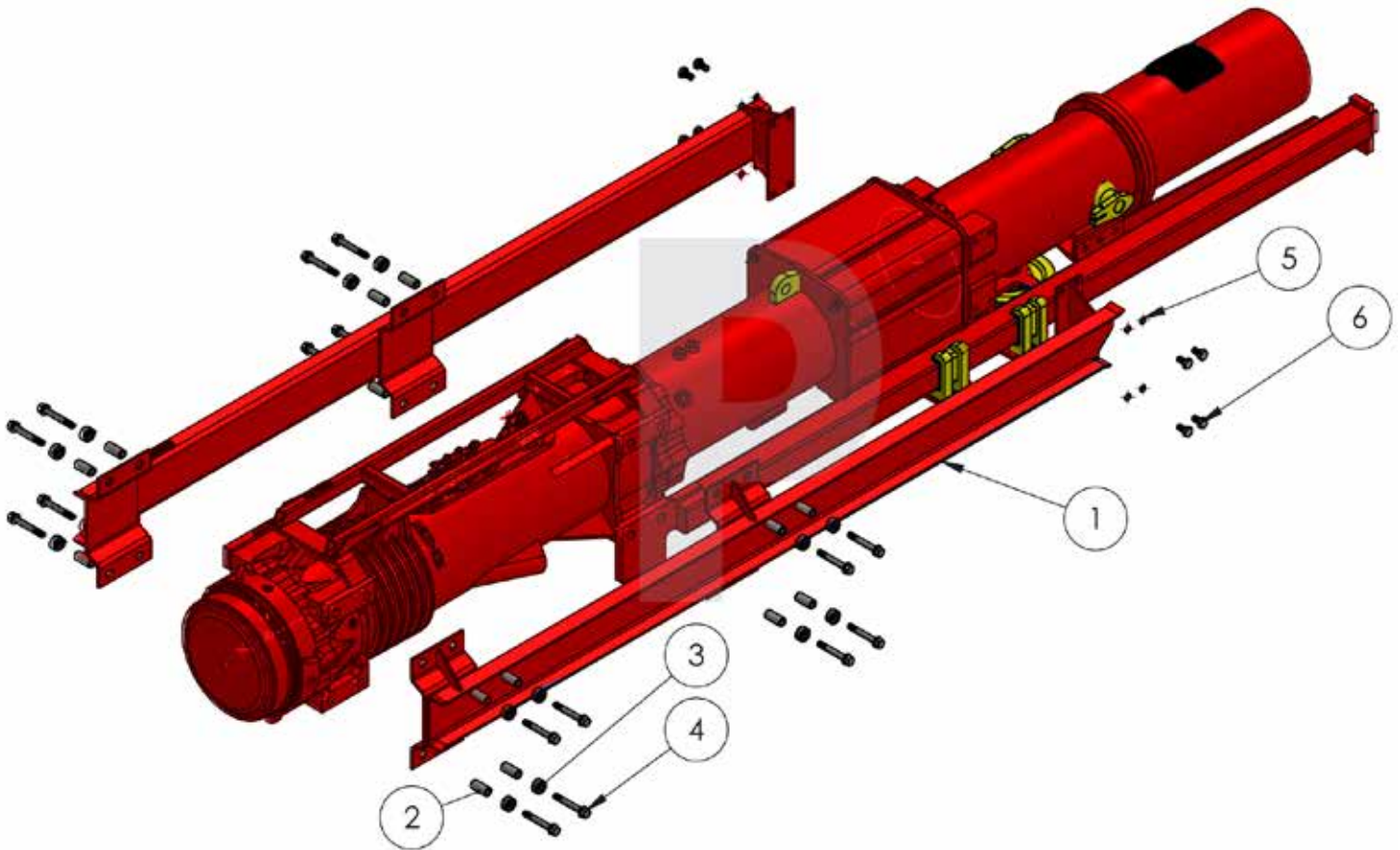
**D25 GUIDING HARDWARE  
Assembly Kit**


ITEM NO.	PART NUMBER	DESCRIPTION	QTY.
1	95195A	DOWEL PIN	16
2	20174	M24 X 165 HEX BOLT	16
3	39991	SPACER	16
4	203130	24-3.0 X 45 HEX HEAD CAPSCREW	8
5	203131	24MM SCHNORR SAFETY WASHER	8

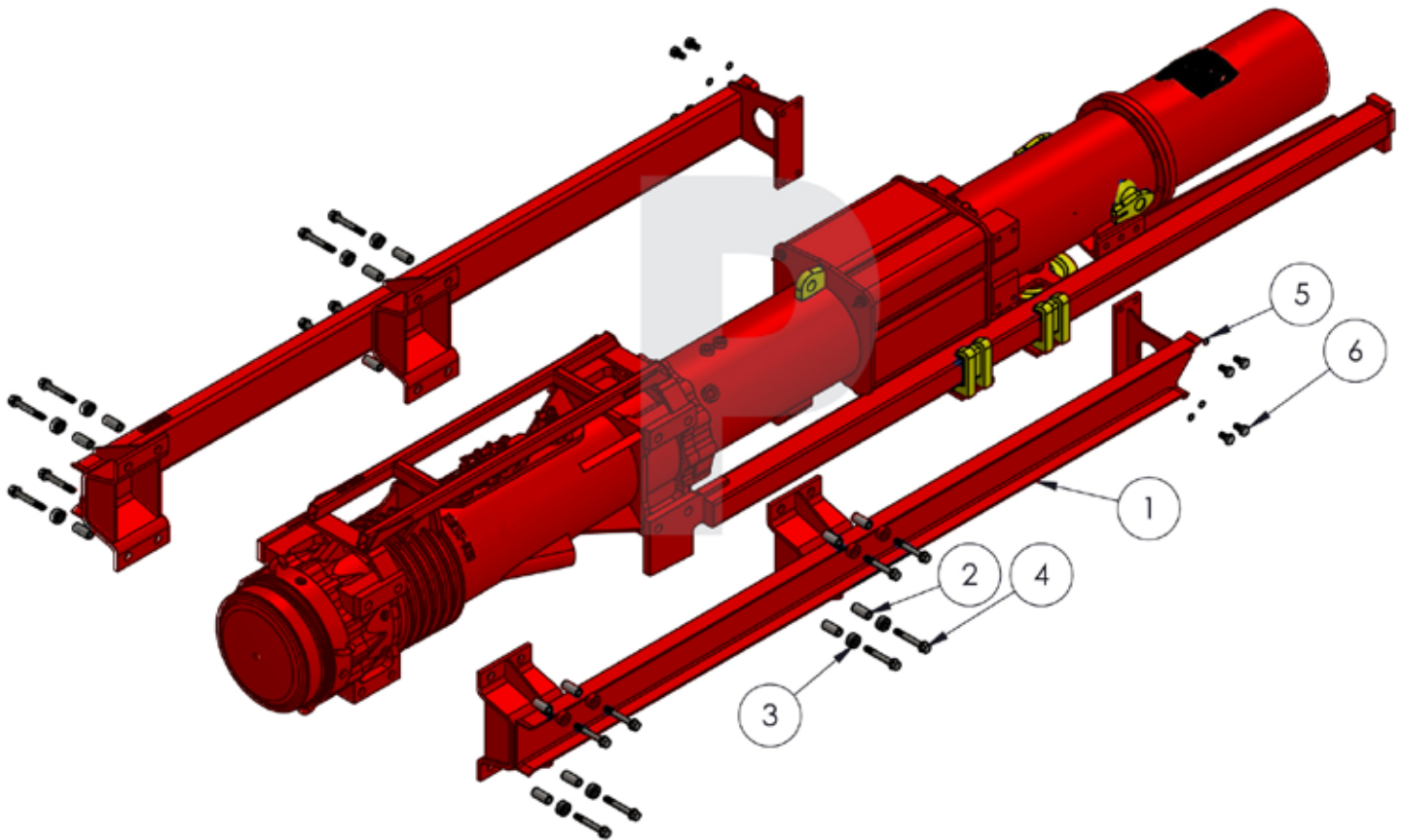
**D25 U-26 X 8 LEAD GUIDING  
Assembly**


TOTAL APPROX WEIGHT: 751 LBS

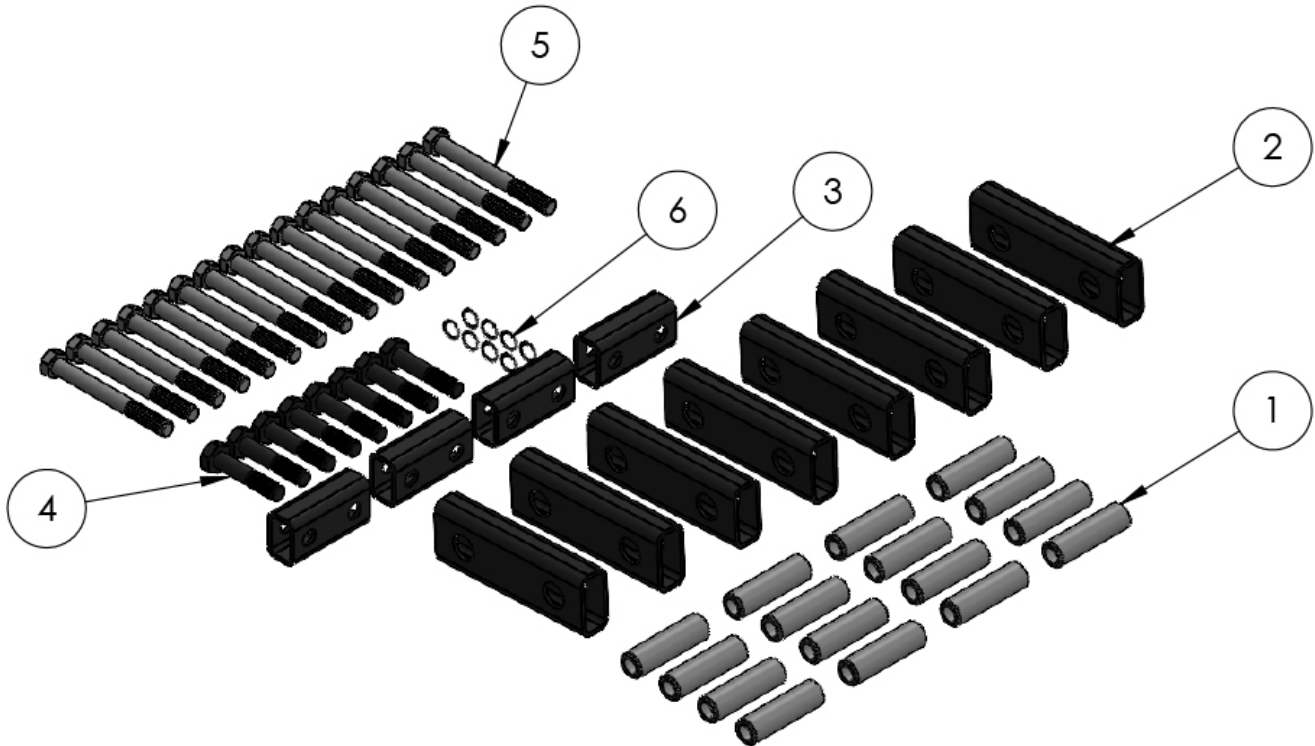
ITEM NO.	PART NO	DESCRIPTION	QTY.
1	204203	U-32 X 8 GUIDING SET	1
2	95195A	DOWEL PIN	16
3	39991	SPACER CUP	16
4	20174	M24 X 165 HEX BOLT	16
5	203131	24MM SCHNORR SAFETY WASHER	8
6	203130	24-3.0 X 45 HEX HEAD CAPSCREW	8

**D25 U-32 X 8 LEAD GUIDING  
Assembly**


ITEM NO.	PART NUMBER	DESCRIPTION	QTY.
1	204204	U-32 X 8 GUIDING	1
2	95195A	DOWEL PIN	16
3	39991	SPACER	16
4	20174	M24 X 165 HEX BOLT	16
5	203131	24MM SCHNORR SAFETY WASHER	8
6	203130	24-3.0 X 45 HEX HEAD CAPSCREW	8

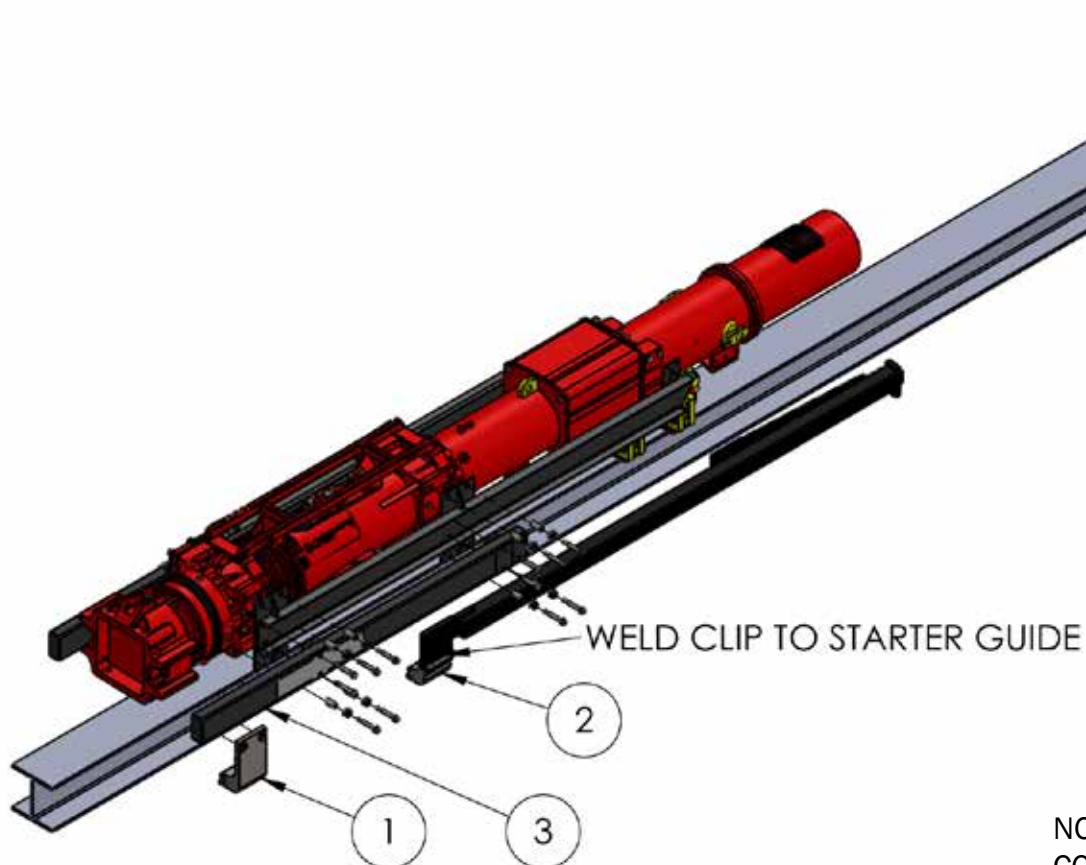
**D25 U-42 X 8 LEAD GUIDING  
Assembly**


ITEM NO.	PART NUMBER	DESCRIPTION	QTY.
1	204205	U-42 LEAD GUIDING SET	1
2	95195A	DOWEL PIN	16
3	39991	SPACER	16
4	20174	M24 X 165 HEX BOLT	16
5	203131	24MM SCHNORR SAFETY WASHER	8
6	203130	24-3.0 X 45 HEX HEAD CAPSCREW	8

**SPACER BLOCK KIT 6"**  
**Assembly**


ITEM NO.	PART NO.	DESCRIPTION	QTY.
1	95195-C	DOWEL PIN	16
2	8005905	2 X 4 X 1/4 X 11 1/2" RECTANGLE TUBE	8
3	8005907	2 X 3 X 1/4 X 6 SQ TUBE	4
4	91929	M24 X 120 HEX HEAD CAPSCREW	8
5	8005912	24-3.0MM X 220 HEX HEAD CAPSCREW 10.9	16
6	203131	24MM SCHNORR SAFETY WASHER	8

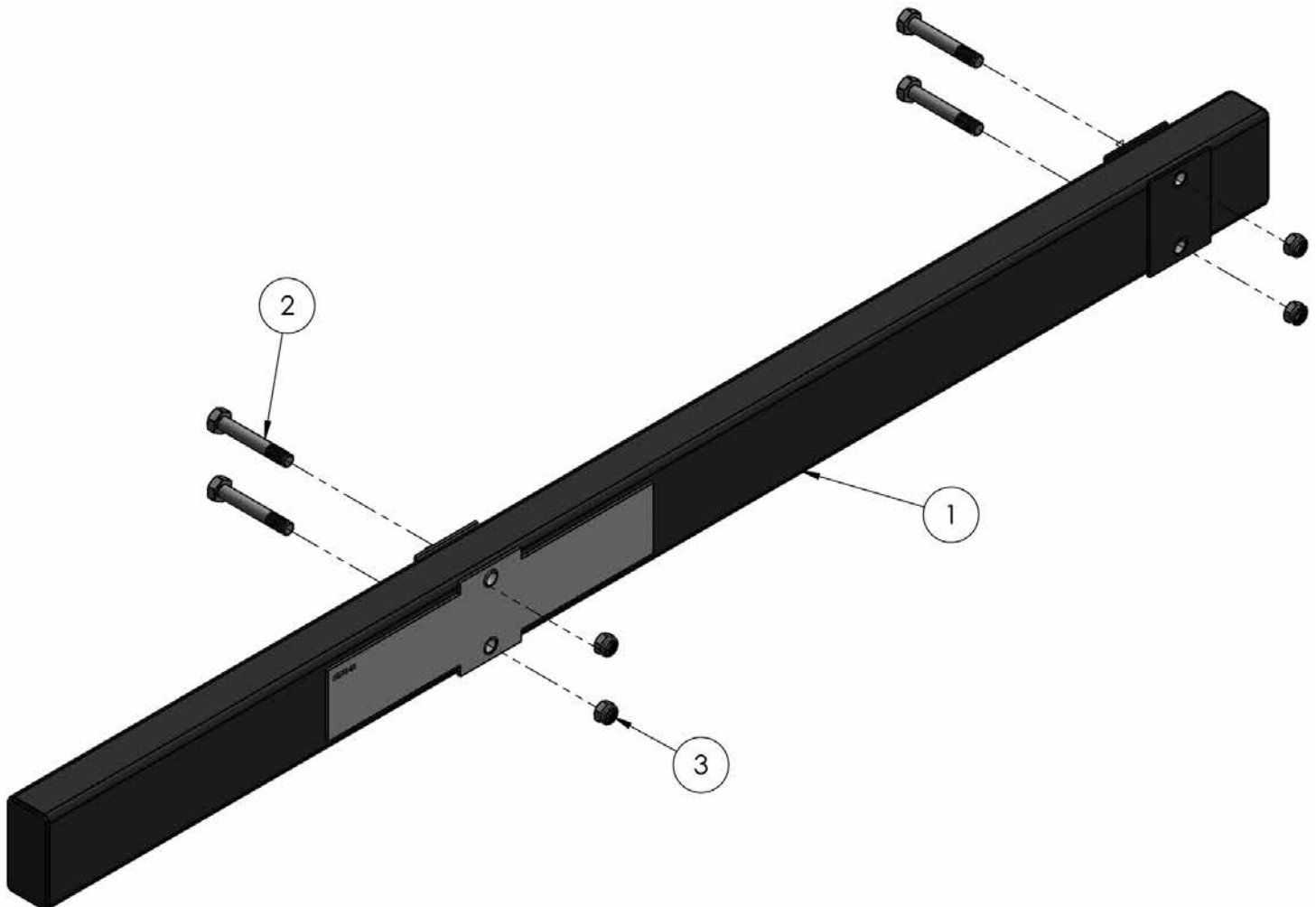
## D25/30 HP Beam Guide Clip Assembly



NOTE:  
CONTACT PILECO FOR WELD  
PROCEDURE OF GUIDE CLIP

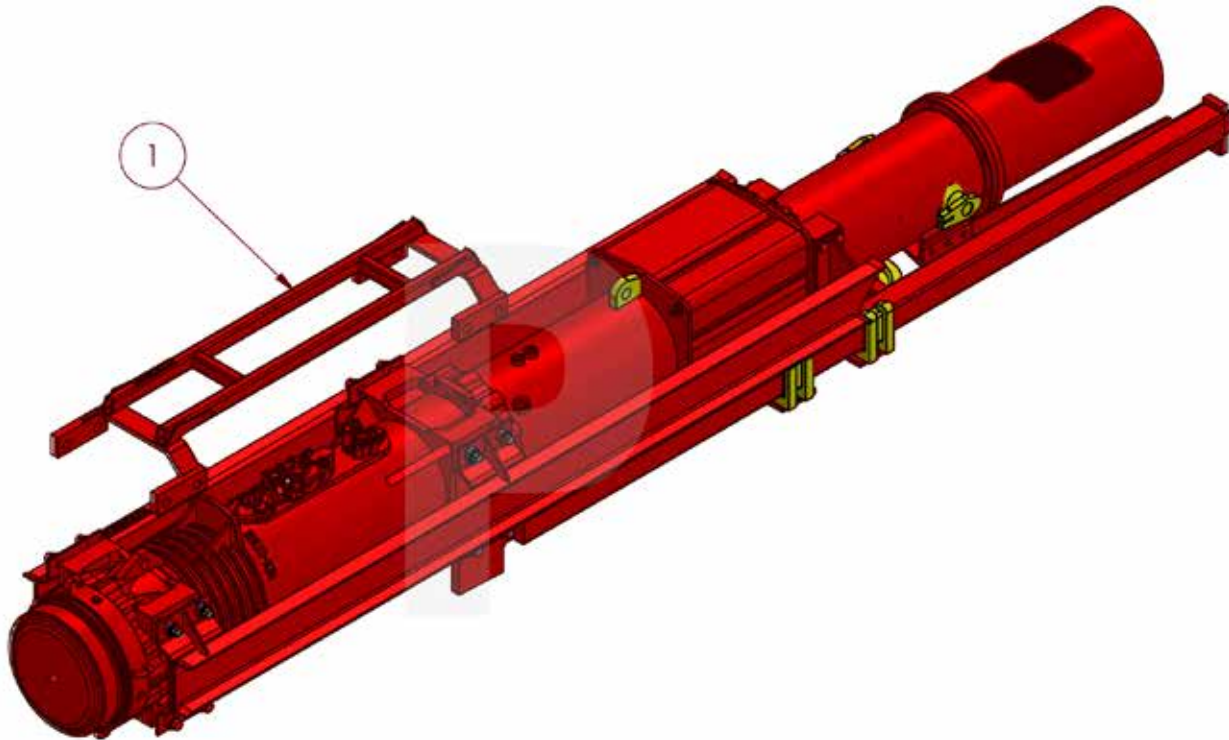
ITEM NO.	PART NUMBER	DESCRIPTION	QTY.	WEIGHT
1	8001031	D25/30 14 X 89 GUIDE CLIP	2	246
2	8001032	14 X 89 GUIDE CLIP D25/30 UPPER	2	160
3	30313-01	8" GUIDE EXT FOR HELMET	2	478

## 8" Guide EXT for Helmet Assembly



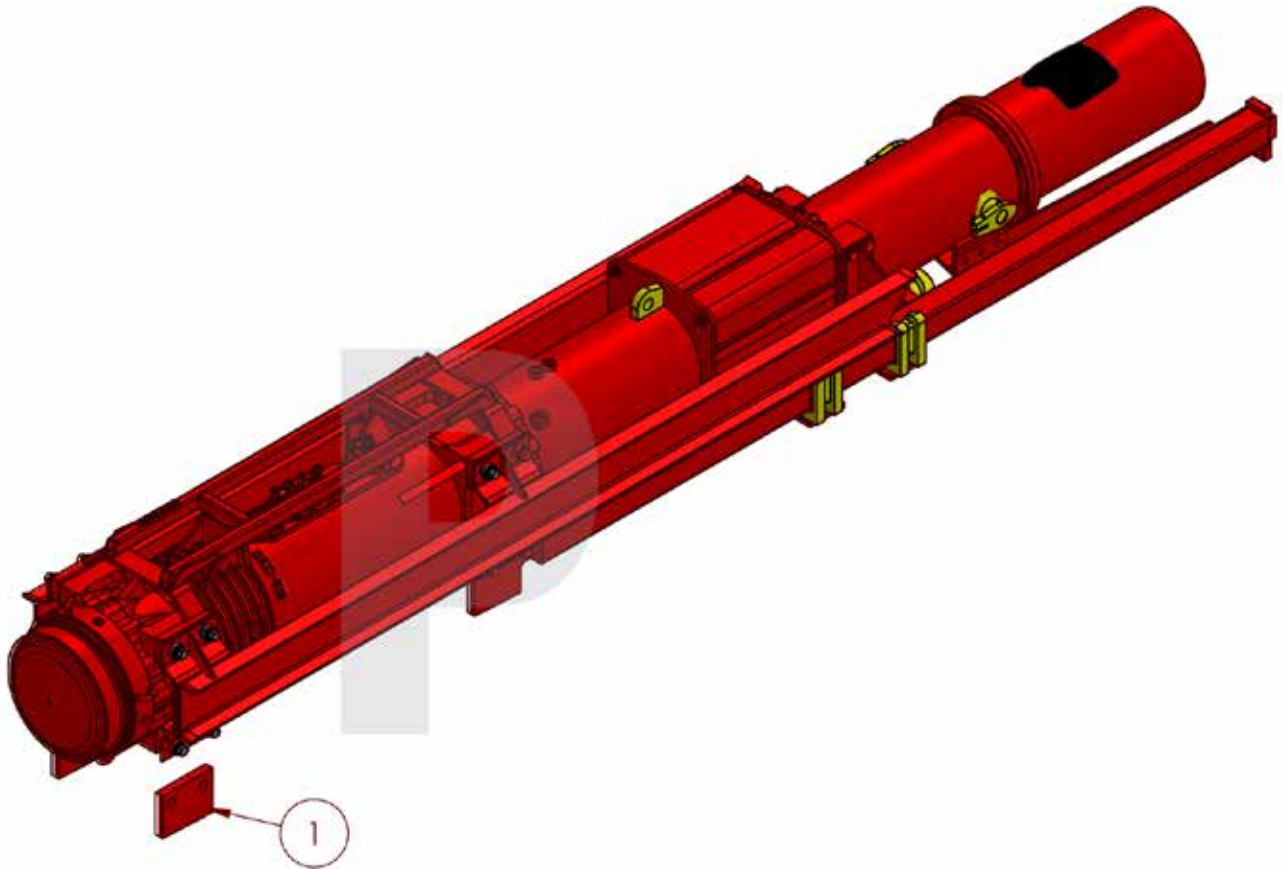
ITEM NO.	PART NUMBER	DESCRIPTION	QTY.	WEIGHT
1	8001035	8 X 4 X 1/4 RECTANGLE TUBE	1	229
2	8000602	24MM-3.0 X 160 HEX HEAD CAP SCREW 8.8	4	8
3	203103	24-3.00 NYLON INSERT LOCKNUT	4	2

## Pump Guard



ITEM NO.	PART NUMBER	DESCRIPTION	QTY.
1	204201	D22/25/30 PUMP GUARD	1

---

**Block Stand**


ITEM NO.	PART NUMBER	DESCRIPTION	QTY.
1	204202	BLOCK STAND	1



**Tool Box**

ITEM NO.	PART NUMBER	DESCRIPTION	QTY.
1	8002385	TOOL BOX PART	1
2	626	PISTON RING FITTING PLIERS COMPLETE	1
3	90655	30 X 32 DOUBLE ENDED OPEN WRENCH	1
4	92015	17 X 19 DOUBLE ENDED OPEN WRENCH	1
5	90055	5MM HEX KEY	1
6	90862	6MM HEX KEY	1
7	90194	19MM HEX KEY	1
8	90795	GREASE GUN, 14 OZ	1
9	93551	MOLYLUBE GREASE	1
10	90443	19 X 22 OPEN END WRENCH	1
11	202013	PISTON RING BAND	1
12	93343	M48 RING SCREW	1
13	90657	8MM HEX KEY	1
14	93600	OIL CAN	1
15	95071	17MM WRENCH SINGLE OPEN END	1
16	90465	27MM SINGLE ENDED OPEN WRENCH	1
17	90354	PUNCH 4/8 DIAMETER	1
18	93349	PUNCH 12/16 DIAMETER	1
19	90791	GREASE NIPPLE M10 X 1	2
20	91321	10MM X 75 ROLL PIN	2
21	90160	6MM X 60 ROLL PIN	2
22	90785	PLIERS A19	1
23	94461	IMPACT SOCKET 36MM	1
24	90196	RACHET	1
25	95834	WRENCH 22 X 24	1
26	22700	ASSEMBLY PLATE COMPLETE	1
27	205016	IMPACT SOCKET 19MM	1
28	261513	SOCKET WRENCH SW32	1
29	206006	SINGLE ENDED OPEN SPANNER 36	1
30	90660	13MM WRENCH SINGLE OPEN END	1
31	90147	10MM X 32 DOWEL PIN (SPLIT)	2
32	205015	41MM SINGLE ENDED OPEN WRENCH	1
33	90184	SINGLE ENDED OPEN WRENCH 46	1
34	261512	13 X 15 DOUBLE ENDED RING WRENCH	1
35	90469	10MM HEX KEY	1
36	90079	14MM HEX KEY	1
37	205018	8 X 90 REGULATION ROPE	2
38	93352	SPANNER 375X46	1