

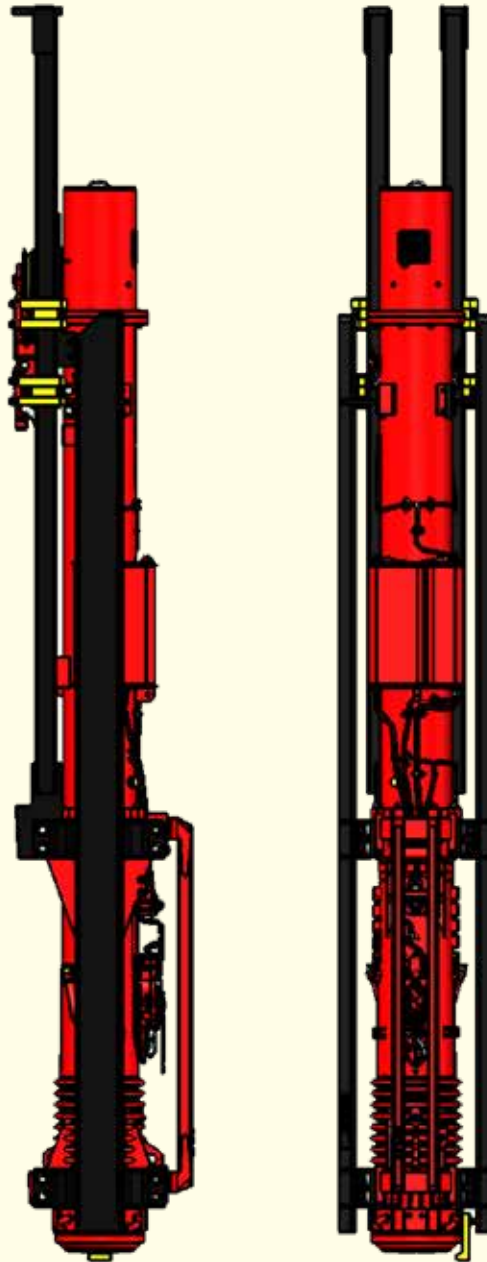


**PILECO INC.**

# Diesel Pile Hammer **D12-42**

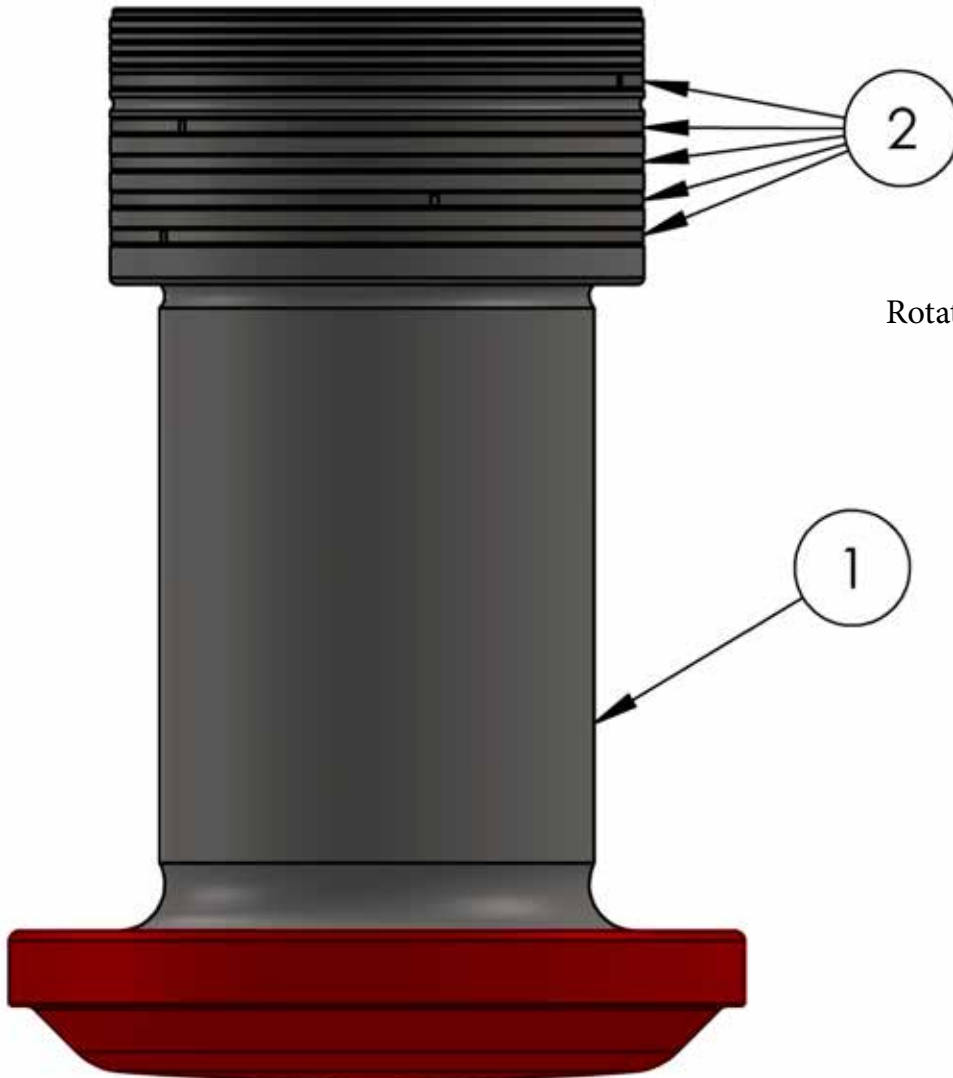
*Parts Manual*

**Parts Manual**



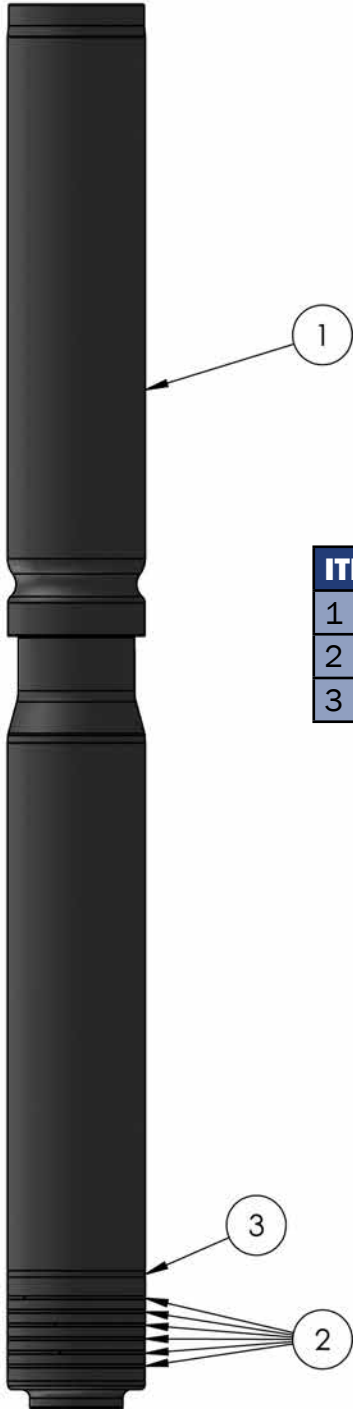
**Contents Page**

<b>Impact Block</b>	<b>page #3</b>
<b>Striking Weight Piston</b>	<b>page #4</b>
<b>Lower Cylinder Complete</b>	<b>page #5</b>
<b>Lube Pump</b>	<b>page #6-8</b>
<b>Lube Pump Cylinder Complete</b>	<b>page #9</b>
<b>Pressure Valve</b>	<b>page #10</b>
<b>Piston Complete</b>	<b>page #11</b>
<b>Manual Variable Delivery Fuel Pump</b>	<b>page #12-17</b>
<b>Pump Element 15mm</b>	<b>page #18</b>
<b>Stop Valve Complete</b>	<b>page #19</b>
<b>Suction Valve Complete</b>	<b>page #20</b>
<b>Check Non Return Valve</b>	<b>page #21</b>
<b>Hydraulic Variable Delivery Fuel Pump</b>	<b>page #22-24</b>
<b>Fuel Pump Control</b>	<b>page #25</b>
<b>Pigtail Installment</b>	<b>page #26</b>
<b>Hydraulic Hand Pump</b>	<b>page #27-28</b>
<b>Manifold Complete</b>	<b>page #29</b>
<b>Hand Pump 1/4" Hose assembly</b>	<b>page # 30</b>
<b>Fuel Injection Valve</b>	<b>page #31-33</b>
<b>Fuel Injection Device &amp; Fuel Tube Complete</b>	<b>page #34-35</b>
<b>Upper Cylinder Complete</b>	<b>page #36-38</b>
<b>Filter Elbow Complete</b>	<b>page #40</b>
<b>Lube Lines w/Connector</b>	<b>page #41</b>
<b>Fuel Line—Breather Line</b>	<b>page #42</b>
<b>Manual Starting Device—Trip</b>	<b>page #42-45</b>
<b>Hydraulic Push Start</b>	<b>page #46-48</b>
<b>Hydraulic Starting Device—Trip</b>	<b>page #49-50</b>
<b>Hydraulic Cylinder Complete</b>	<b>page #51</b>
<b>Hydraulic Cylinder Assembly</b>	<b>page #52</b>
<b>Hydraulic Start Cylinder Ring Kit</b>	<b>page #53</b>
<b>Counterbalance Valve</b>	<b>page #54</b>
<b>Guide Gibs and Starter Guide</b>	<b>page #55</b>
<b>Guiding Assembly Hardware Kit</b>	<b>page #57</b>
<b>U-21 X 8 LEAD GUIDING Assembly</b>	<b>page #58</b>
<b>U-26 X 8 LEAD GUIDING Assembly</b>	<b>page #59</b>
<b>SPACER BLOCK KIT 6"</b>	<b>page #60</b>
<b>Transportation Protection</b>	<b>page #61-62</b>
<b>Exhaust Cover Complete</b>	<b>page #63</b>
<b>Tool Box</b>	<b>page #64-65</b>

**Impact Block**


Rotate Rings 120° as stacked

ITEM NO.	PART NUMBER	DESCRIPTION	QTY.
1	119003	IMPACT BLOCK	1
2	2589	PISTON RING	5

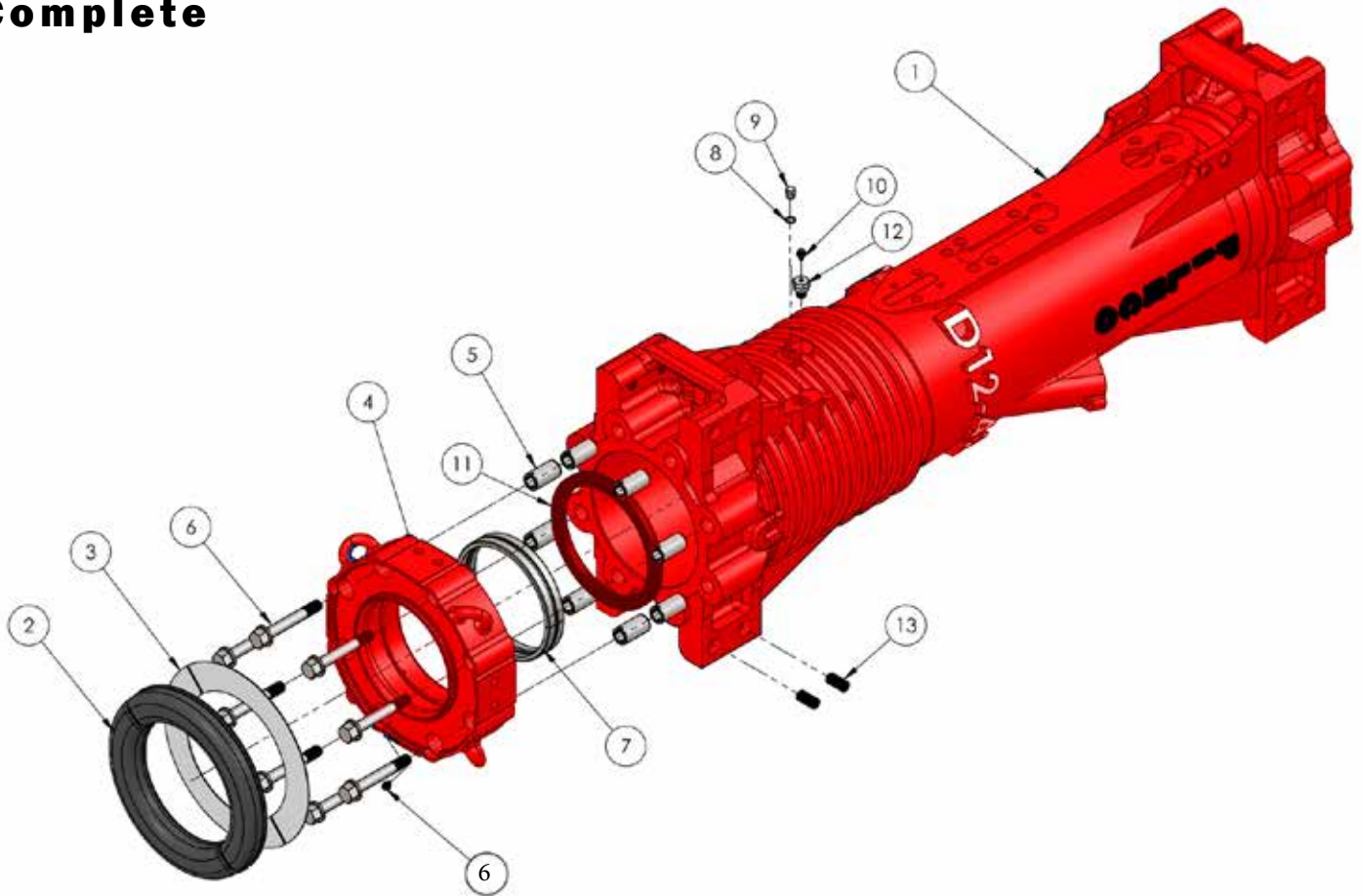
**Striking Weight (Piston)  
Complete**


ITEM NO.	PART NUMBER	DESCRIPTION	QTY.
1	148644	STRIKING WEIGHT(PISTON)	1
2	2589	PISTON RING	6
3	708	CATCH PISTON RING	1

**PILECO, Inc.**

office (936)494-4200 • 1-800-409-0018 • fax (936)494-4517  
[www.Pileco.com](http://www.Pileco.com) • 491 Conroe Park W. Dr. • Conroe, TX 77303

## Lower Cylinder Complete



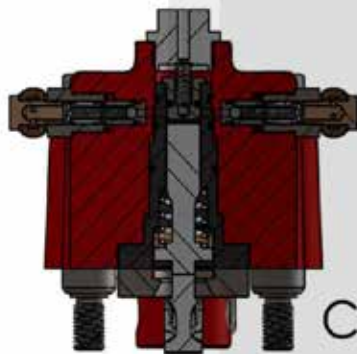
ITEM NO.	PART NUMBER	DESCRIPTION	QTY.
1	202001	LOWER CYLINDER PART D12	1
2	102101	RUBBER RING	1
3	202002	RUBBER RING SPACER	1
4	119019	OUTER ENDRING COMPLETE (2PCS)	1
5	95195	40 X 75 DOWEL PIN	8
6	20174	M24 X 165 HEX BOLT	8
7	119005	INNER END RING	1
8	90002	SEALING RING 18 X 22	1
9	91460	M18 X 1.5 DIN 910 HEX PLUG	1
10	90791	GREASE NIPPLE M10 X 1	2
11	119048	INNER DAMP RING	1
12	22592	REDUCER	1
13	95582	THREADED INSERT M24	16

**PILECO, Inc.**

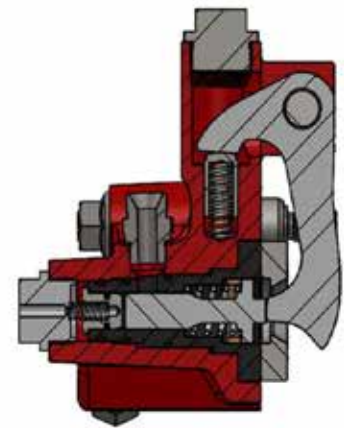
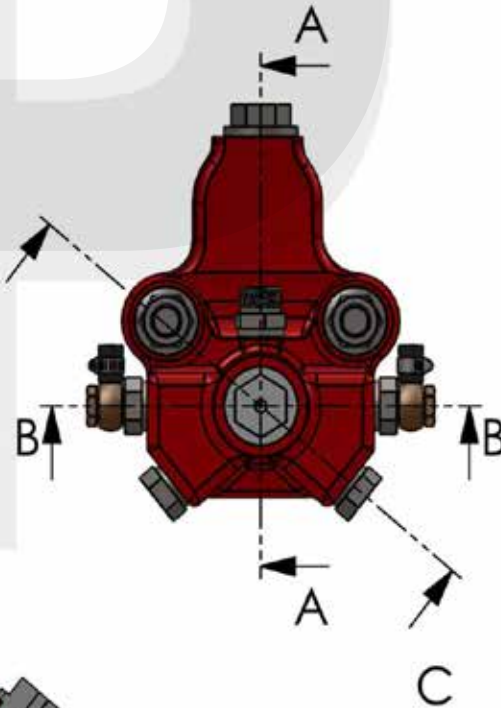
office (936)494-4200 • 1-800-409-0018 • fax (936)494-4517  
 www.Pileco.com • 491 Conroe Park W. Dr. • Conroe, TX 77303



# ***Lube Pump***

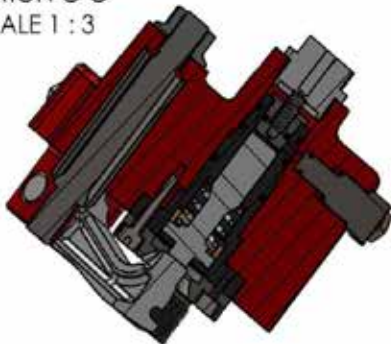


SECTION B-B  
SCALE 1 : 3

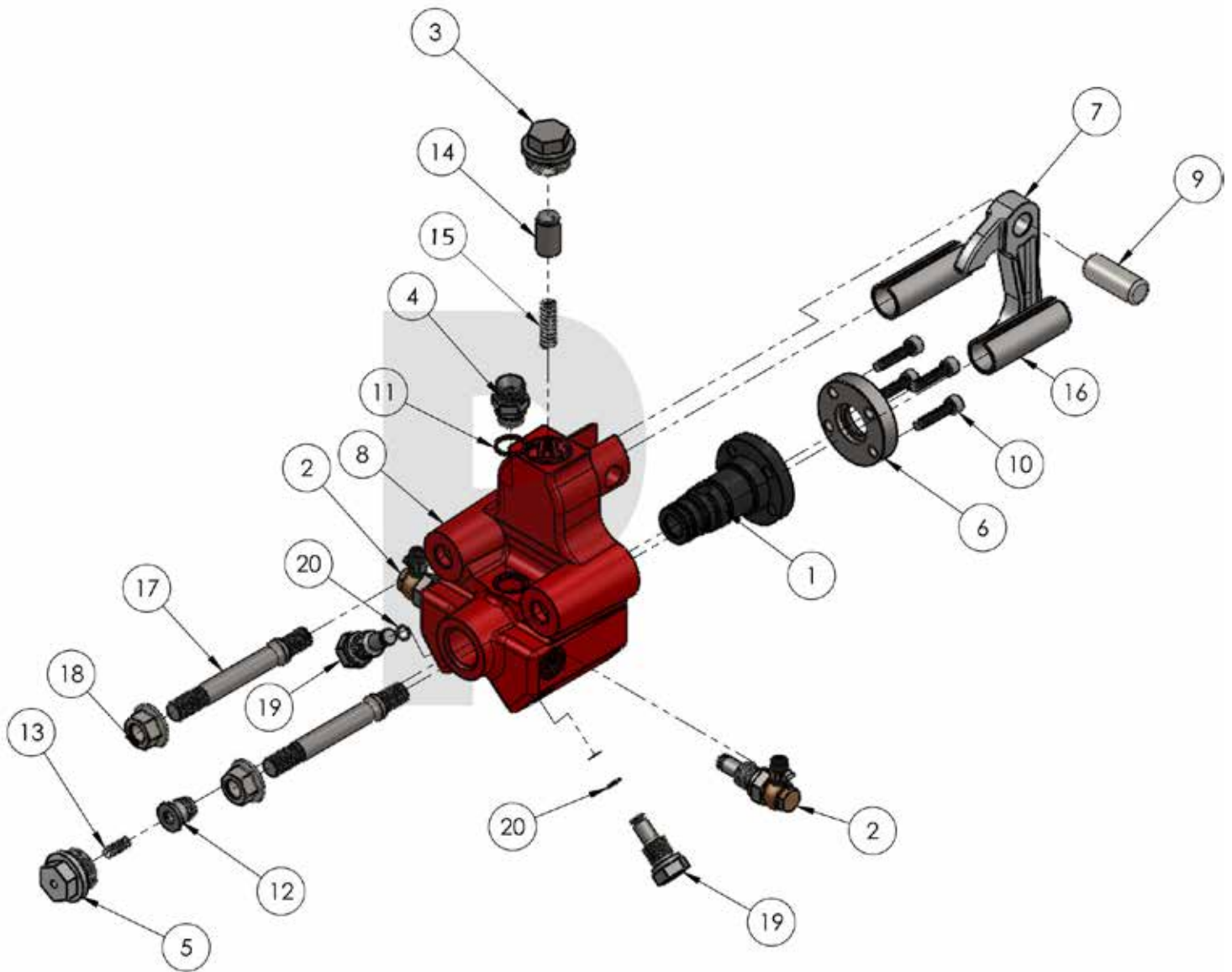


SECTION A-A  
SCALE 1 : 3

SECTION C-C  
SCALE 1 : 3



**Lube Pump  
Complete**



Lube Pump Complete continued.....

**PILECO, Inc.**

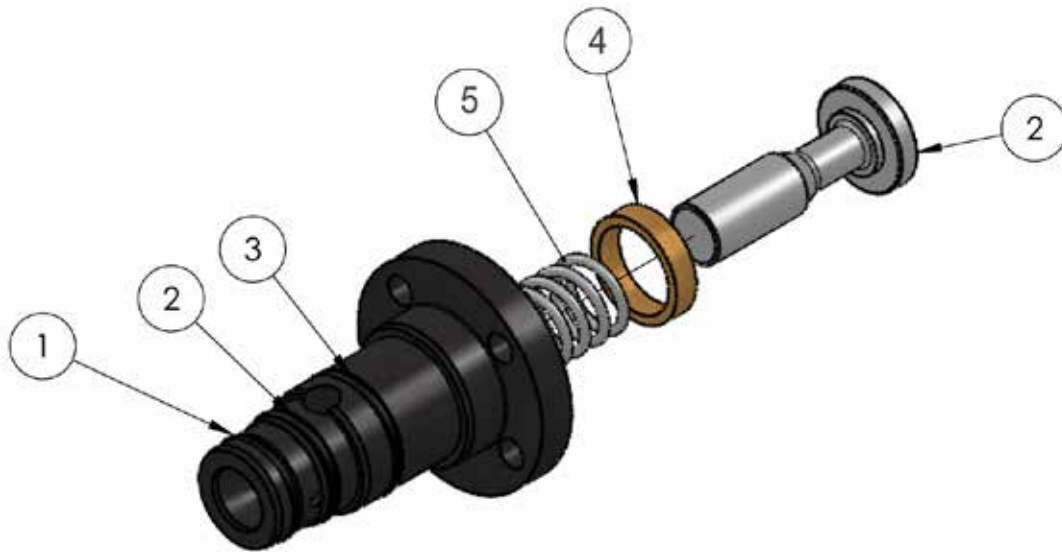
office (936)494-4200 • 1-800-409-0018 • fax (936)494-4517  
www.Pileco.com • 491 Conroe Park W. Dr. • Conroe, TX 77303

**Lube Pump  
Complete**

ITEM NO.	PART NUMBER	DESCRIPTION	QTY.
1	67279	CYLINDER COMPLETE	1
2	108317	PRESSURE VALVE COMPLETE	2
3	91976	PLUG SCREW	1
4	67290	ADAPTER	1
5	108311	PLUG SCREW	1
6	67282	WASHER	1
7	22081	LUBE PUMP LEVER	1
8	108315	LUBE PUMP BODY	1
9	22082	PUMP LEVER PIN	1
10	90937	8-1.25MM X 35 SOCKET HEAD CAPSCREW	4
11	92031	SEALING RING A20 X 24	1
12	67284	PISTON COMPLETE	1
13	190479	PRESSURE SPRING 7.3 X 29.4 X 1.2	1
14	22090	SLEEVE	1
15	22089	PRESSURE SPRING 10 X 43 X 2	1
16	94315	DOWEL PIN 28 X 80 DIN 7346	2
17	20189	PUMP STUD M16	2
18	94722	M16 WASHER NUT	2
19	108316	PLUG SCREW	2
20	97855	O RING 8 X 2	1

**PILECO, Inc.**

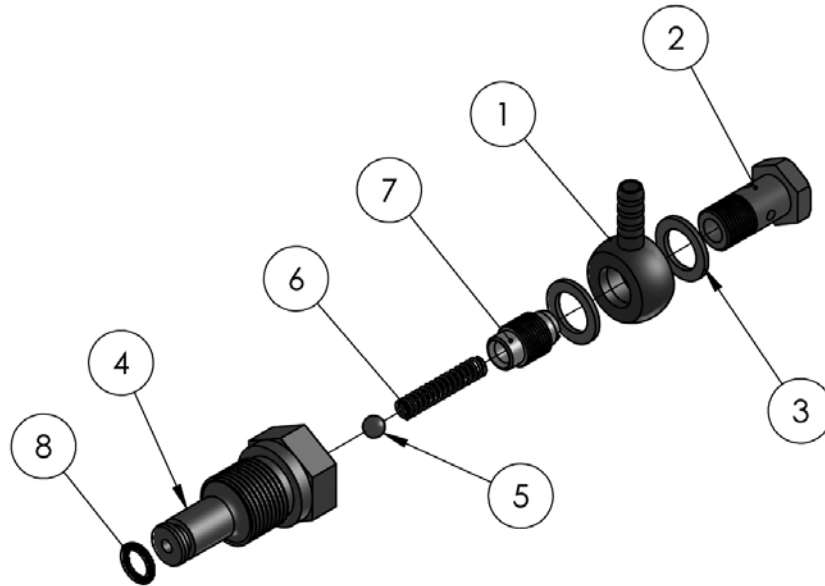
office (936)494-4200 • 1-800-409-0018 • fax (936)494-4517  
www.Pileco.com • 491 Conroe Park W. Dr. • Conroe, TX 77303

**Lube Pump Cylinder  
Complete**


ITEM NO.	PART NUMBER	DESCRIPTION	QTY.
1	205020	O RING 24 X 3	1
2	91357	O RING 26 X 3	1
3	92952	O RING 30 X 3	1
4	67283	RING	1
5	97325	PRESSURE SPRING 22 X 52 X 2, 8	1

**PILECO, Inc.**

office (936)494-4200 • 1-800-409-0018 • fax (936)494-4517  
 www.Pileco.com • 491 Conroe Park W. Dr. • Conroe, TX 77303

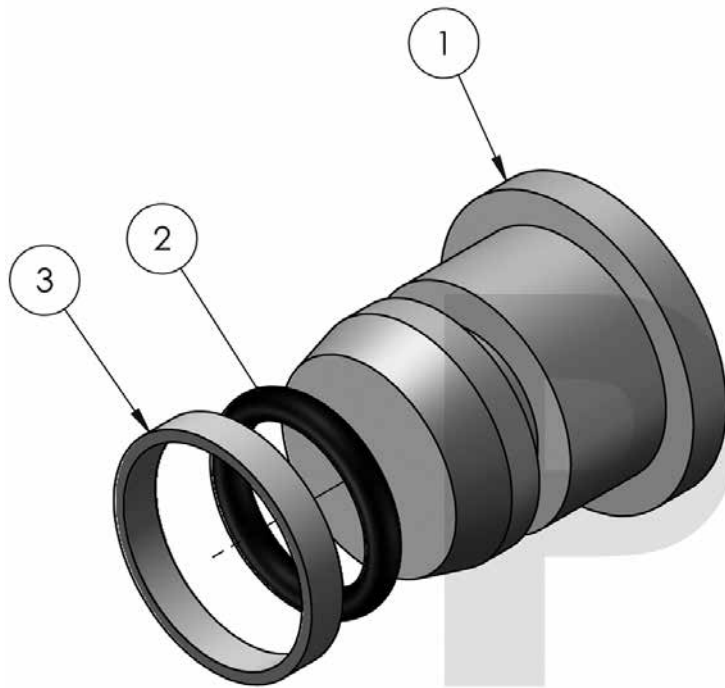
**Pressure Valve  
Complete**


ITEM NO.	PART NUMBER	DESCRIPTION	QTY.
1	97949	RING NIPPLE	1
2	97948	HOLLOW SCREW A6 DIN 7623-6.8	1
3	91417	SEALING RING A12 X 15.5 DIN 7603-CU	2
4	108319	ADAPTER	1
5	90307	BALL 6MM DIN 5401	1
6	190005	PRESSURE SPRING 5 X 36 X 0.8	1
7	104679	PLUG SCREW	1
8	97855	8 X 2 O-RING	1

**SOLD  
TOGETHER**

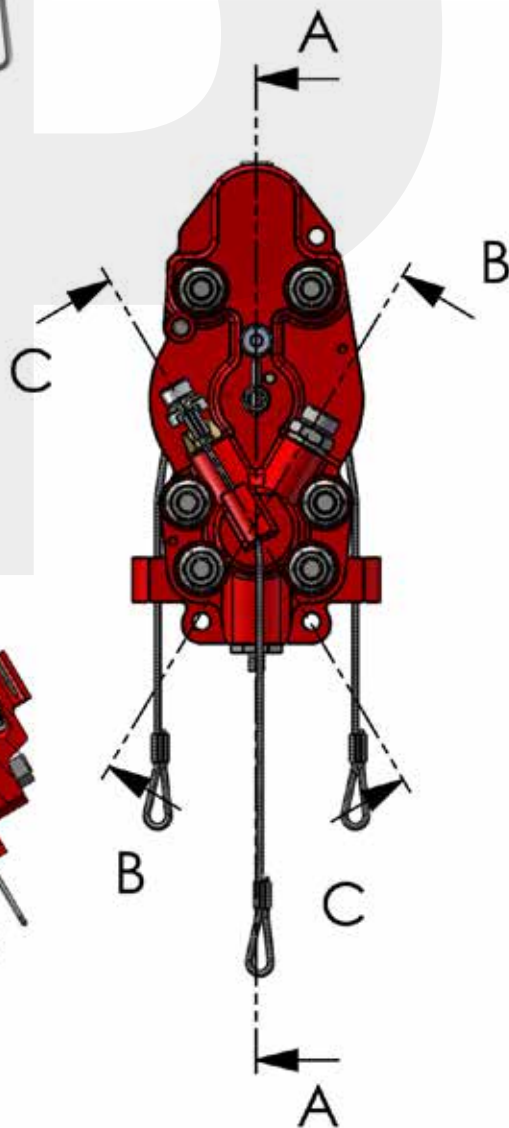
**PILECO, Inc.**

office (936)494-4200 • 1-800-409-0018 • fax (936)494-4517  
www.Pileco.com • 491 Conroe Park W. Dr. • Conroe, TX 77303

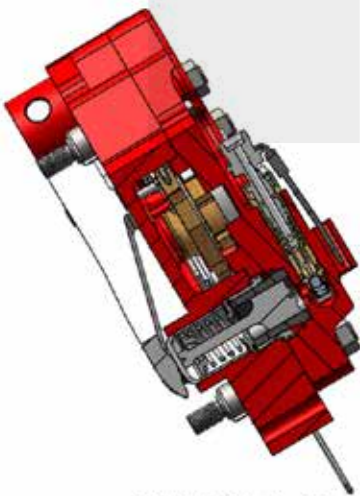
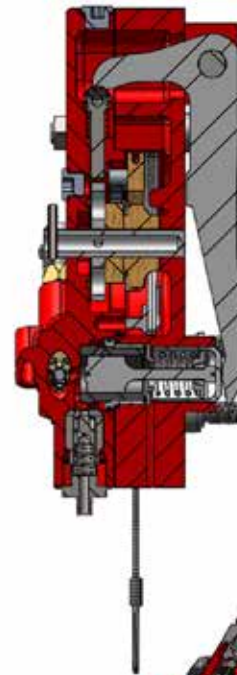
**Piston  
Complete**

ITEM NO.	PART NUMBER	DESCRIPTION	QTY.
1	67285	PISTON	1
2	97326	O RING	1
3	97326	SLIP RING	1

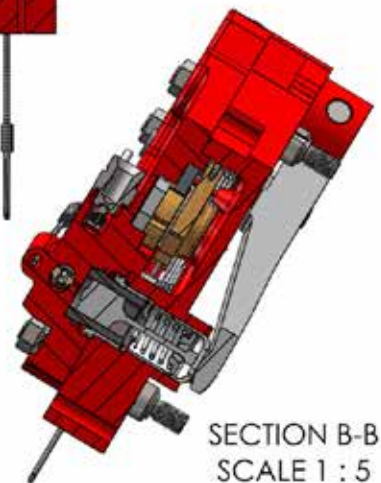
# Manual Delivery Fuel Pump



SECTION A-A  
SCALE 1 : 5

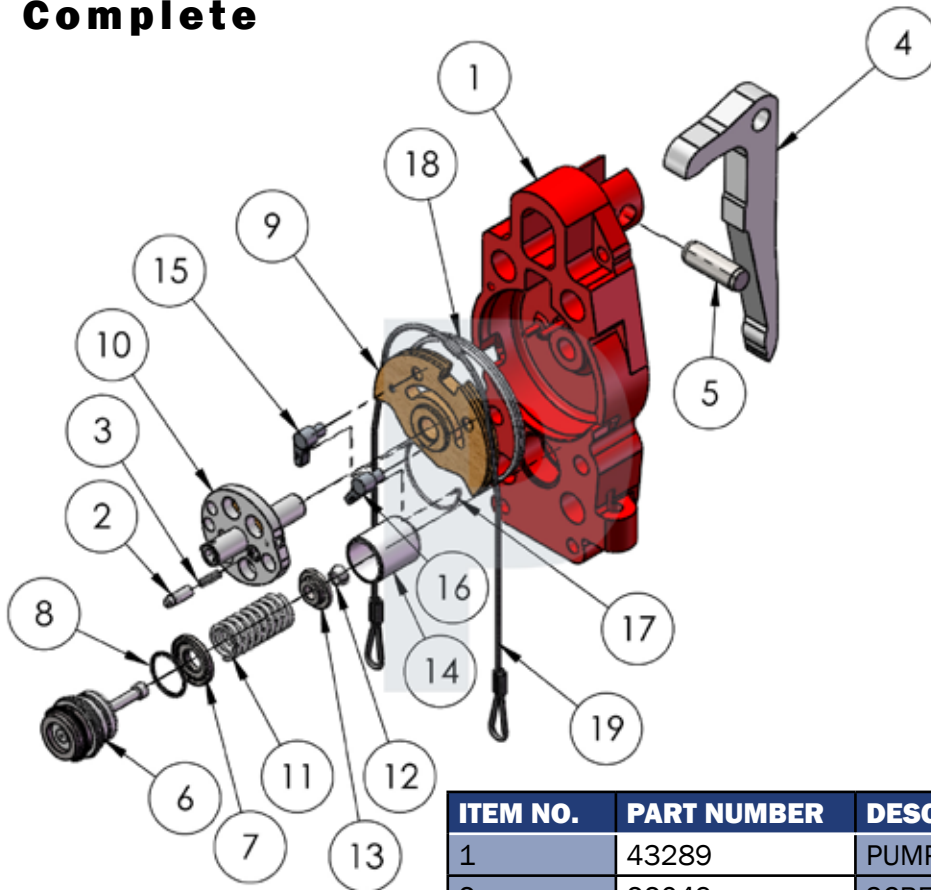


SECTION C-C  
SCALE 1 : 5



SECTION B-B  
SCALE 1 : 5

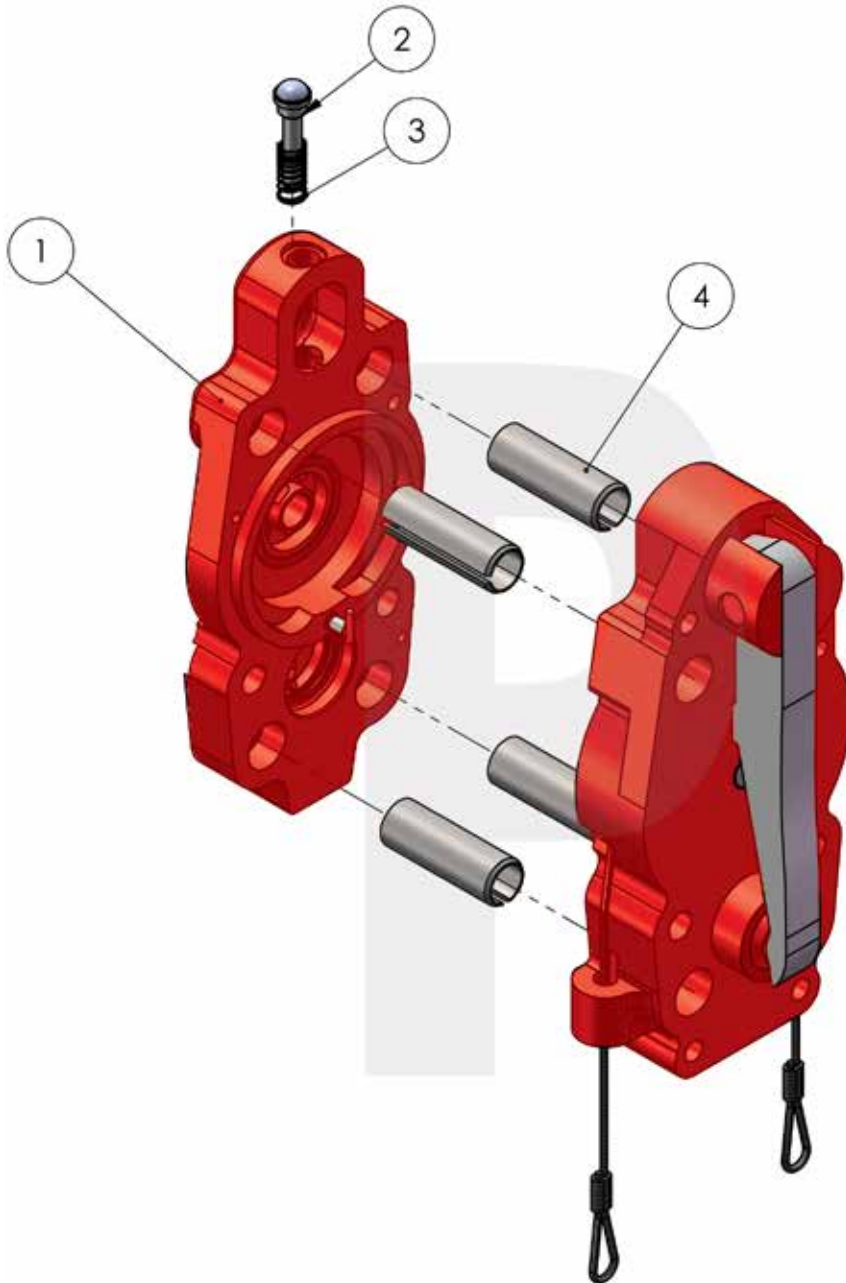
## Variable Delivery Fuel Pump Complete



ITEM NO.	PART NUMBER	DESCRIPTION	QTY.
1	43289	PUMP BODY	1
2	22049	SCREEN PIN	1
3	22044	PRESSURE SPRING 5.5 X 20 X 1.2	1
4	41869	PUMP LEVER	1
5	22043	PUMP LEVER PIN	1
6	122470	D12 PUMP ELEMENT 15MM	1
7	43994	HOLDER RING	1
8	92996	ROUND SEALING RING 35 X 2.5	1
9	22040	ROPE DISC	1
10	43308	SWITCH SHAFT	1
11	22060	PRESSURE SPRING 28 X 67.2 X 3.5	1
12	22059	CONICAL RING 2 PCS	1
13	22058	SPRING RETAINING COLLAR	1
14	43287	GUIDE SLEEVE	1
15	22051	CAM	1
16	22052	CAM	1
17	22245	SPRING	1
18	22062	SWIVEL SPRING	1
19	17546	REGULATION ROPE	1

**PILECO, Inc.**

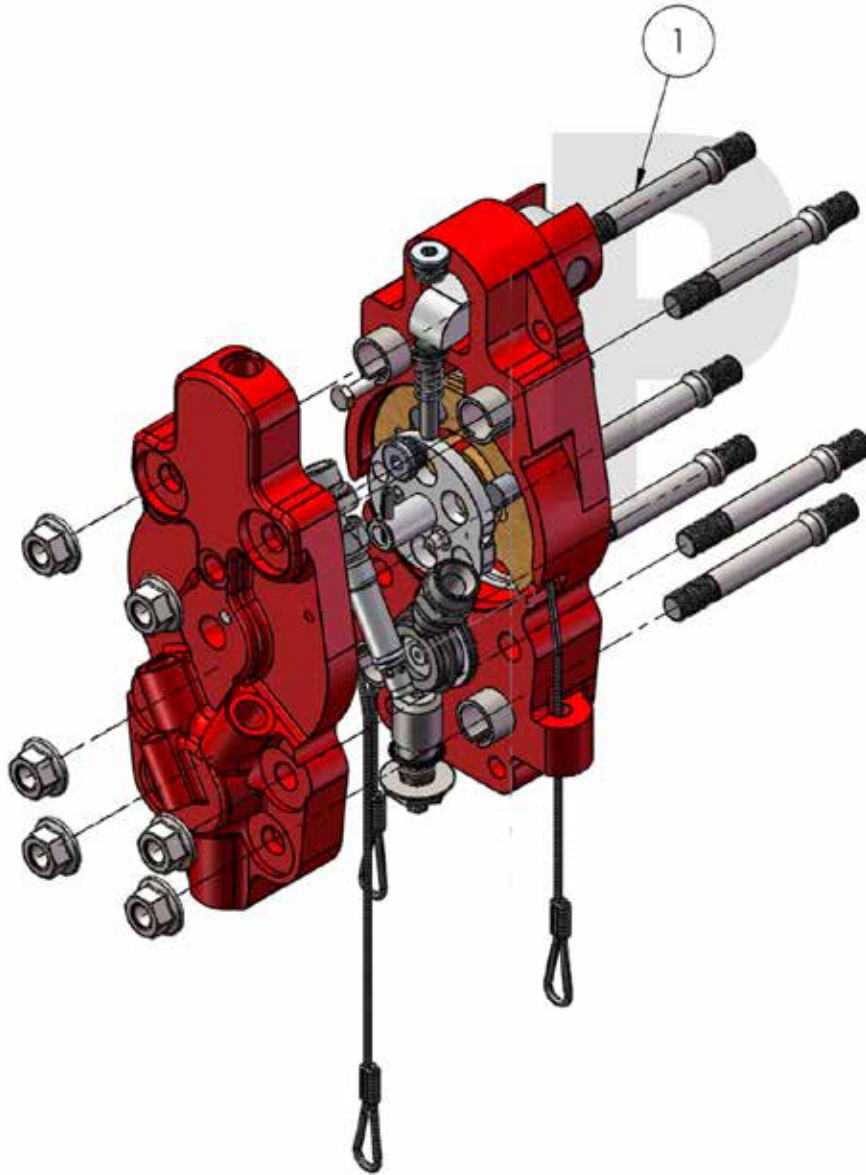
office (936)494-4200 • 1-800-409-0018 • fax (936)494-4517  
 www.Pileco.com • 491 Conroe Park W. Dr. • Conroe, TX 77303

**Variable Delivery Fuel Pump  
Complete**


ITEM NO.	PART NUMBER	DESCRIPTION	QTY.
1	43291	PUMP COVER	1
2	62125	PRESSURE PIECE	1
3	22046	PRESSURE SPRING	1
4	94315	DOWEL PIN 28 X 80	4

**PILECO, Inc.**

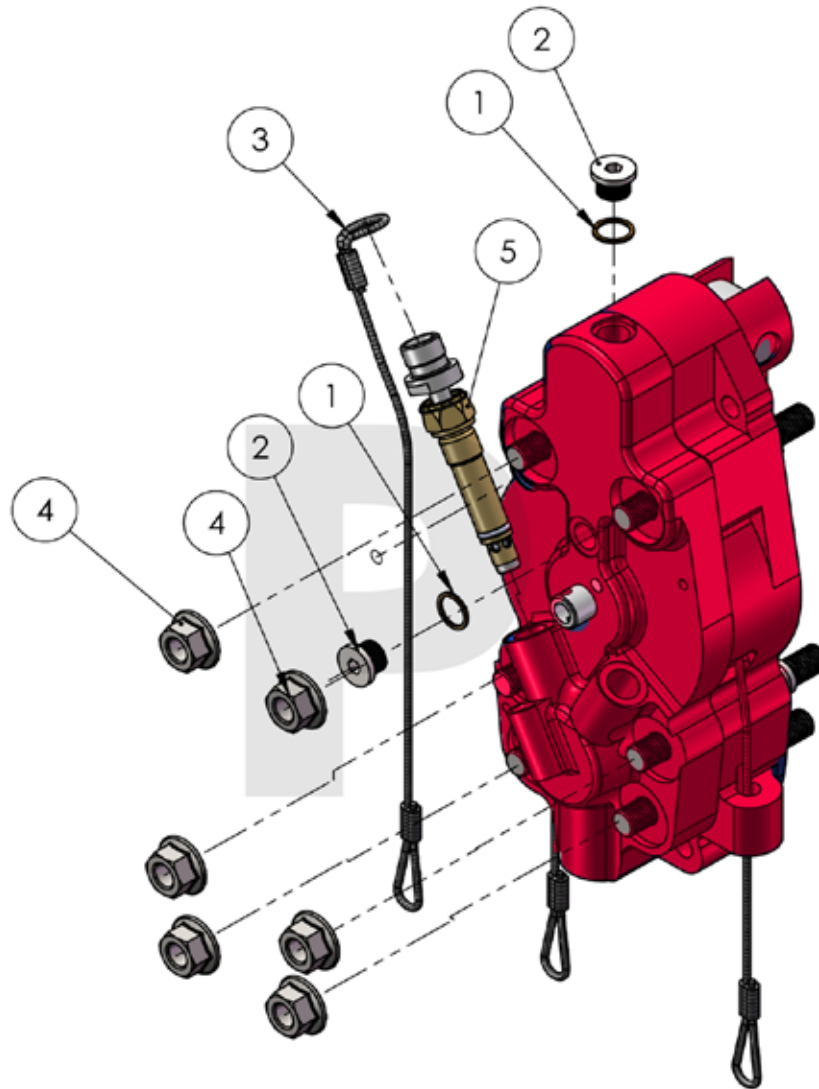
office (936)494-4200 • 1-800-409-0018 • fax (936)494-4517  
[www.Pileco.com](http://www.Pileco.com) • 491 Conroe Park W. Dr. • Conroe, TX 77303

**Variable Delivery Fuel Pump  
Complete**


ITEM NO.	PART NUMBER	DESCRIPTION	QTY.
1	20189	PUMP STUD M16	6

**PILECO, Inc.**

office (936)494-4200 • 1-800-409-0018 • fax (936)494-4517  
[www.Pileco.com](http://www.Pileco.com) • 491 Conroe Park W. Dr. • Conroe, TX 77303

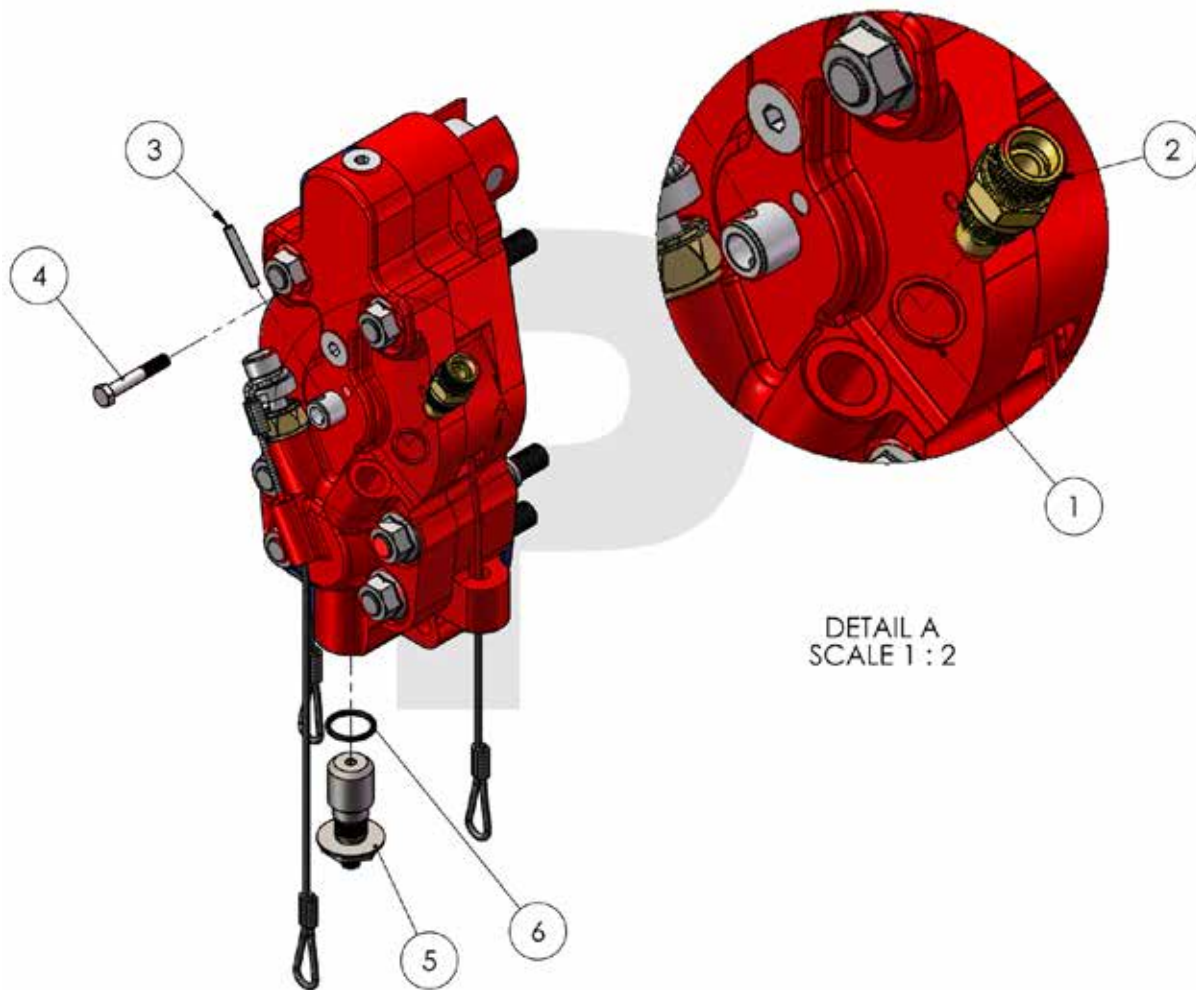
**Variable Delivery Fuel Pump  
Complete**


ITEM NO.	PART NUMBER	DESCRIPTION	QTY.
1	90002	SEALING RING A18 X 22	2
2	93055	PLUG SCREW M18 X 1.5	2
3	17546	REGULATING ROPE	1
4	94722	M16 WASHER NUT	6
5	41868	STOP VALVE COMPLETE	1

**PILECO, Inc.**

office (936)494-4200 • 1-800-409-0018 • fax (936)494-4517  
[www.Pileco.com](http://www.Pileco.com) • 491 Conroe Park W. Dr. • Conroe, TX 77303

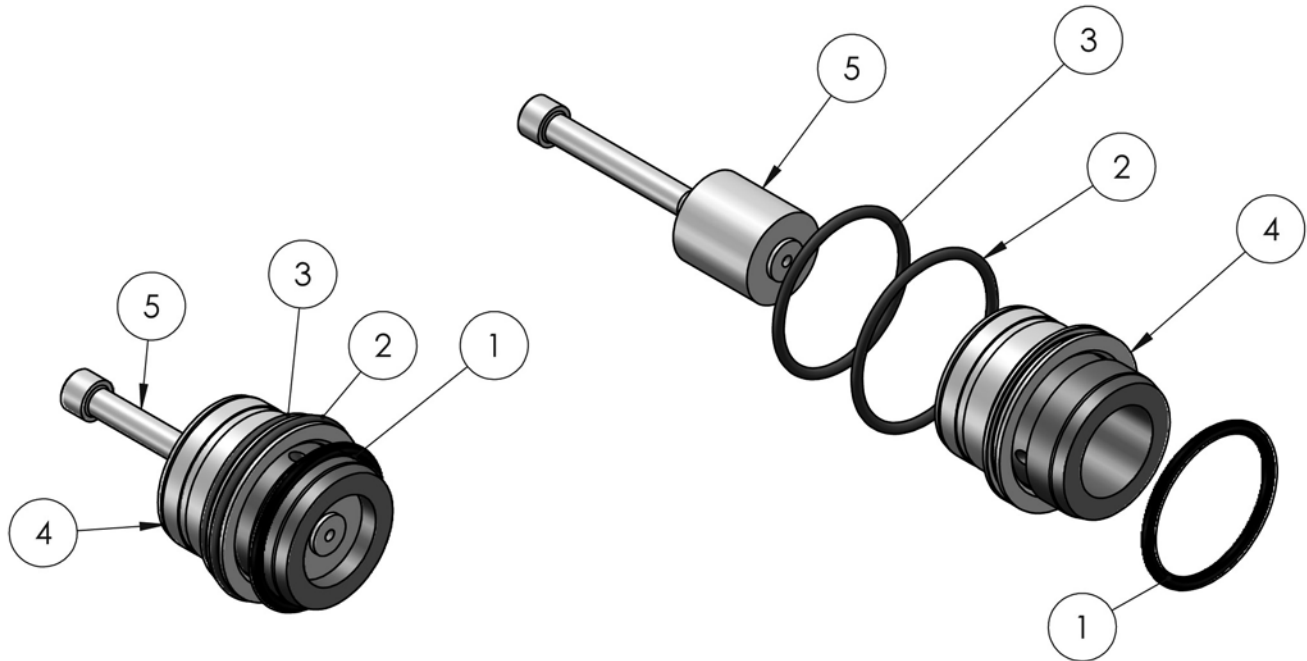
## Variable Delivery Fuel Pump Complete



ITEM NO.	PART NUMBER	DESCRIPTION	QTY.
1	92031	SEALING RING A20 X 24	1
2	41863	SUCTION VALVE	1
3	90150	DOWEL PIN 6 X 40	1
4	93456	LOCKING SCREW M8 X 50	1
5	43296	CHECK NON-RETURN VALVE COMPLETE	1
6	91296	O-RING 22 X 3	1

**PILECO, Inc.**

office (936)494-4200 • 1-800-409-0018 • fax (936)494-4517  
 www.Pileco.com • 491 Conroe Park W. Dr. • Conroe, TX 77303

**15MM Pump Element  
Complete**


**Sold as one complete unit!**

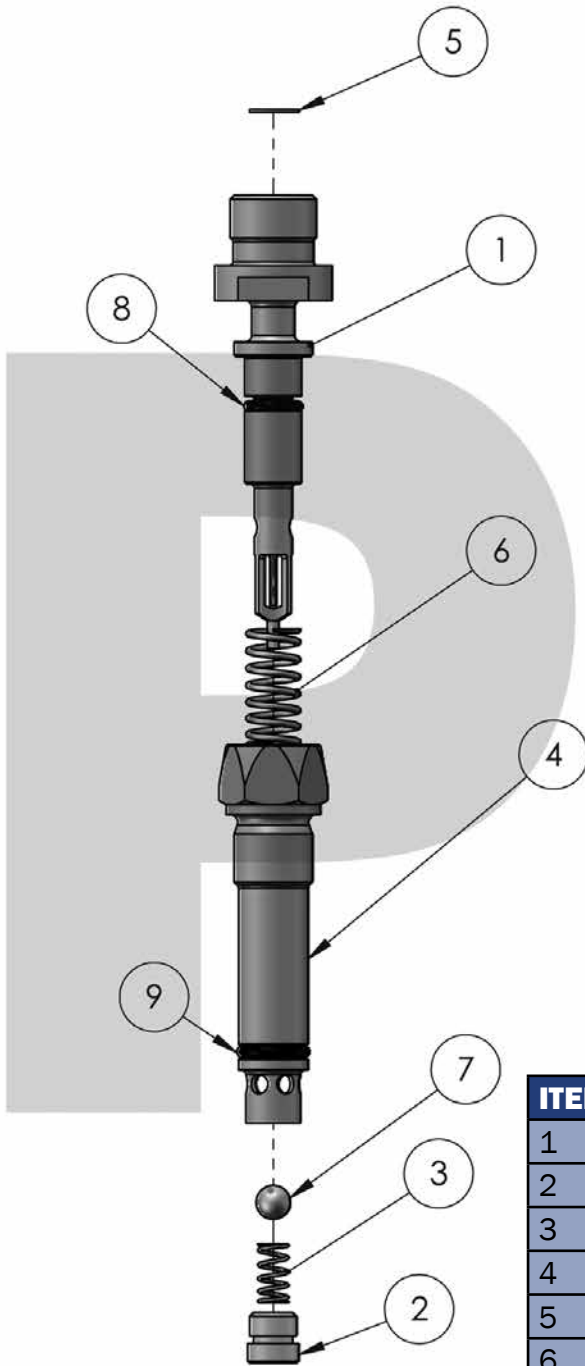
ITEM NO.	PART NUMBER	DESCRIPTION	QTY.
1	95933	O-RING 42 X 3	1
2	91322	O-RING 44 X 3	1
3	91339	O-RING 40 X 2.5	1
4	122470	15MM ELEMENT BODY	1
5	122470	15MM ELEMENT PLUNGER	1

TOGETHER

**PILECO, Inc.**

office (936)494-4200 • 1-800-409-0018 • fax (936)494-4517  
www.Pileco.com • 491 Conroe Park W. Dr. • Conroe, TX 77303

## Stop Valve Complete

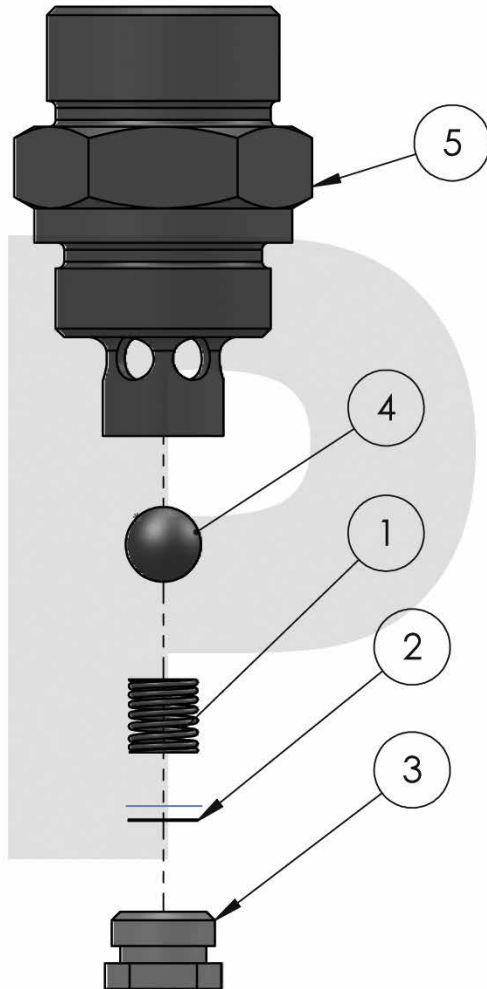


ITEM NO.	PART NUMBER	DESCRIPTION	QTY.
1	43138	VALVE PISTON	1
2	22021	THREADED PLUG	1
3	98929	PRESSURE SPRING	1
4	43130	VALVE SCREW	1
5	95768	CIRCLIP 20 X 1	1
6	43279	PRESSURE SPRING	1
7	98511	BALL 8.731MM	1
8	91894	O-RING 8 X 3	1
9	94316	O-RING 12 X 3	1

**PILECO, Inc.**

office (936)494-4200 • 1-800-409-0018 • fax (936)494-4517  
[www.Pileco.com](http://www.Pileco.com) • 491 Conroe Park W. Dr. • Conroe, TX 77303

## Suction Valve Complete

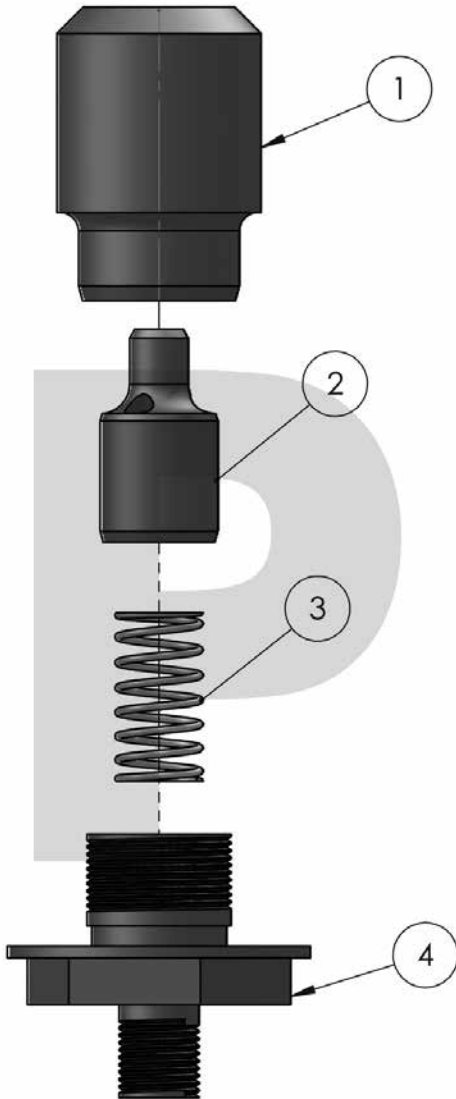


ITEM NO.	PART NUMBER	DESCRIPTION	QTY.
1	22022	PRESSURE SPRING 7.3 X 8 X 0.7	1
2	22023	WASHER	2
3	41862	THREADED PLUG	1
4	98511	BALL 8.731MM	1
5	41861	SLEEVE	1

**PILECO, Inc.**

office (936)494-4200 • 1-800-409-0018 • fax (936)494-4517  
[www.Pileco.com](http://www.Pileco.com) • 491 Conroe Park W. Dr. • Conroe, TX 77303

## Check Non-Return Valve Complete

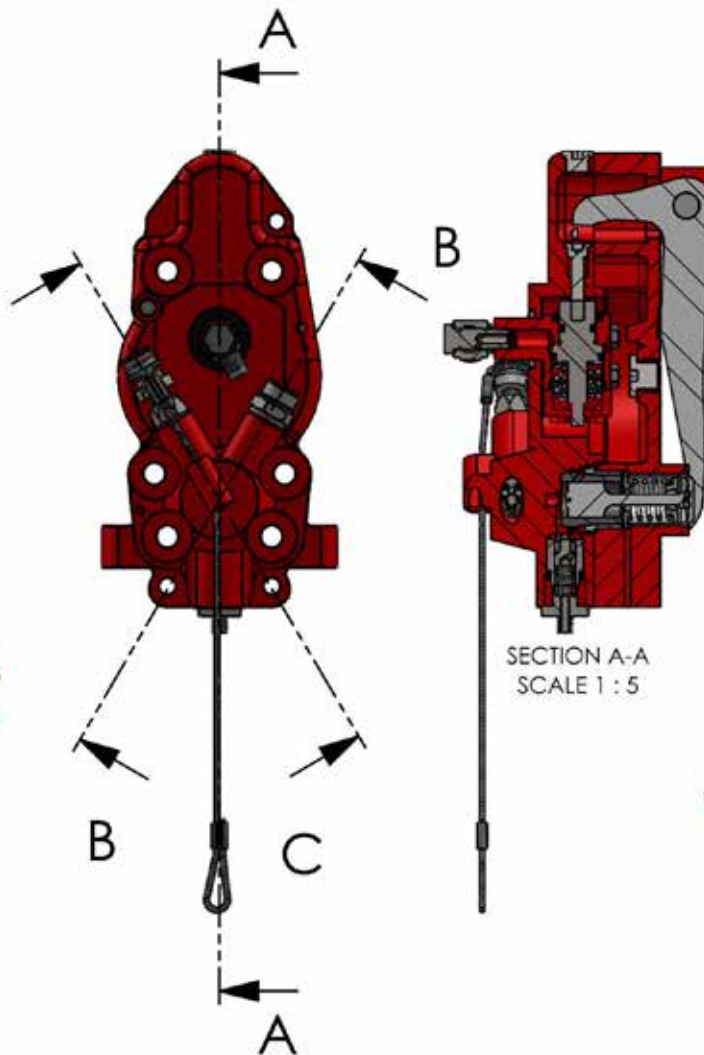


ITEM NO.	PART NUMBER	DESCRIPTION	QTY.
1	43297	HOUSING	1
2	43299	VALVE PISTON	1
3	22034	PRESSURE SPRING	1
4	43298	RING TYPE NIPPLE	1

**PILECO, Inc.**

office (936)494-4200 • 1-800-409-0018 • fax (936)494-4517  
[www.Pileco.com](http://www.Pileco.com) • 491 Conroe Park W. Dr. • Conroe, TX 77303

# Hydraulic Delivery Fuel Pump

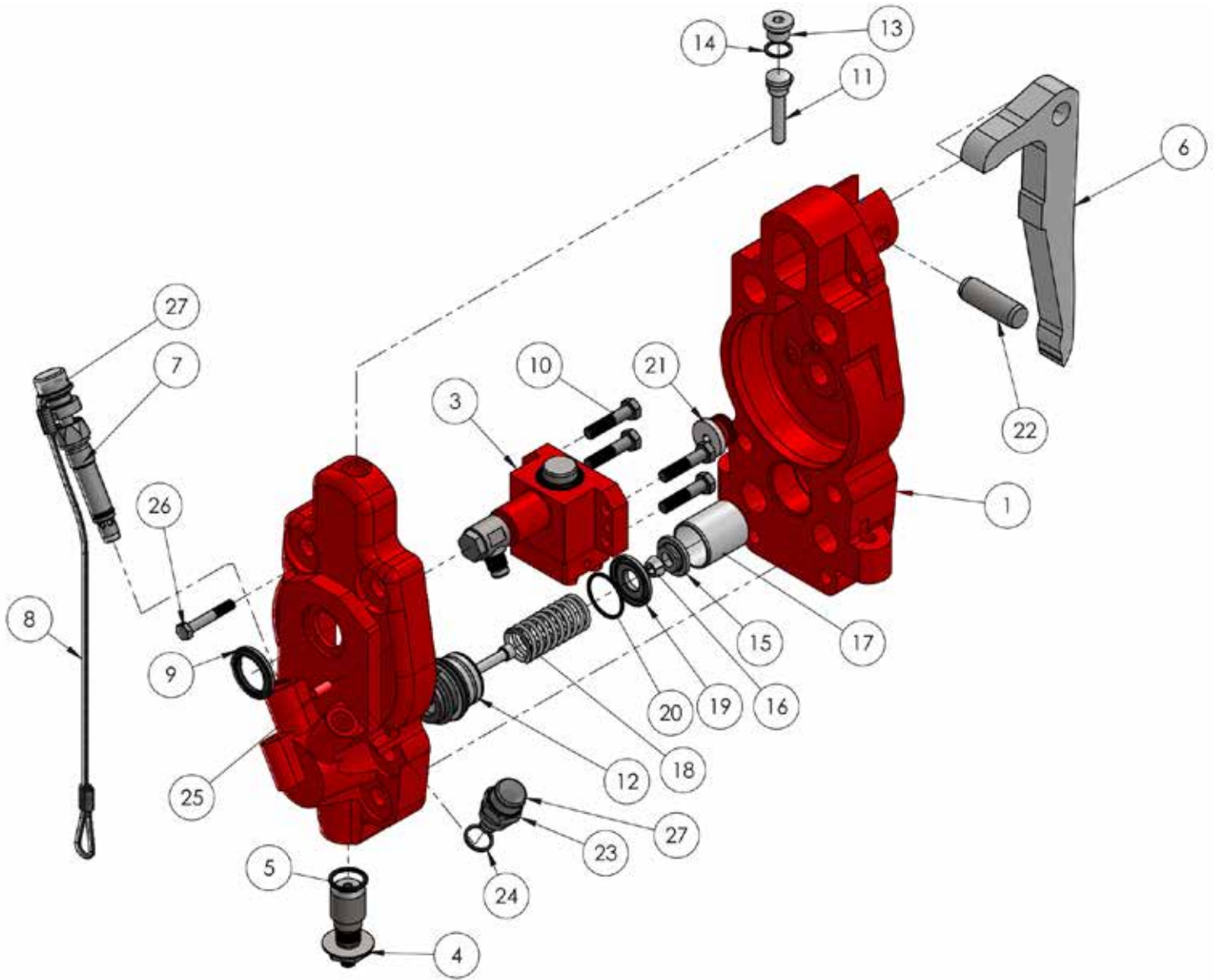


SECTION A-A  
SCALE 1 : 5

SECTION C-C  
SCALE 1 : 5

SECTION B-B  
SCALE 1 : 5

**Hydraulic Variable Delivery Fuel Pump  
Complete**



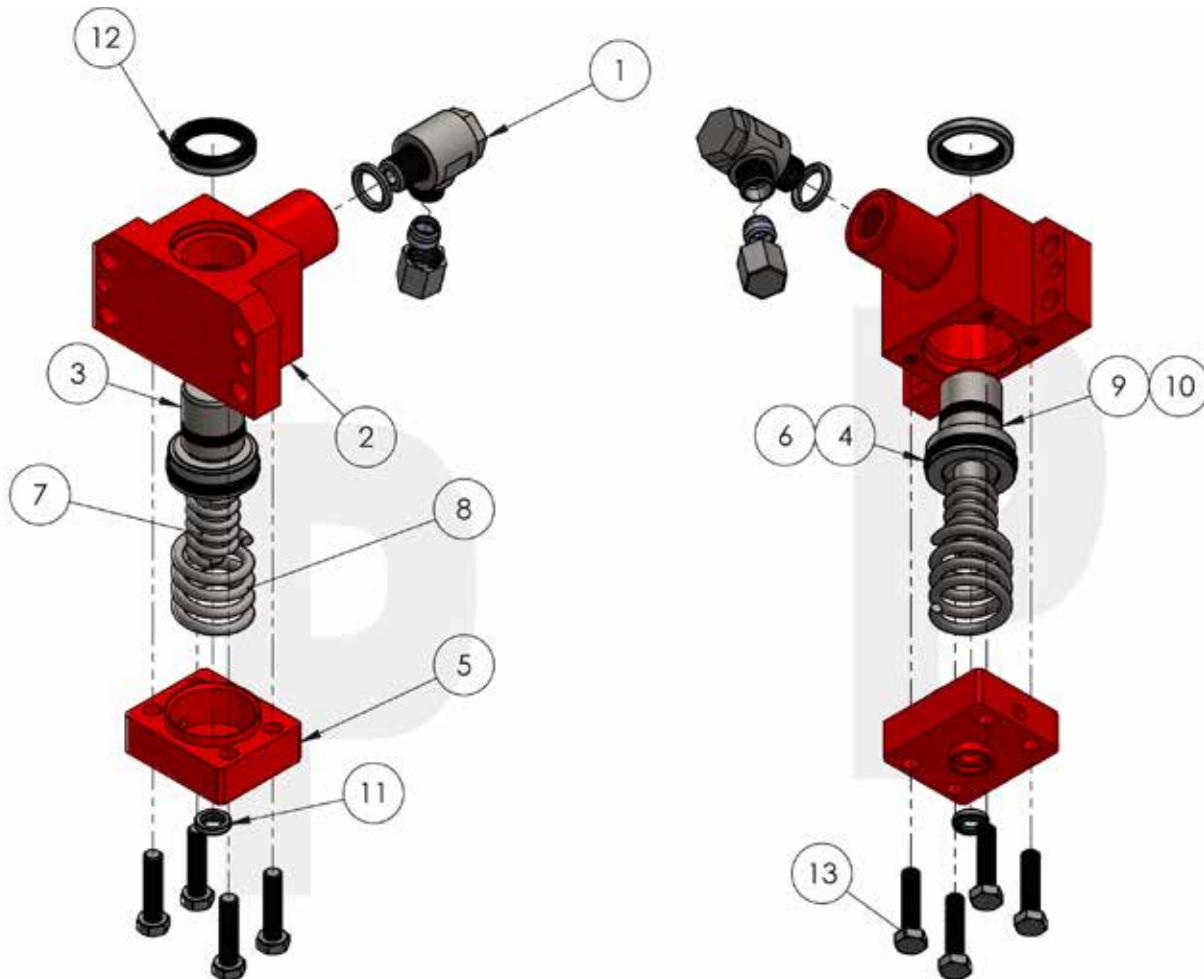
**Hydraulic Variable Fuel Pump Continued.....**

## Hydraulic Variable Delivery Fuel Pump Complete

ITEM NO.	PART NUMBER	DESCRIPTION	QTY.
1	205503	PUMP BODY	1
2	205508	PUMP COVER	1
3	122446-C	FUEL PUMP CONTROL COMPLETE	1
4	43296	CHECK NON RETURN VALVE COMPLETE	1
5	91296	O RING 22 X 3	1
6	41869	PUMP LEVER	1
7	41868	STOP VALVE COMPLETE	1
8	17546	REGULATING ROPE	1
9	205507	DUST RING	1
10	93414	10-1.5 X 30 HEX HEAD CAPSCREW 8.8	4
11	205501	PRESSURE PIECE	1
12	122470	D12 PUMP ELEMENT 15MM	1
13	93055	PLUG SCREW 18 X 1.5	1
14	90002	SEALING RING 18 X 22	1
15	22058	SPRING RETAINING COLLAR	1
16	22059	CONICAL RING 2 PCS	1
17	43287	GUIDE SLEEVE	1
18	22060	PRESSURE SPRING 28 X 67.2 X 3.5	1
19	43995	HOLDER RING	1
20	92996	ROUND SEALING RING 35 X 2.5	1
21	91885	PLUG SCREW M26 X 1.5	1
22	22043	PIN	1
23	41863	SUCTION VALVE	1
24	92031	SEALING RING A20 X 24	1
25	205506	DOWEL PIN 8 X 20	1
26	93456	LOCKING SCREW M8 X 50	1
27	93236	PROTECTION CAP	2

**PILECO, Inc.**

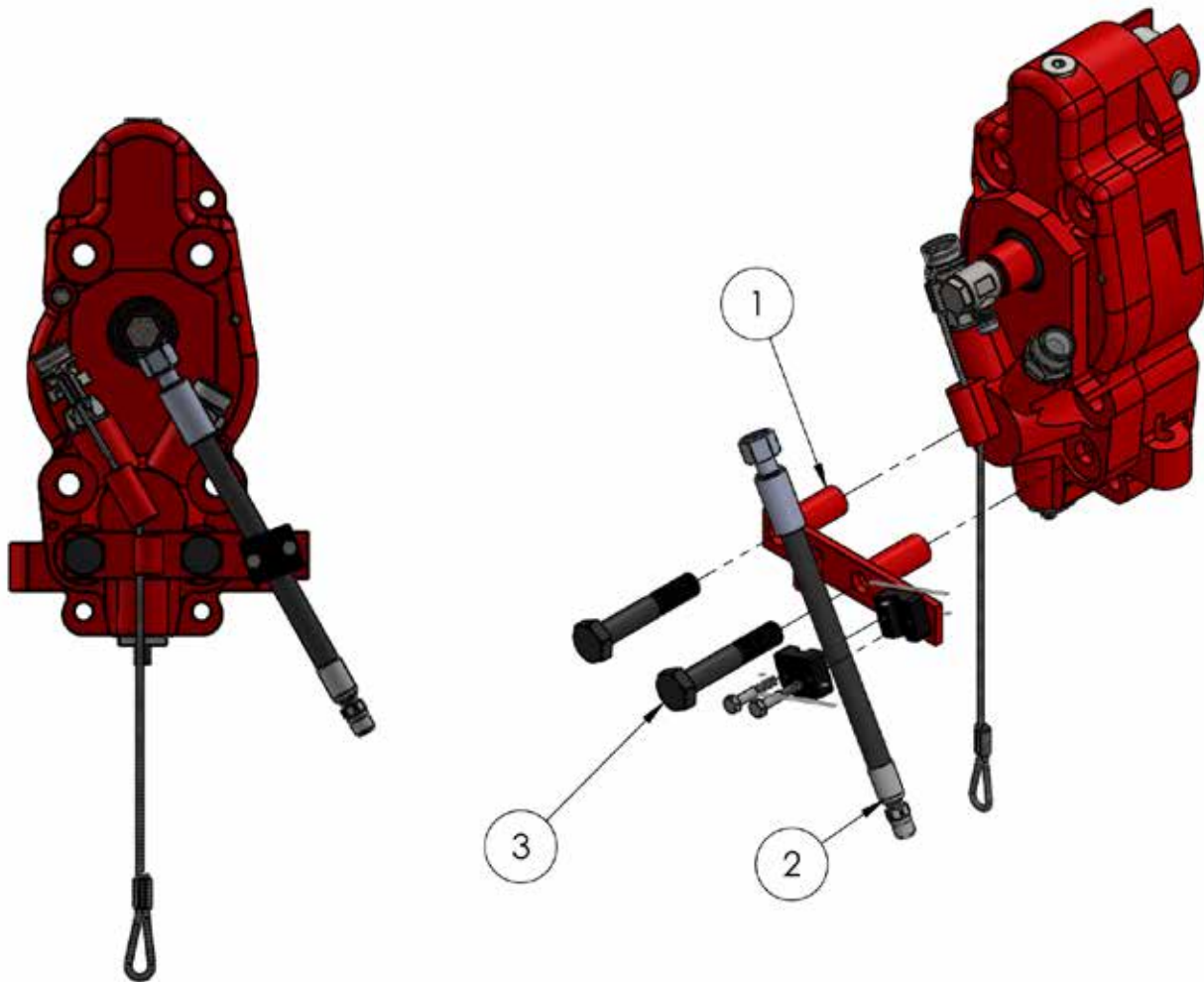
office (936)494-4200 • 1-800-409-0018 • fax (936)494-4517  
[www.Pileco.com](http://www.Pileco.com) • 491 Conroe Park W. Dr. • Conroe, TX 77303

**Fuel Pump Control  
Complete**


ITEM NO.	PART NUMBER	DESCRIPTION	QTY.
1	205509	METRIC BITE TYPE FITTING M16 X 1.5	1
2	126538-C	CYLINDER	1
3	126539	PISTON	1
4	193444	O-RING 32.93 X 3.53	1
5	126537-C	COVER	1
6	193446	BACK UP RING	1
7	193451	PRESSURE SPRING	1
8	193450	PRESSURE SPRING	1
9	193445	O-RING 20.22 X 3.53	1
10	193447	BACK UP RING	1
11	193448	ROD WIPER	1
12	193449	ROD WIPER	1
13	94989	8-1.25 X 35 HEX HEAD CAPSCREW	4

**PILECO, Inc.**

 office (936)494-4200 • 1-800-409-0018 • fax (936)494-4517  
 www.Pileco.com • 491 Conroe Park W. Dr. • Conroe, TX 77303

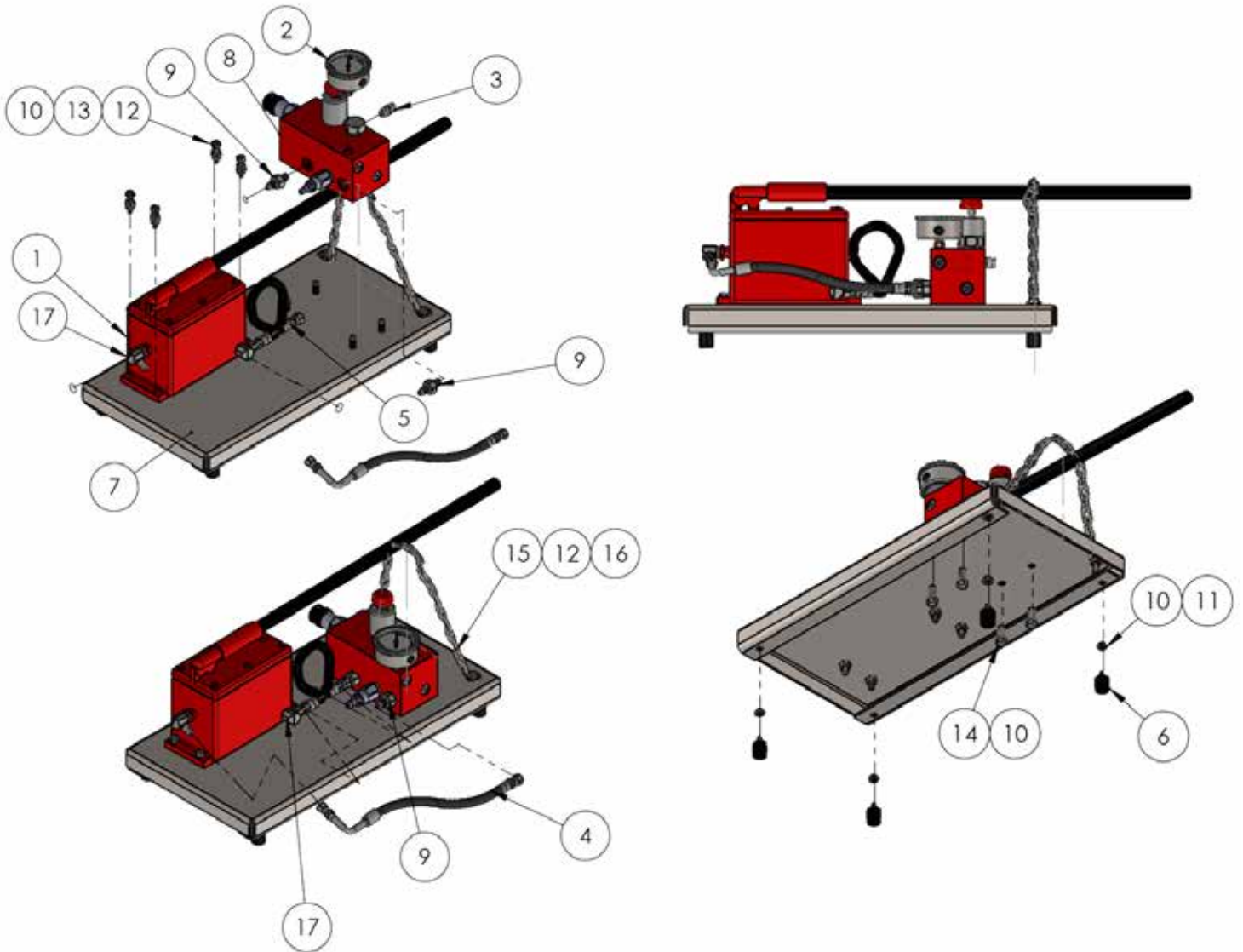
**Pigtail Installment**


ITEM NO.	PART NUMBER	DESCRIPTION	QTY.
1	205505	HYDRAULIC FUEL PUMP HOSE CLAMP	1
2	8001063	HYDRAULIC FUEL PUMP PIGTAIL HOSE	1
3	205504	16MM-2.0 X 90MM HEX HEAD CAP SCREW 8.8	2

**PILECO, Inc.**

office (936)494-4200 • 1-800-409-0018 • fax (936)494-4517  
 www.Pileco.com • 491 Conroe Park W. Dr. • Conroe, TX 77303

# Hydraulic Hand Pump Assembly



**Continued....**

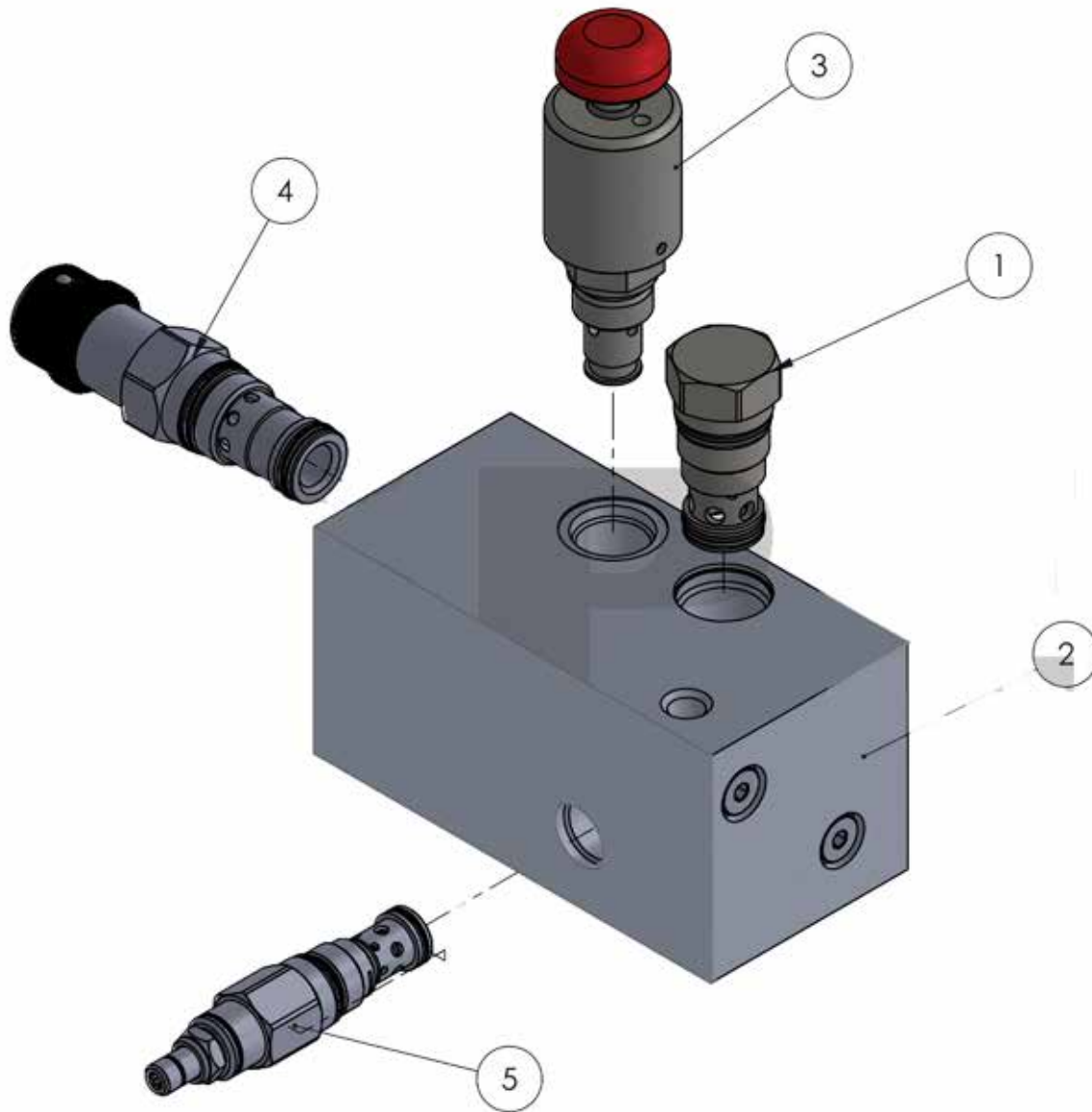
## Hydraulic Hand Pump Assembly

### Hydraulic Hand Pump Continued....

ITEM NO.	PART NUMBER	DESCRIPTION	QTY.
1	55107	P-51 ENERPAC PUMP	1
2	55120	G25-SL600-CB SS PRESSURE GAUGE	1
3	55121	4SAE MALE TO 1/4 NPT MALE ADAPTER	1
4	55104	1/4 JIC FEMALE SWIVEL FITTING TO 1/4 JIC FEMALE SWIVEL 1/4 PRESSURE HOSE	1
5	55109	1/4 JIC FEMALE SWIVEL FITTING TO 1/4 JIC FEMALE SWIVEL HOSE TO TANK	1
6	55122	RUBBER FOOT 1" X 1" - 5/16-18 X 3/4 BOLT	4
7	55105	PLATE	1
8	55103	MANIFOLD COMPLETE	1
9	55123	4 SAE MALE TO 1/4 JIC MALE STRAIGHT ADAPTER	2
10	8001049	5/16 SPLIT LOCK WASHER	17
11	55125	M6-1.0 JAM NUT	4
12	8001050	5/16-18 X 1 1/4 HEX HEAD CAP SCREW	6
13	1137184	10MM-1.5 NYLON INSERT LOCKNUT	6
14	8005969	5/16-18 X 1 HEX HEAD CAP SCREW GR 5	4
15	55108	CHAIN LINK #2/0 X 16"	1
16	8005970	5/16 FLAT WASHER	2
17	8005975	1/4 MALE JIC TO 1/4" FEMALE NPT FITTING	2

**PILECO, Inc.**

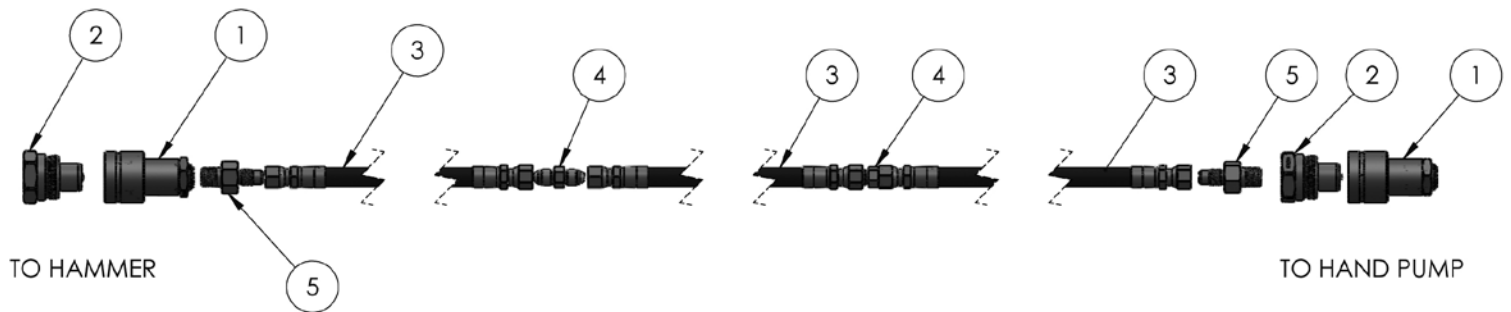
office (936)494-4200 • 1-800-409-0018 • fax (936)494-4517  
[www.Pileco.com](http://www.Pileco.com) • 491 Conroe Park W. Dr. • Conroe, TX 77303

**Manifold  
Complete**


ITEM NO.	PART NUMBER	DESCRIPTION	QTY.
1	55110	CXFA-XCN DIRECTION CHECK	1
2	55106	MANIFOLD	1
3	55111	DOERING DUMP VALVE	1
4	55112	NEEDLE VALVE	1
5	55113	RELIEF VALVE	1

**PILECO, Inc.**

office (936)494-4200 • 1-800-409-0018 • fax (936)494-4517  
 www.Pileco.com • 491 Conroe Park W. Dr. • Conroe, TX 77303

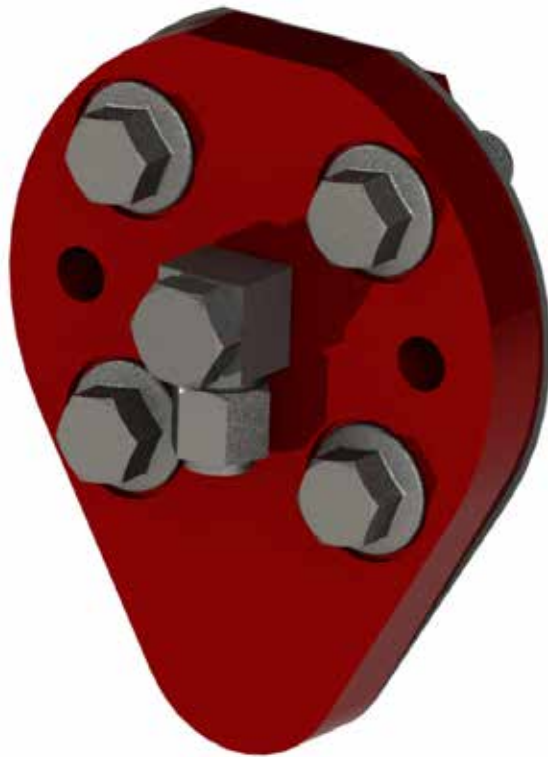
**HAND PUMP 1/4" HOSE ASSEMBLY  
150FT IN 50FT SECTIONS**


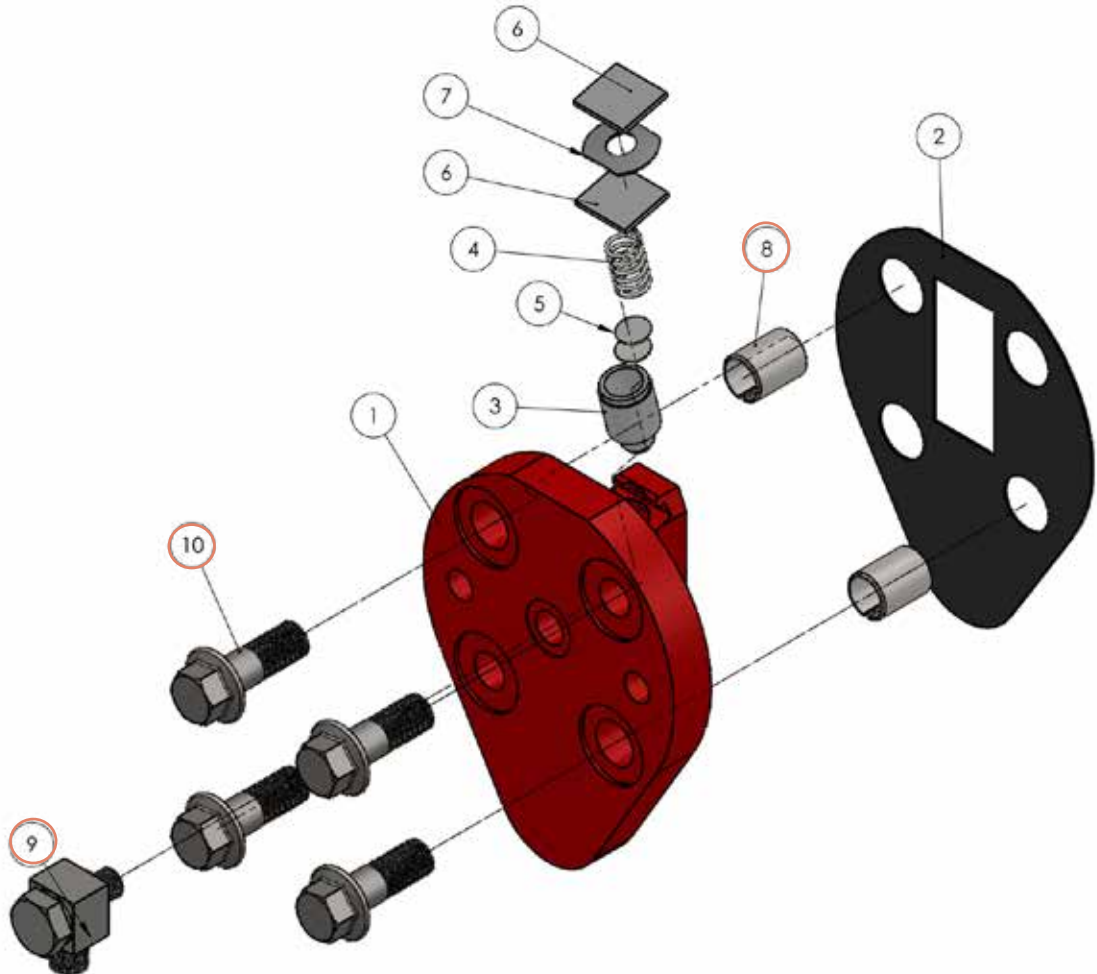
ITEM NO.	PART NUMBER	DESCRIPTION	QTY.
1	55133	1/4" COUPLER NPFT SCREW TYPE QUICK DISCONNECT FEMALE	2
2	55134	1/4" 3000 SERIES NIPPLE NPFT SCREW TYPE QUICK DISCONNECT MALE	2
3	8000440	4 FEMALE JIC TO 4 FEMALE JIC 1/4 HOSE 50FT	3
4	55137	4 JIC MALE TO 4 JIC MALE STRAIGHT ADAPTER	2
5	8001067	1/4 NPT MALE TO 1/4 JIC MALE STRAIGHT ADAPTER	2

**PILECO, Inc.**

office (936)494-4200 • 1-800-409-0018 • fax (936)494-4517  
www.Pileco.com • 491 Conroe Park W. Dr. • Conroe, TX 77303

# ***Fuel Injection***

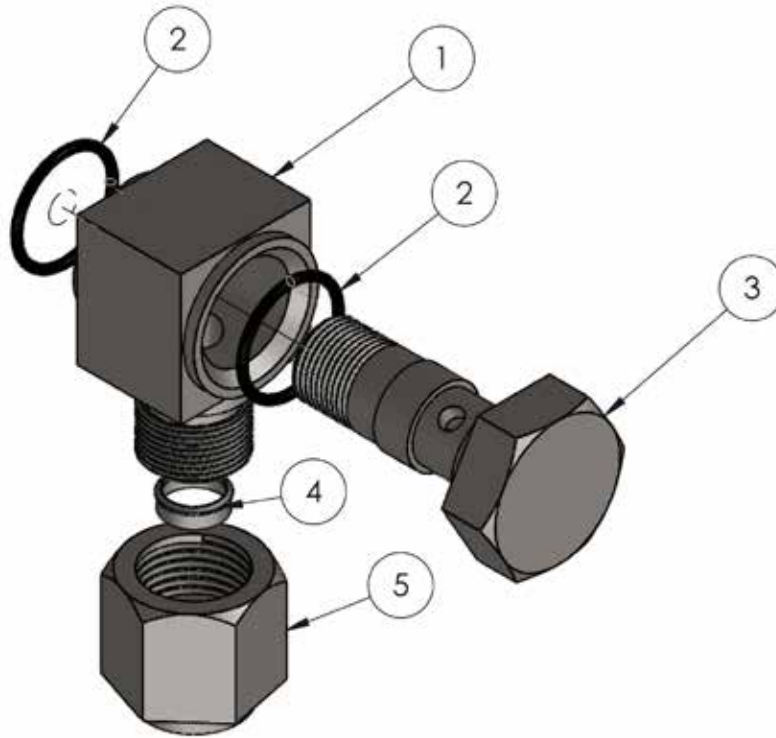


**Fuel Injection Valve  
Complete**


ITEM NO.	PART NUMBER	DESCRIPTION	QTY.
1	102133	INJECTION PLATE	1
2	45647	GASKET	1
3	63843	VALVE PISTON	1
4	97569	PRESSURE SPRING	1
5	97573	ADJUSTING WASHER	2
6	64460	LOCKING PLATE	2
7	64461	SPRING WASHER	1
8 <b> sold separately</b>	95633	DOWEL PIN 21 X 28 DIN 7346	2
9 <b> sold separately</b>	97038	THREADED PIPE JOINT (UNION)	1
10 <b> sold separately</b>	95639	LOCKING SCREW M16 X 45	4

**PILECO, Inc.**

office (936)494-4200 • 1-800-409-0018 • fax (936)494-4517  
 www.Pileco.com • 491 Conroe Park W. Dr. • Conroe, TX 77303

**Threaded Pipe Joint  
Complete**


**NOTE:** ITEM SHOULD BE REPLACED WITH NEW PIPE JOINT COMPLETE WHEN REMOVED FOR SERVICING

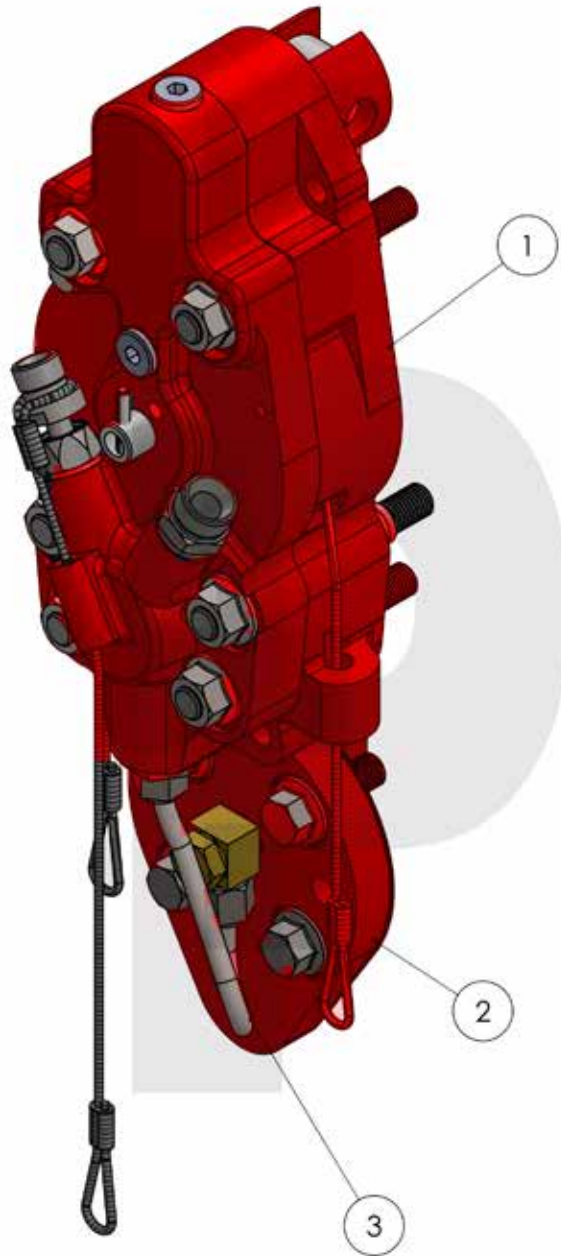
**#1 SOLD COMPLETE**

ITEM NO.	PART NUMBER	DESCRIPTION	QTY.
<b>1</b>	<b>97038</b>	THREADED PIPE JOINT	<b>1</b>
2	97258	O RING 17 X 1.5	2
3	210405	HOLLOW SCREW	1
<b>4</b>	<b>90127</b>	OLIVE	<b>1</b>
<b>5</b>	<b>204012</b>	UNION NUT M16X1.5	<b>1</b>

**SOLD  
TOGETHER**

**PILECO, Inc.**

office (936)494-4200 • 1-800-409-0018 • fax (936)494-4517  
www.Pileco.com • 491 Conroe Park W. Dr. • Conroe, TX 77303

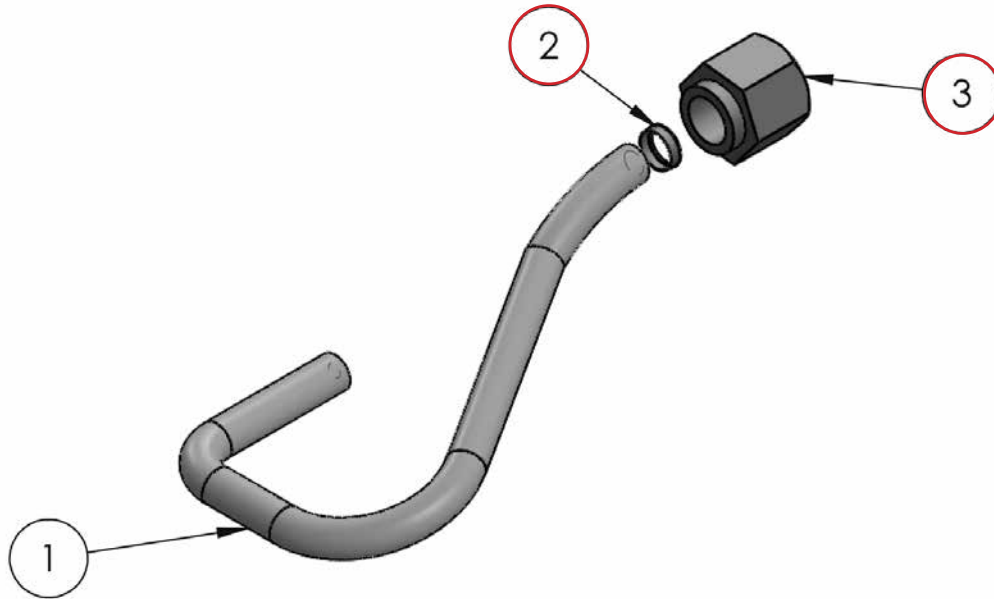
**Fuel Injection Device  
Complete**


ITEM NO.	PART NUMBER	DESCRIPTION	QTY.
1	122469	VARIABLE-DELIVERY FUEL PUMP D12	1
2	104675	INJECTION VAVLE COMPLETE	1
3	104974	FUEL TUBE	1

**PILECO, Inc.**

office (936)494-4200 • 1-800-409-0018 • fax (936)494-4517  
[www.Pileco.com](http://www.Pileco.com) • 491 Conroe Park W. Dr. • Conroe, TX 77303

## Fuel Tube Assembly



**NOTE:** FUEL TUBE , NUT, AND OLIVE SHALL BE REPLACED IF REMOVED DURING SERVICE

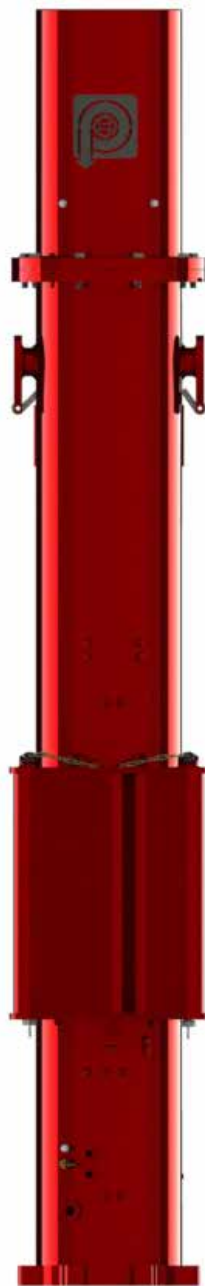
**DO NOT OVER TIGHTEN COMPRESSION NUTS  
DAMAGE TO TUBE MAY OCCUR!**

ITEM NO.	PART NUMBER	DESCRIPTION	QTY.
1	104974	FUEL TUBE	1
2 <b>sold separately</b>	90127	OLIVE	1
3 <b>sold separately</b>	90128	UNION NUT M18X1.5	1

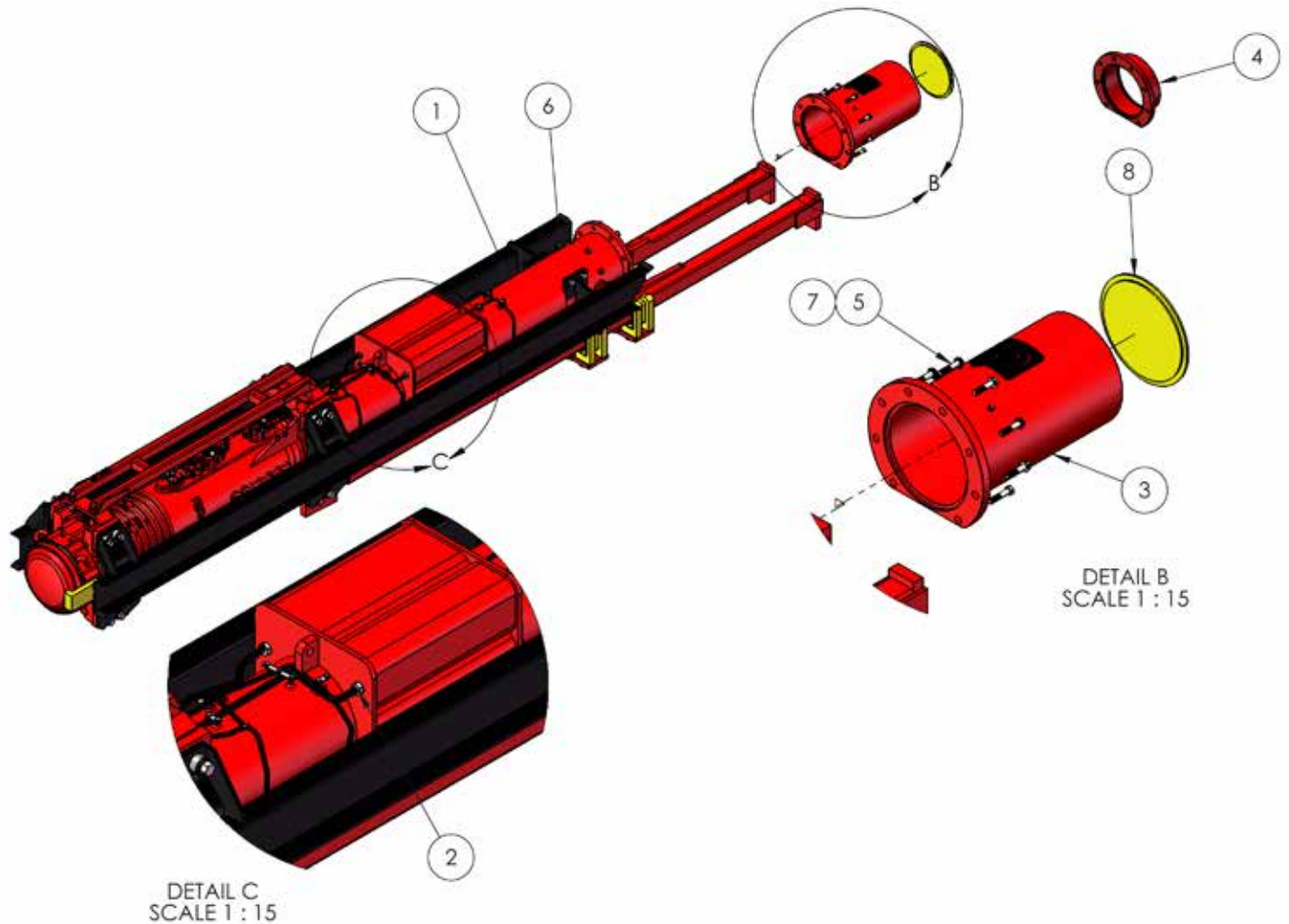
**PILECO, Inc.**

office (936)494-4200 • 1-800-409-0018 • fax (936)494-4517  
www.Pileco.com • 491 Conroe Park W. Dr. • Conroe, TX 77303

# ***Upper Cylinder***



## Upper Cylinder Complete

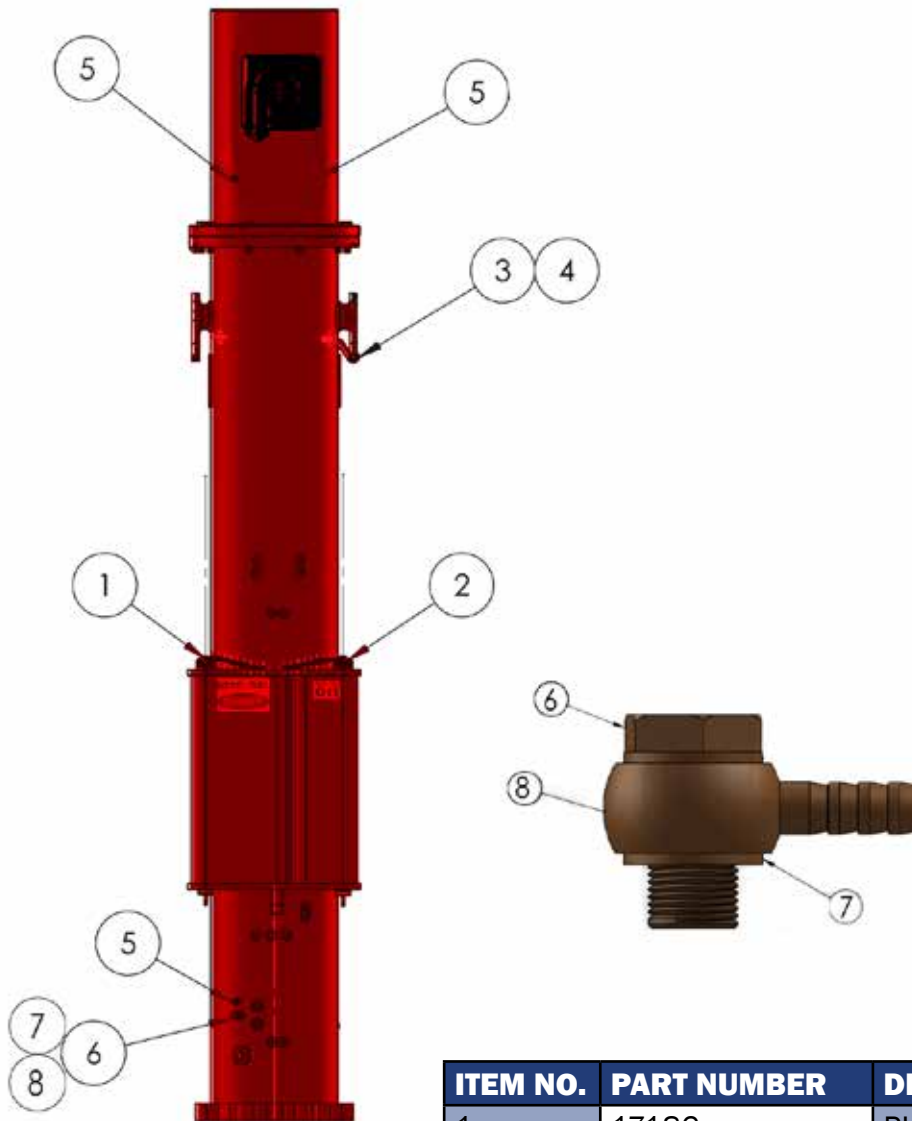


ITEM NO.	PART NUMBER	DESCRIPTION	QTY.
1	202003	UPPER CYLINDER	1
2	64403	FILTER ELBOW	2
3	202004	UPPER ENDRING (LONG VERSION)	1
4	202008	UPPER ENDRING (SHORT VERSION)	1
5	202005	16MM-2.0 X 75 HEX HEAD CAPSCREW	8
6	202006	16MM-2.0 HEAVY HEX NUT	8
7	202007	WASHER	8
8	119050	RAIN COVER	1

**PILECO, Inc.**

office (936)494-4200 • 1-800-409-0018 • fax (936)494-4517  
 www.Pileco.com • 491 Conroe Park W. Dr. • Conroe, TX 77303

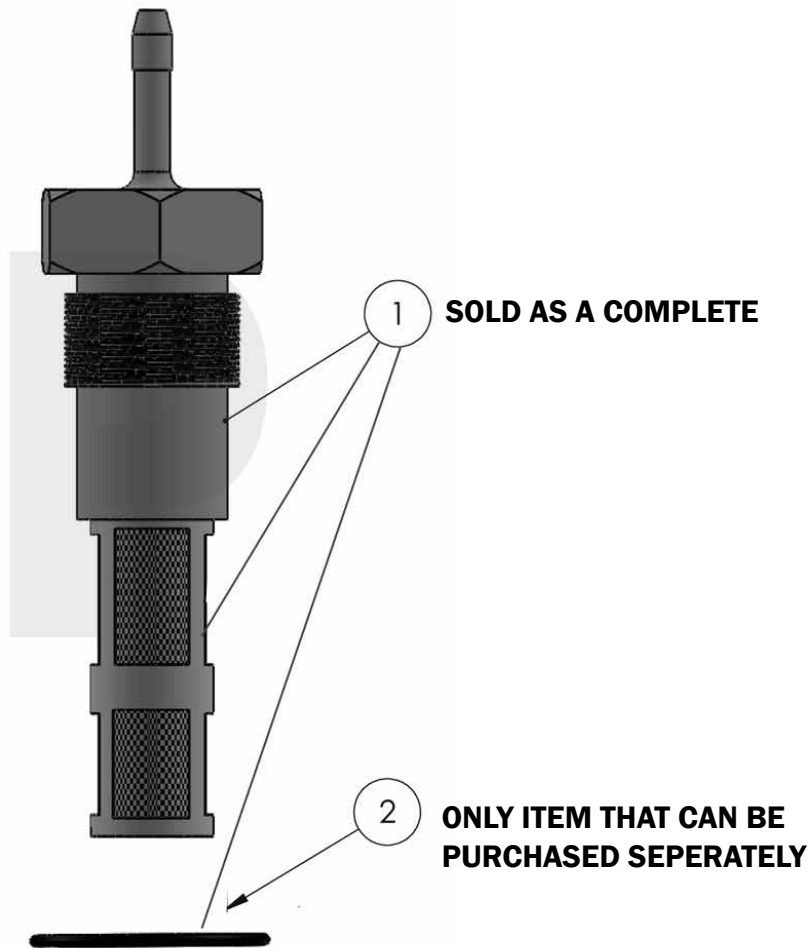
## Upper Cylinder Complete



ITEM NO.	PART NUMBER	DESCRIPTION	QTY.
1	17186	PLUG SCREW (DIESEL) COMPLETE	1
2	17188	PLUG SCREW(OIL)COMPLETE	1
3	17039	RATCHET	2
4	90044	12MM X 60 DOWEL PIN	2
5	90791	GREASE NIPPLE M10 X 1	3
6	97948	HOLLOW SCREW A6 DIN 7623-6.8	3
7	91417	SEALING RING A12 X 15.5 DIN 7603CU	6
8	97949	RING NIPPLE	3

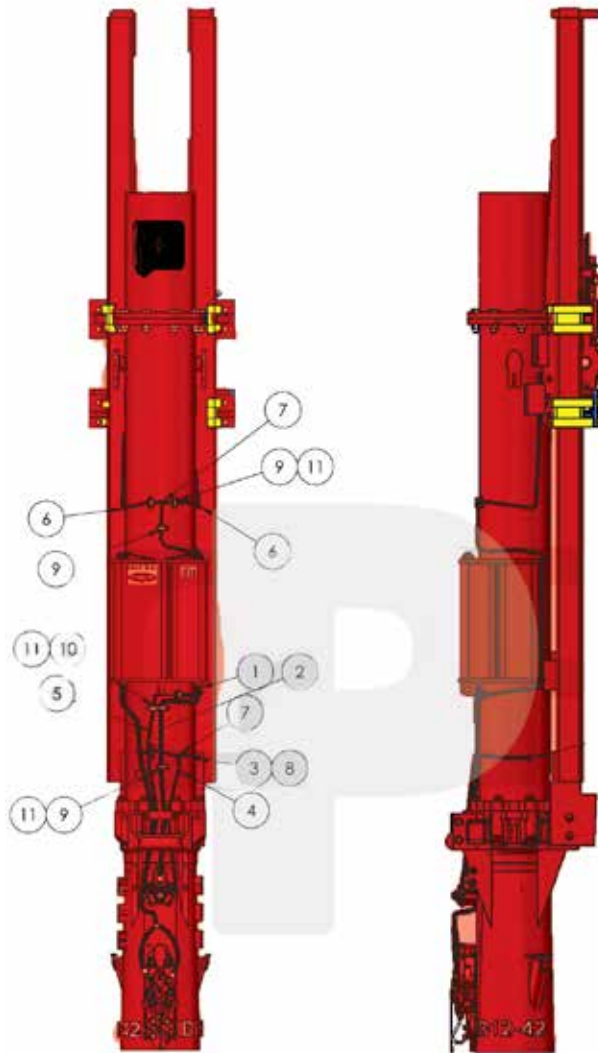
**PILECO, Inc.**

office (936)494-4200 • 1-800-409-0018 • fax (936)494-4517  
 www.Pileco.com • 491 Conroe Park W. Dr. • Conroe, TX 77303

**Filter Elbow  
Complete**


ITEM NO.	PART NUMBER	DESCRIPTION	QTY.
1	64403	FILTER ELBOW COMPLETE	1
2	210607	O-RING 36 X 1.5	1

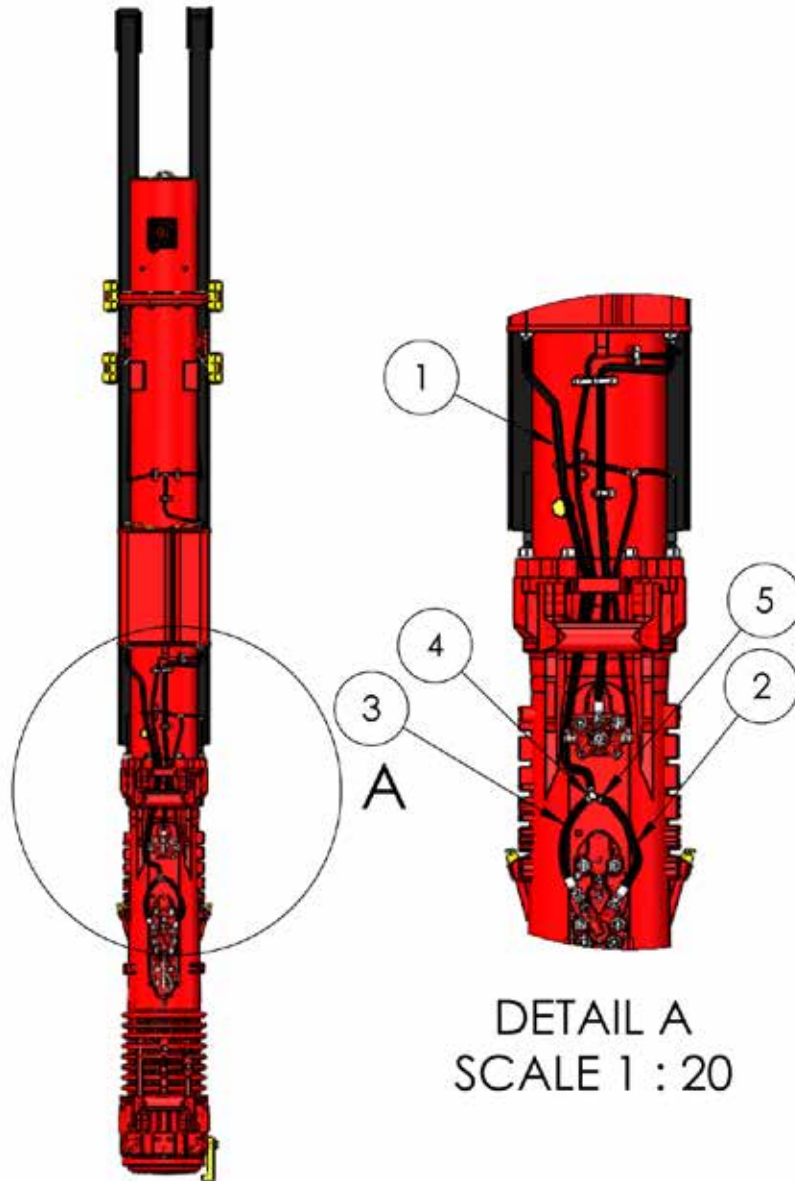
**PILECO, Inc.**

**Lube Lines w/Connectors**


ITEM NO.	PART NUMBER	DESCRIPTION	QTY.
1	94299	HOSE CLAMP 5/8-1	2
2	98361	HOSE 1.65 LONG	1
3	102130	HOSE 0.27M LONG	1
4	202011	HOSE 1.1M LONG	1
5	102129	HOSE 3.2M LONG	1
6	202012	HOSE 0.76 LONG	1
7	94522	T-PIECE	2
8	95115	HOSE CLAMP 1/4-5/8	12
9	2932	CLIP	13
10	41981	CLIP	1
11	93412	8-1.25 X 12 HEX HEAD CAPSCREW	28

**PILECO, Inc.**

office (936)494-4200 • 1-800-409-0018 • fax (936)494-4517  
 www.Pileco.com • 491 Conroe Park W. Dr. • Conroe, TX 77303

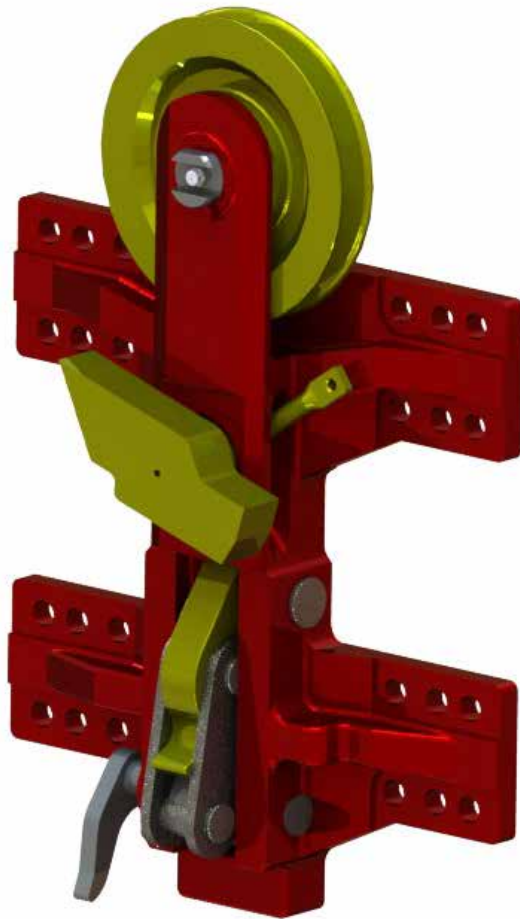
**Fuel Line-Breather Line**


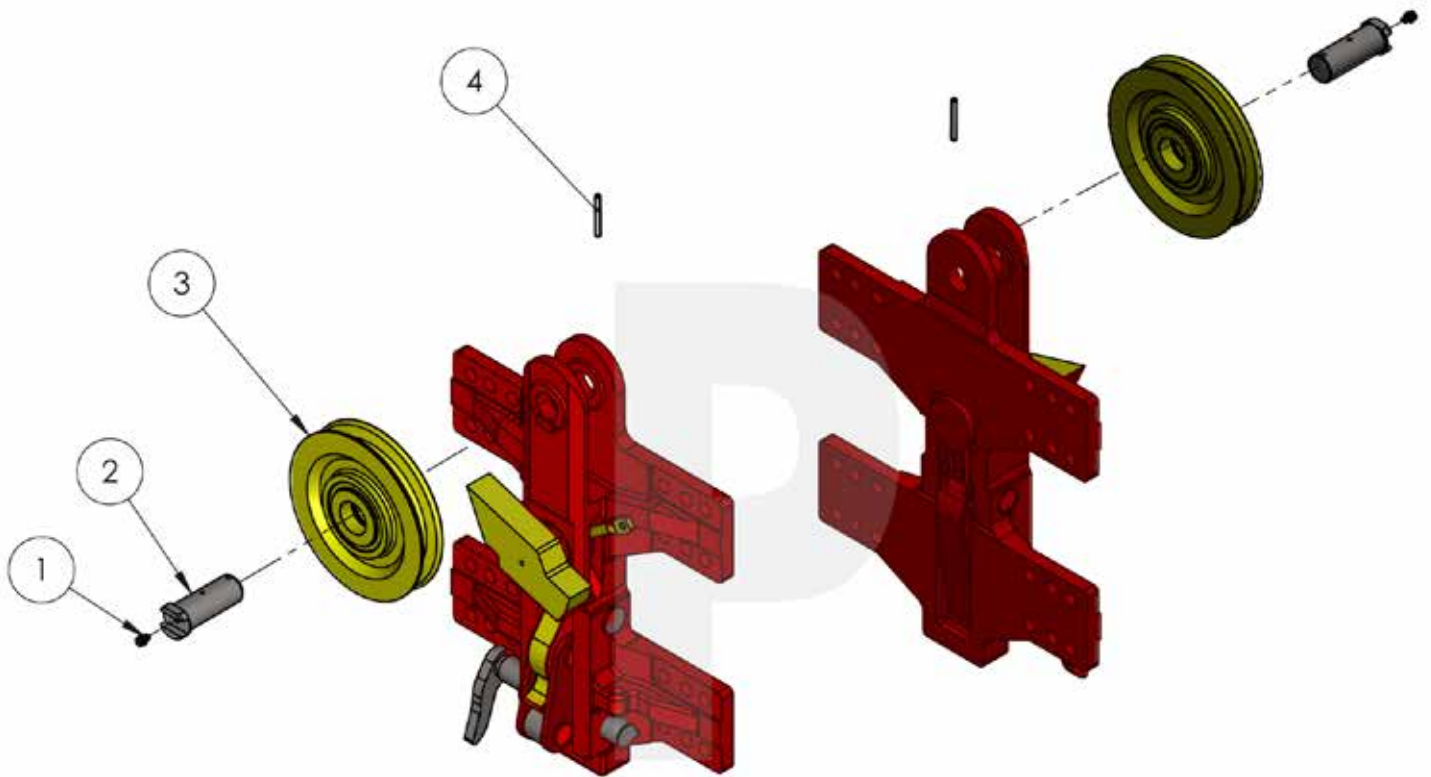
ITEM NO.	PART NUMBER	DESCRIPTION	QTY.
1	202010	HOSE FOR D12 FUEL FEEDING LINE, 1/2", 1.6M/62.9" LONG	1
2	207025	HOSE 0.36m long	1
3	96504	HOSE 0.28m long	1
4	99019	Y-PIECE	1
5	94299	HOSE CLAMP 5/8-1	4

**PILECO, Inc.**

office (936)494-4200 • 1-800-409-0018 • fax (936)494-4517  
www.Pileco.com • 491 Conroe Park W. Dr. • Conroe, TX 77303

# ***Starting Device (Trip) 9T***

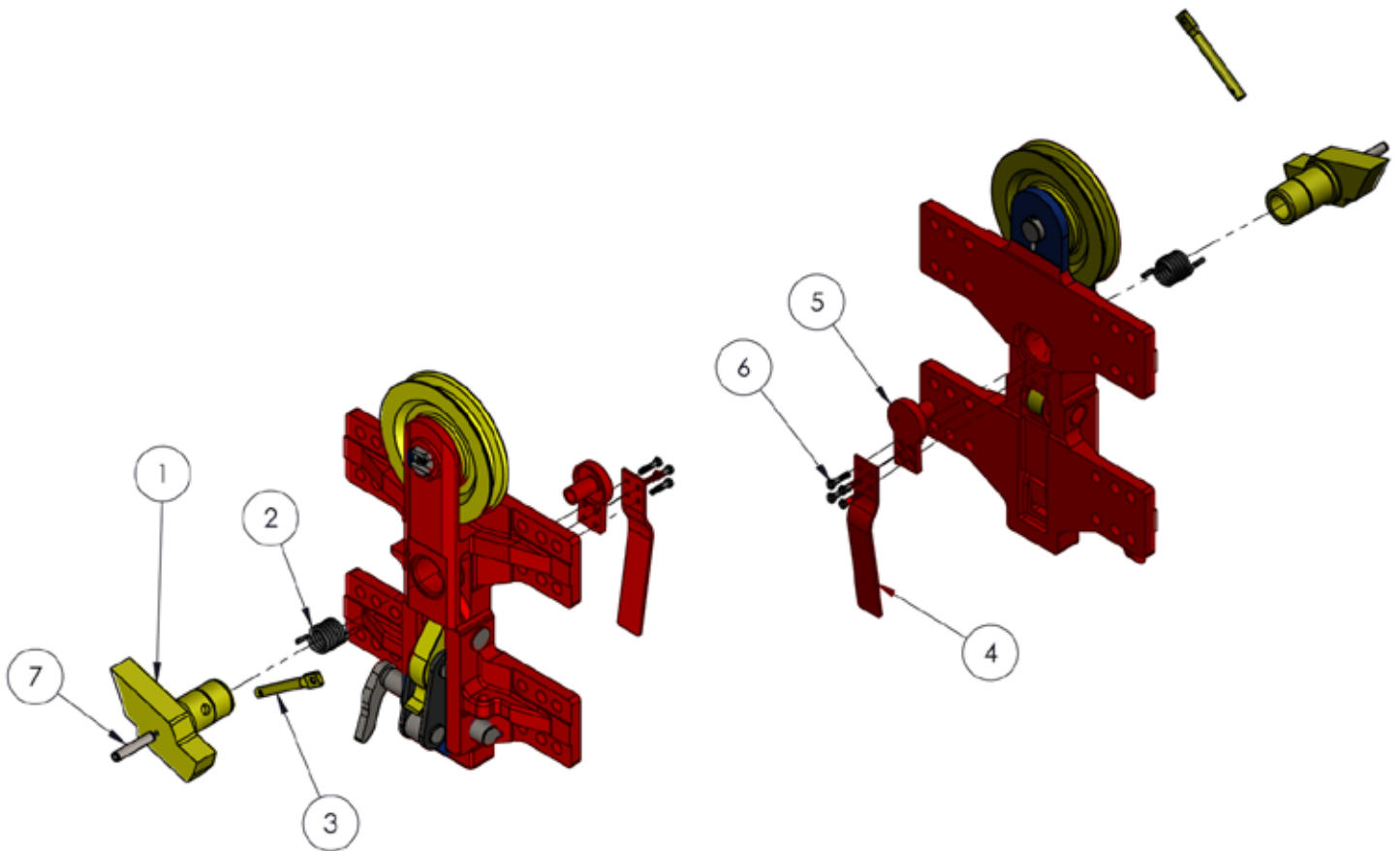


**Manual Starting Device (Trip)  
Complete**


ITEM NO.	PART NUMBER	DESCRIPTION	QTY.
1	90791	GREASE NIPPLE M10 X 1	1
2	104954	SHEAVE PIN	1
3	190285	ROPE PULLEY	1
4	90637	8 X 80 SPLIT PIN DIN 94-ST	1

**PILECO, Inc.**

office (936)494-4200 • 1-800-409-0018 • fax (936)494-4517  
www.Pileco.com • 491 Conroe Park W. Dr. • Conroe, TX 77303

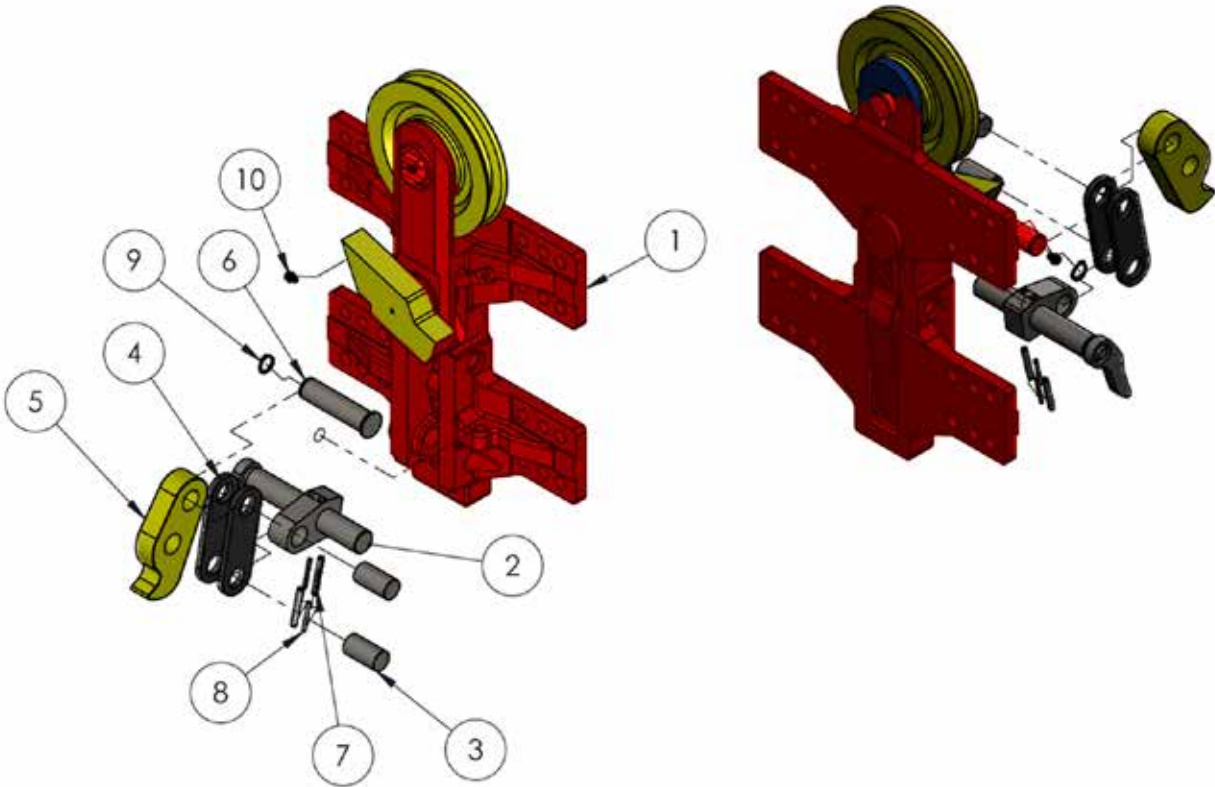
**Manual Starting Device (Trip)  
Complete**


ITEM NO.	PART NUMBER	DESCRIPTION	QTY.
1	108300	DRIVING PIN	1
2	39381	TORSION SPRING	1
3	64189	LEVER	1
4	39382	LEAF SPRING	1
5	104698	COVER	1
6	93414	10-1.5 X 30 HEX HEAD CAPSCREW 8.8	4
7	90380	8MM X 50 ROLL PIN	1

**PILECO, Inc.**

office (936)494-4200 • 1-800-409-0018 • fax (936)494-4517  
[www.Pileco.com](http://www.Pileco.com) • 491 Conroe Park W. Dr. • Conroe, TX 77303

## Manual Starting Device (Trip) Complete



ITEM NO.	PART NUMBER	DESCRIPTION	QTY.
1	104697	TRIP BODY	1
2	104695	TRIP CAM WITH LEVER	1
3	1106	JOINT BOLT	2
4	1104	SHACKLE	2
5	64192	PAWL	1
6	64190	PIN	1
7	91321	10MM X 75 ROLL PIN	2
8	90160	6MM X 60 ROLL PIN	2
9	90221	CIRCLIP 30 X 1.2 DIN 471	1
10	90791	GREASE NIPPLE M10 X 1	1

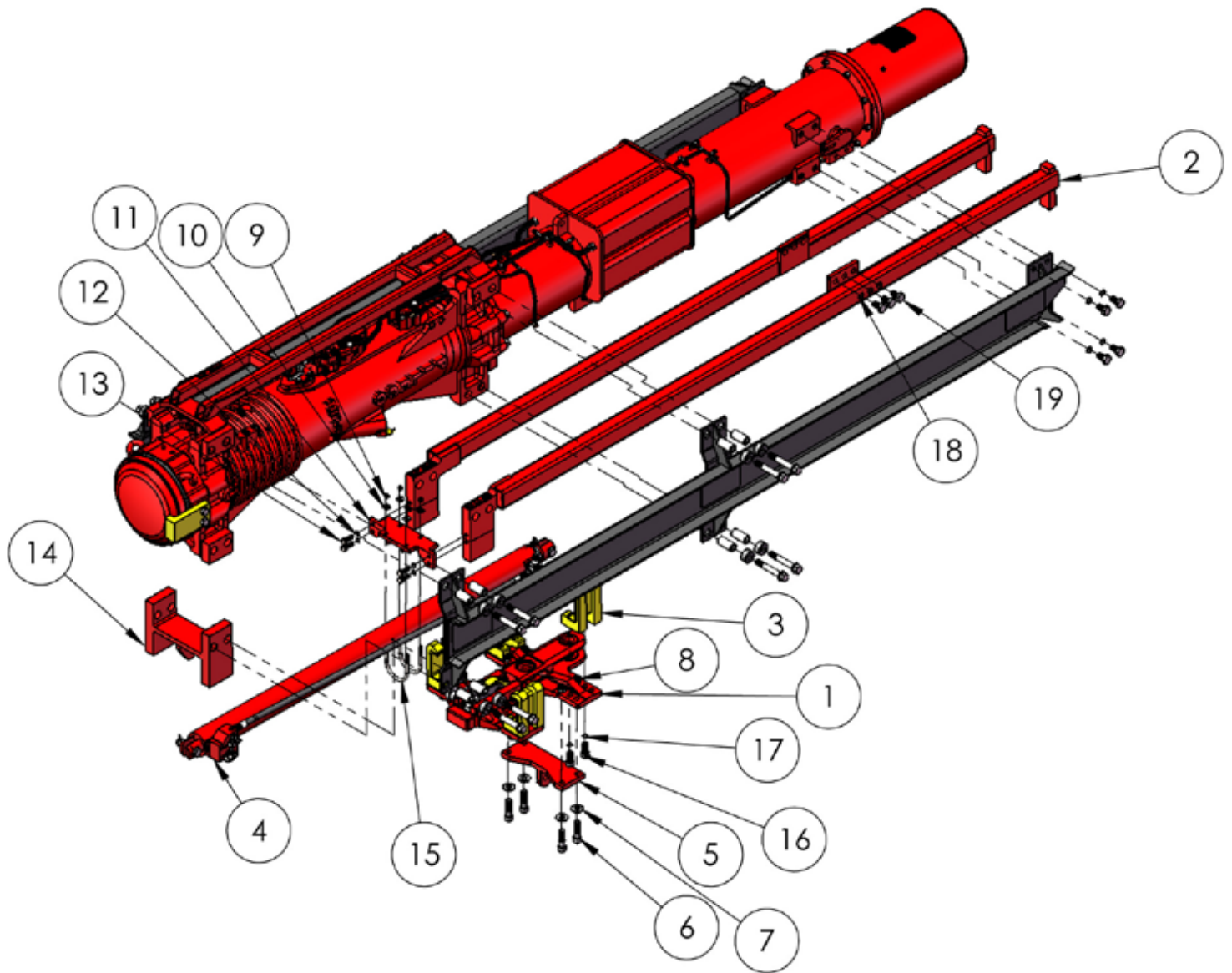
**PILECO, Inc.**

office (936)494-4200 • 1-800-409-0018 • fax (936)494-4517  
 www.Pileco.com • 491 Conroe Park W. Dr. • Conroe, TX 77303

# ***Hydraulic Push Start***



**Hydraulic Push Start  
Complete**



continued....

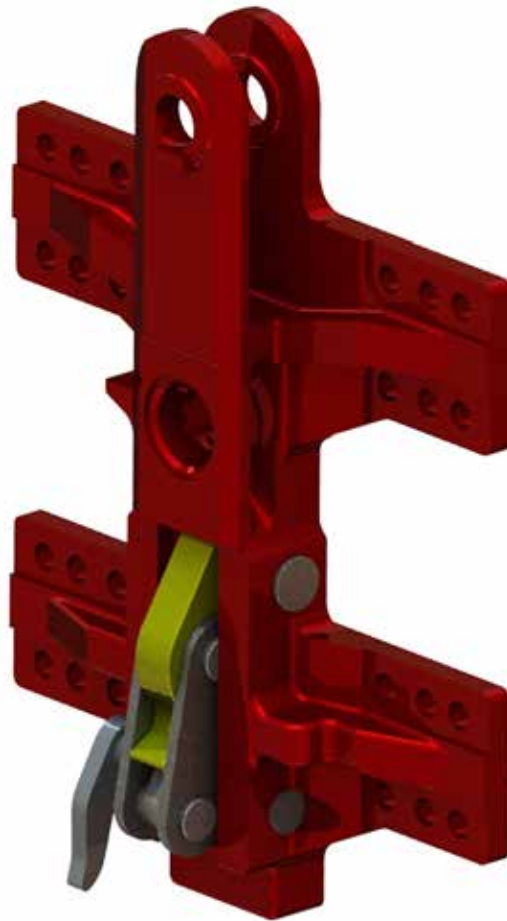
## Hydraulic Push Start Complete

ITEM NO.	PART NUMBER	DESCRIPTION	QTY.
1	8000953	HYDRAULIC START TRIP ASSEMBLY	1
2	202101	D12 HYDRAULIC TRIP STARTER GUIDES	1
3	203132	GUIDE GIB	4
4	203170	HYDRAULIC TRIP CYLINDER	1
5	202103	UPPER BRACKET	1
6	203102	24-3.0MM X 90 SOCKET HEAD CAP SCREW	4
7	203104	24MM FLATWASHER	4
8	203103	24-3.00 NYLON INSERT LOCKNUT	4
9	202108	12-1.75 NYLON INSERT LOCK NUT	4
10	202109	12MM FLAT WASHER	4
11	202104	HYDRAULIC CYLINDER BRACKET	1
12	202107	16MM EXT LOCKWASHER	4
13	202106	16-2MM X 50 HEX HEAD CAP SCREW	4
14	202105	LOWER BRACKET	1
15	202110	U BOLT 12-1.75 X 134MM	2
16	203133	24-3.0 X 50 SOCKET HEAD CAPSCREW	8
17	203134	7/8 SCHNORR SAFETY WASHER	8
18	203131	24MM SCHNORR SAFETY WASHER	6
19	203130	24-3.0 X 45 HEX HEAD CAPSCREW	6

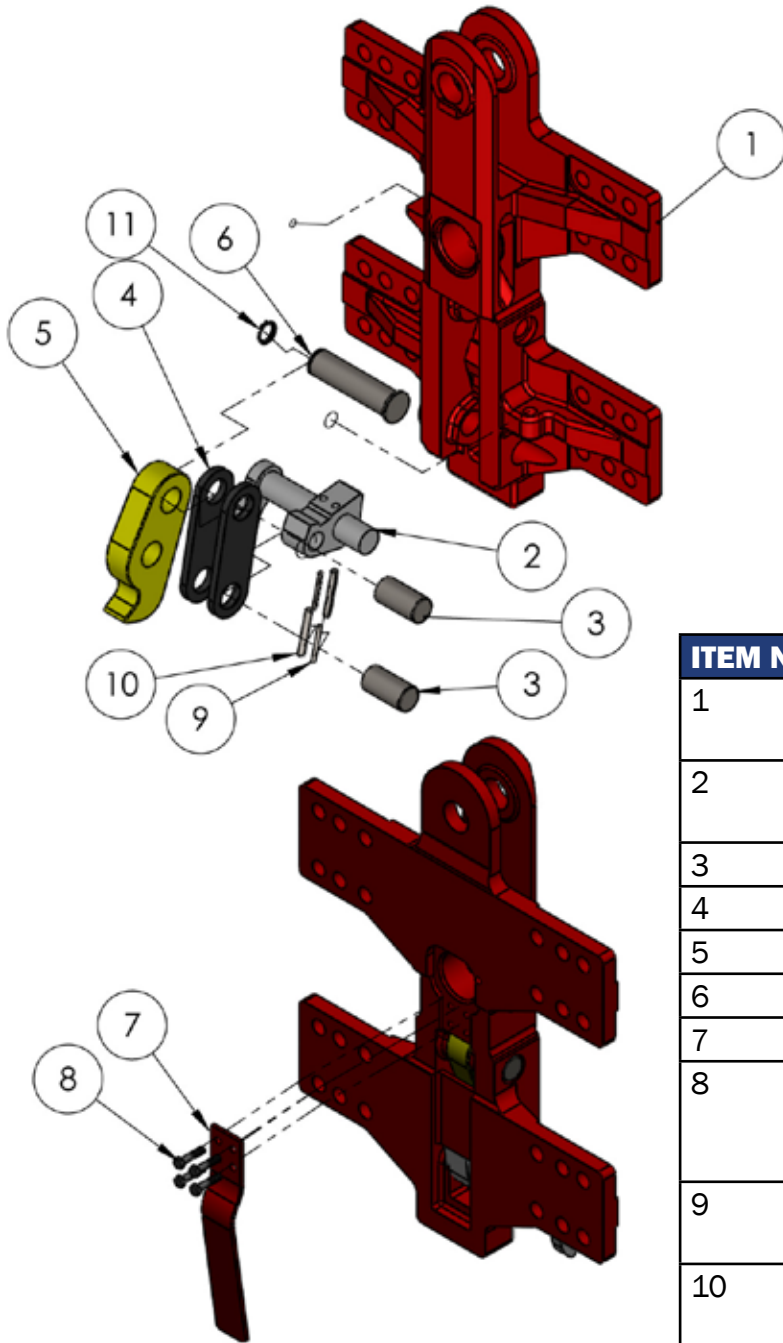
**PILECO, Inc.**

office (936)494-4200 • 1-800-409-0018 • fax (936)494-4517  
[www.Pileco.com](http://www.Pileco.com) • 491 Conroe Park W. Dr. • Conroe, TX 77303

# ***Hydraulic Starting Device (Trip)***



## Hydraulic Starting Device (Trip) Assembly

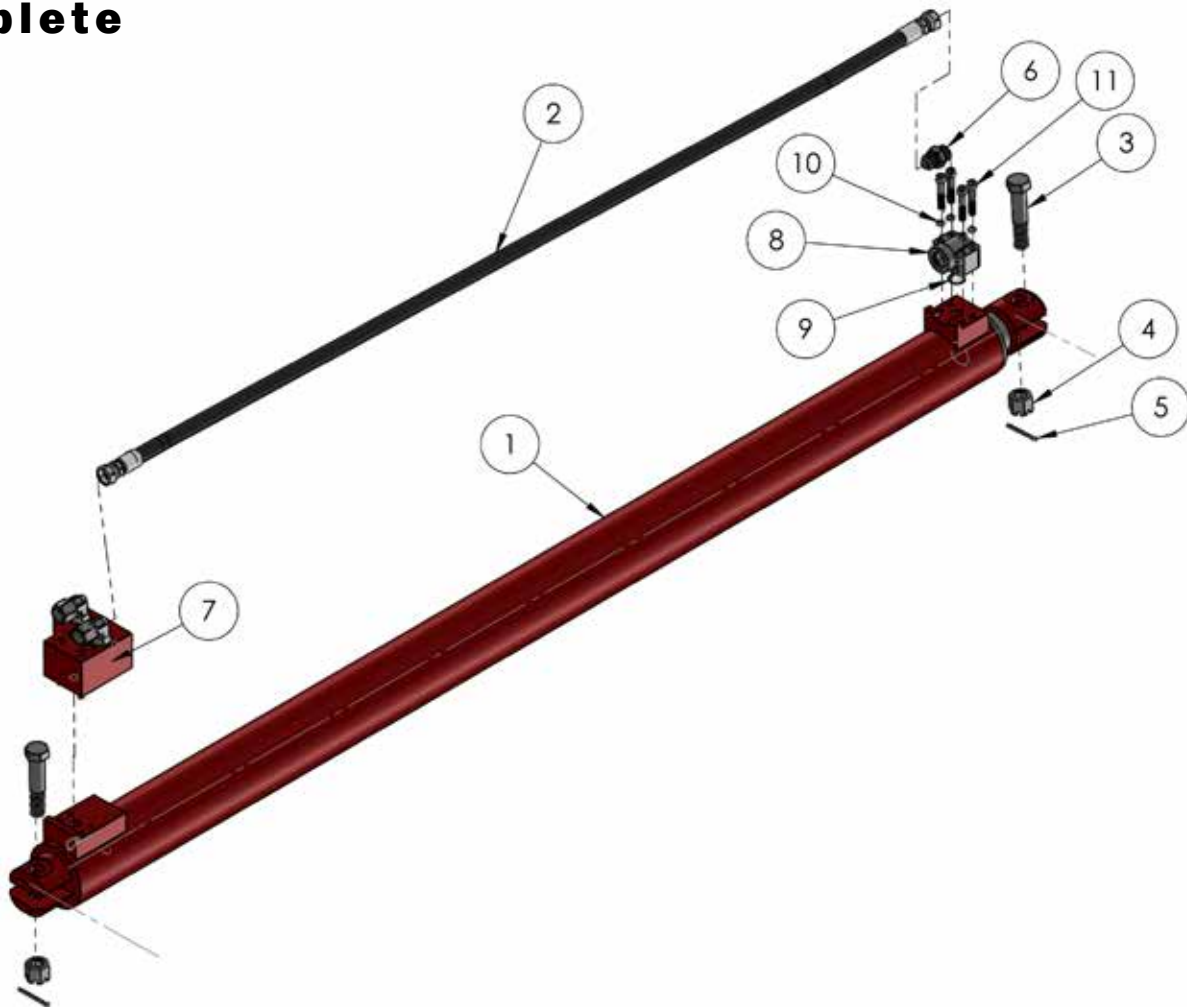


ITEM NO.	PART NUMBER	DESCRIPTION	QTY.
1	104697	GUIDE BODY COMPLETE	1
2	104695	CAM WITH LEVER COMPLETE	1
3	1106	JOINT BOLT	2
4	1104	SHACKLE	2
5	64192	PAWL	1
6	64190	PIN	1
7	39382	LEAF SPRING	1
8	93414	10-1.5 X 30 HEX HEAD CAPSCREW 8.8	4
9	90160	6MM X 60 ROLL PIN	2
10	91321	10MM X 75 ROLL PIN	2
11	90221	CIRCLIP 30 X 1.2 DIN 471	1

**PILECO, Inc.**

office (936)494-4200 • 1-800-409-0018 • fax (936)494-4517  
 www.Pileco.com • 491 Conroe Park W. Dr. • Conroe, TX 77303

## Hydraulic Cylinder Complete

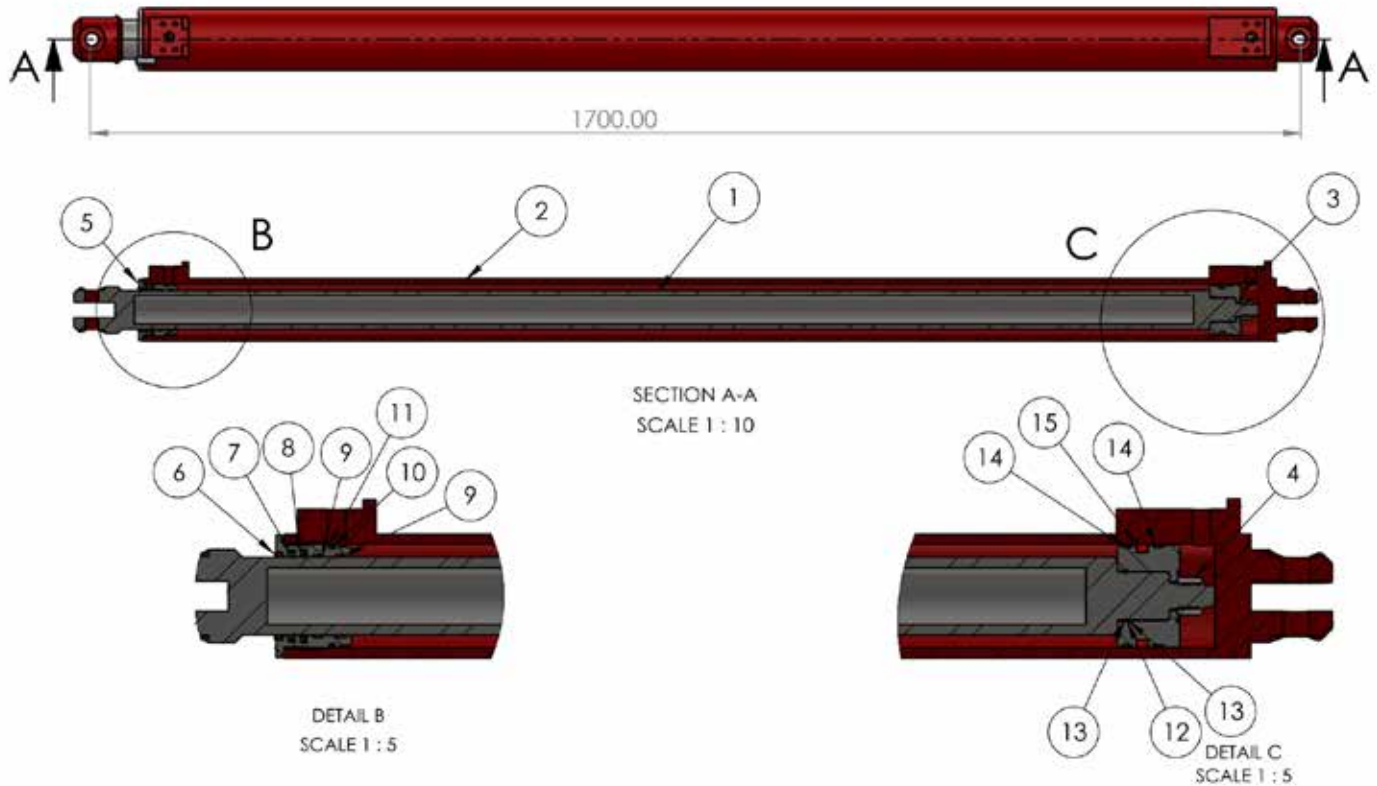


ITEM NO.	PART NUMBER	DESCRIPTION	QTY.
1	203171	HYDRAULIC START CYLINDER	1
2	203175	1950MM HOSE	1
3	205110	24MM-3.0 X 110 HEX HEAD CAP SCREW w/ PIN HOLE	2
4	205111	M24 SLOTTED HEX NUT	2
5	205112	5 X 40 COTTER PIN	2
6	203124	3/4-1 1/16 - 12 JIC Straight Thread Connectors 37° Flare /SAE-ORB 12 F50X	1
7	201108	LOWER HYDRAULIC BLOCK ASSEMBLY	1
8	203173	W184-12-12 ANCHOR FLANGE	1
9	203172	O-RING 2-214 24.99 X 3.53	1
10	207116	10MM HI COLLAR LOCK WASHER	4
11	203174	10MM X 55 SOCKET HEAD CAP SCREW	4

**PILECO, Inc.**

office (936)494-4200 • 1-800-409-0018 • fax (936)494-4517  
 www.Pileco.com • 491 Conroe Park W. Dr. • Conroe, TX 77303

# Hydraulic Cylinder Assembly

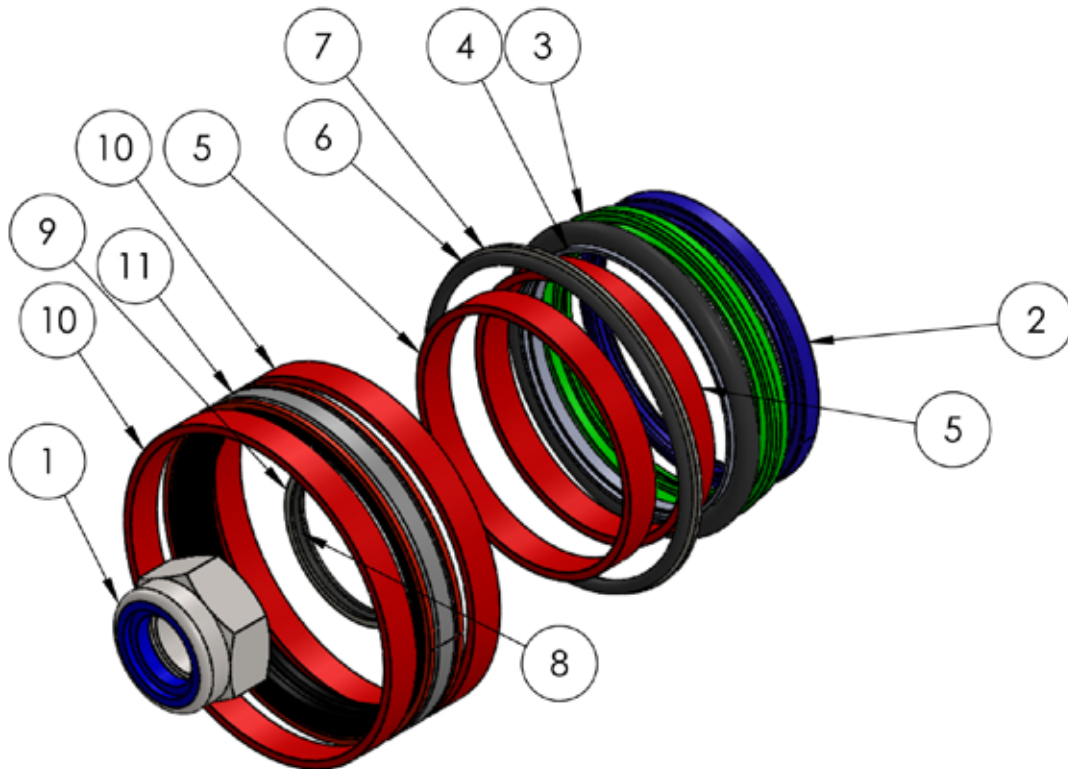


ITEM NO.	PART NUMBER	DESCRIPTION	QTY.
1	203178	CYLINDER ROD	1
2	203180	CYLINDER SLEEVE	1
3	203181	PISTON	1
4	201104	20MM X 2.5 NYLON INSERT LOCK NUT	1
5	203179	CLINDER HEAD	1
6	203146	WIPER SEAL	1
7	203162	ROD SEAL	1
8	203163	ROD SEAL	1
9	203164	WEAR RING	2
10	203165	2-239 91.67X3.53 O-RING	1
11	203166	95X100.5-1.5 BACKING RING	1
12	203167	2-132 44.12×2.62 O-RING	1
13	203168	45×49-1 BACKING RING	2
14	203169	100X95-9.7 GUIDING RING	2
15	203155	100X85X12.5 DOUBLE ACTING PISTON SEAL	1

**PILECO, Inc.**

office (936)494-4200 • 1-800-409-0018 • fax (936)494-4517  
 www.Pileco.com • 491 Conroe Park W. Dr. • Conroe, TX 77303

## D12 Hydraulic Start Cylinder Ring Kit

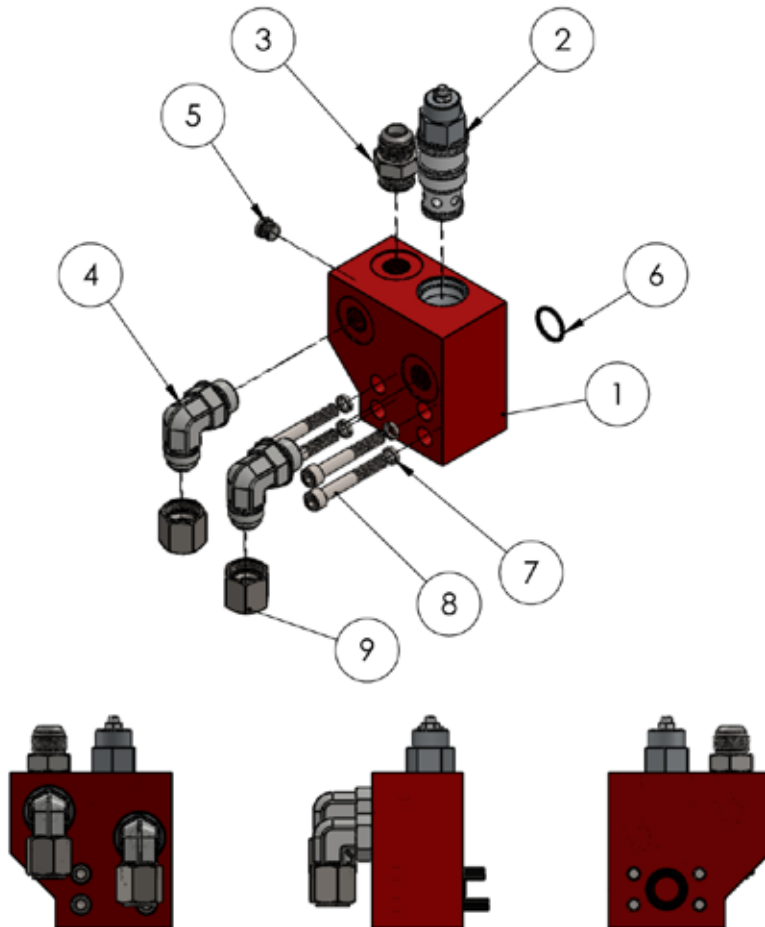


ITEM NO.	PART NUMBER	DESCRIPTION	QTY.
1	201104	20MM X 2.5 NYLON INSERT LOCK NUT	1
2	203146	WIPER SEAL	1
3	203162	ROD SEAL	1
4	203163	ROD SEAL	1
5	203164	WEAR RING	2
6	203165	2-239 91.67×3.53 O-RING	1
7	203166	95×100.5-1.5 BACKING RING	1
8	203167	2-132 44.12×2.62 O-RING	1
9	203168	45×49-1 BACKING RING	2
10	203169	100×95-9.7 GUIDING RING	2
11	203155	100×85×12.5 DOUBLE ACTING PISTON SEAL	1

**PILECO, Inc.**

office (936)494-4200 • 1-800-409-0018 • fax (936)494-4517  
[www.Pileco.com](http://www.Pileco.com) • 491 Conroe Park W. Dr. • Conroe, TX 77303

## Counterbalance Valve Assembly

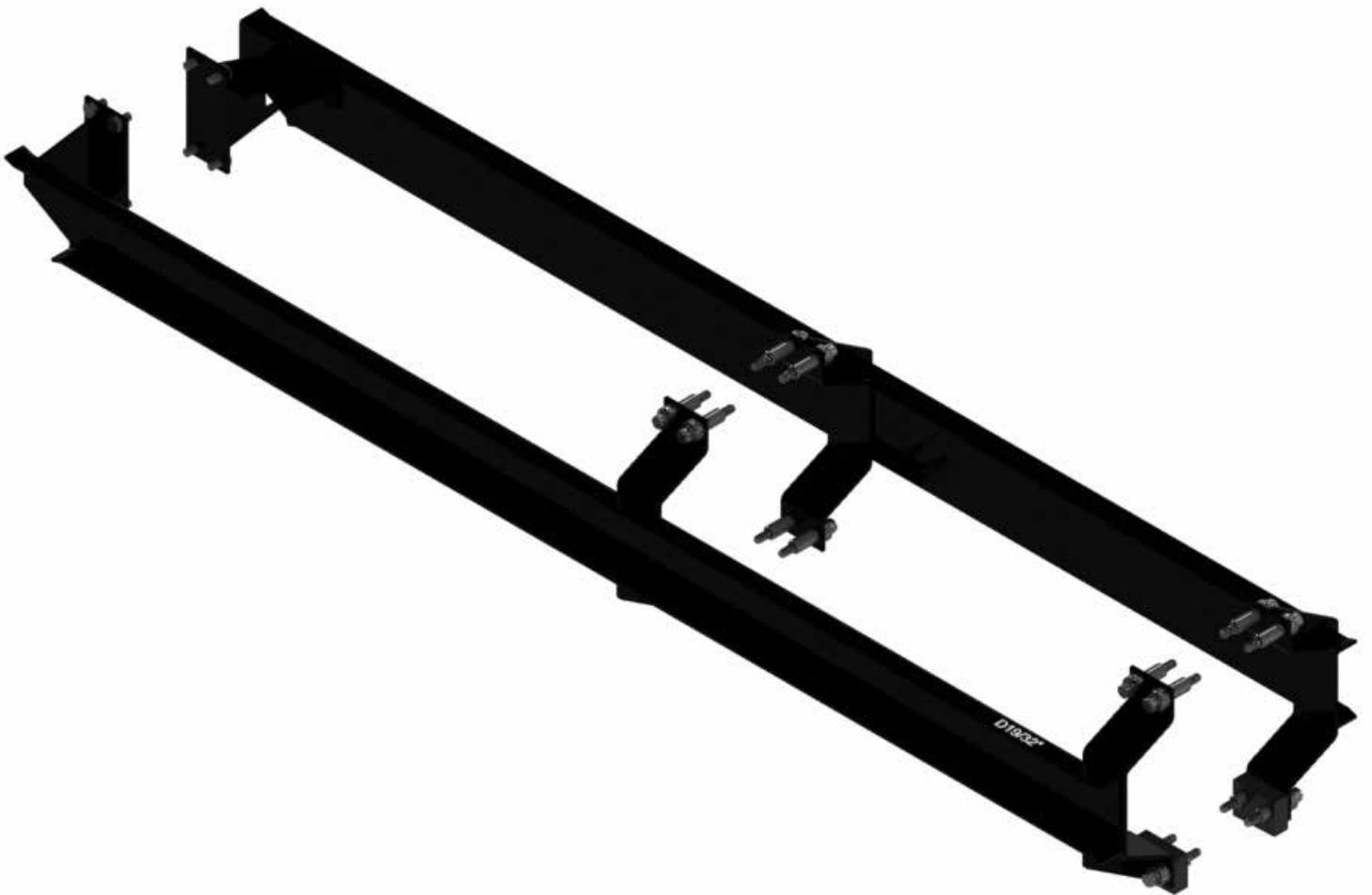


ITEM NO.	PART NUMBER	DESCRIPTION	QTY.
1	203177	LOWER HYDRAULIC BLOCK/COUNTER BALANCE VALVE	1
2	203122	CBGG-LJN COUNTERBALANCE VALVE	1
3	203124	3/4-1 1/16 - 12 JIC Straight Thread Connectors 37° Flare/SAE-ORB 12 F50X	1
4	203112	3/4-1 1/16 - 12 JIC 90 Thread Connectors 37° Flare /SAEORB 12 C50X	2
5	203125	G1/4 PLUG	1
6	203172	O-RING 2-214 24.99 X 3.53	1
7	207116	10MM HI COLLAR LOCK WASHER	4
8	207115	10MM-1.5 X 70 SOCKET HEAD CAP SCREW	4
9	203138	12 FNTX-S CAP	2

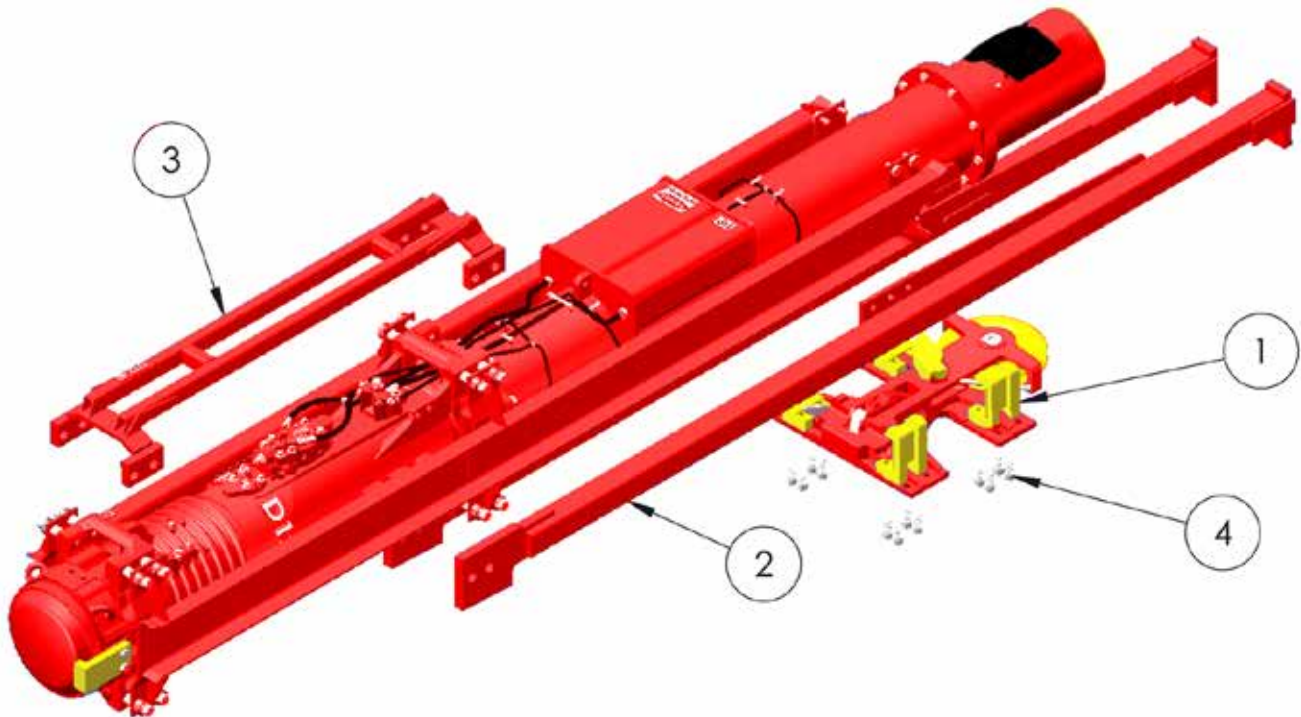
**PILECO, Inc.**

office (936)494-4200 • 1-800-409-0018 • fax (936)494-4517  
[www.Pileco.com](http://www.Pileco.com) • 491 Conroe Park W. Dr. • Conroe, TX 77303

# ***Guides***



## Guide Gibs and Starter Guide Assembly



ITEM NO.	PART NUMBER	DESCRIPTION	QTY.
1	203132	GUIDE GIB	4
2	202204	D12 STARTER GUIDES	1
3	202201	D12 PUMP GAURD	1
4	203133	24MM-3.0 X 50 SOCKET HEAD CAP SCREW	8

**PILECO, Inc.**

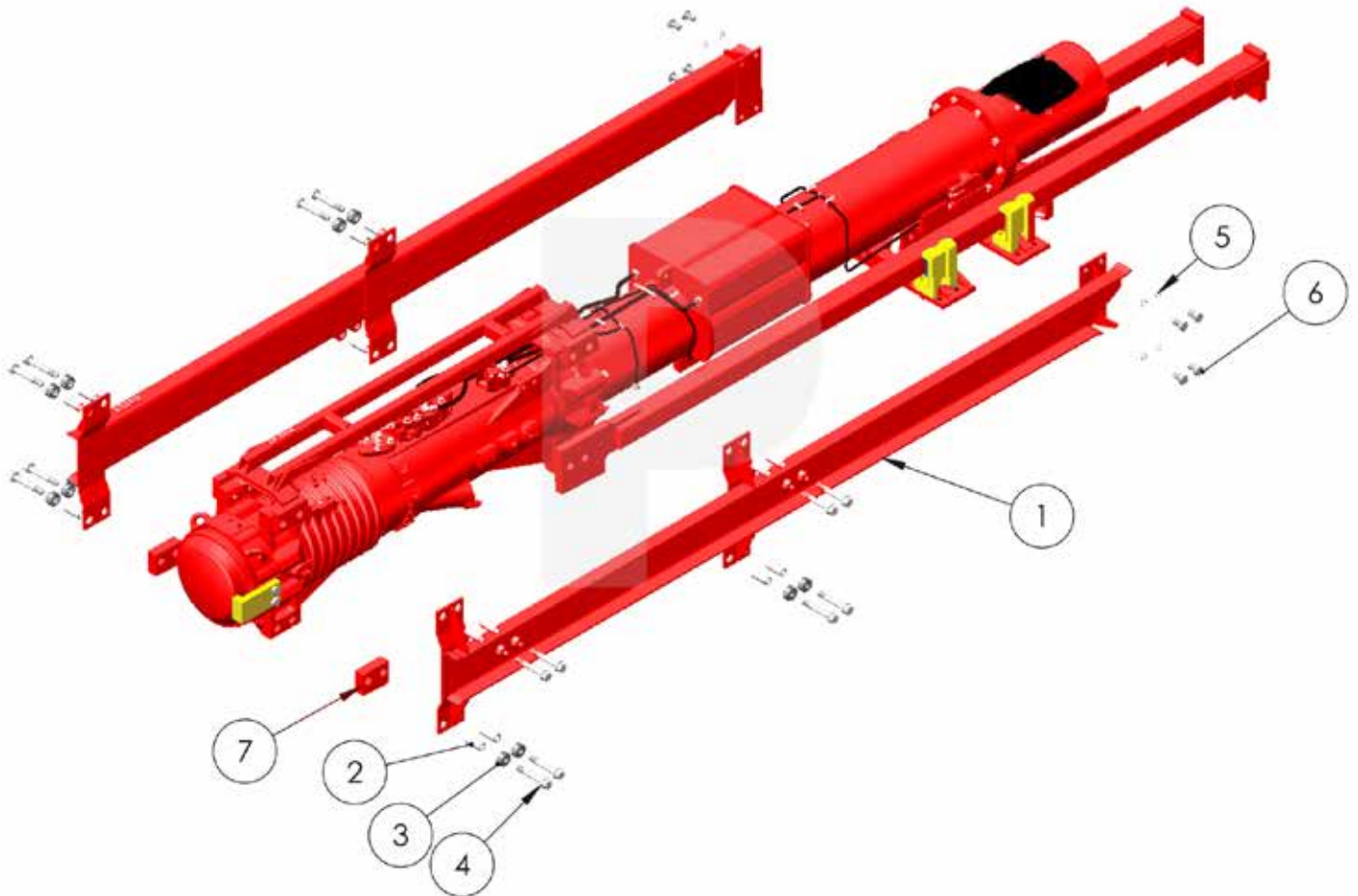
office (936)494-4200 • 1-800-409-0018 • fax (936)494-4517  
 www.Pileco.com • 491 Conroe Park W. Dr. • Conroe, TX 77303

**D12 GUIDING HARDWARE  
Assembly Kit**


ITEM NO.	PART NUMBER	DESCRIPTION	QTY.
1	39991	SPACER	16
2	95195A	DOWEL PIN	16
3	20174	M24 X 165 HEX BOLT	16
4	203130	24-3.0 X 45 HEX HEAD CAPSCREW	8
5	203131	24MM SCHNORR SAFETY WASHER	8

**PILECO, Inc.**

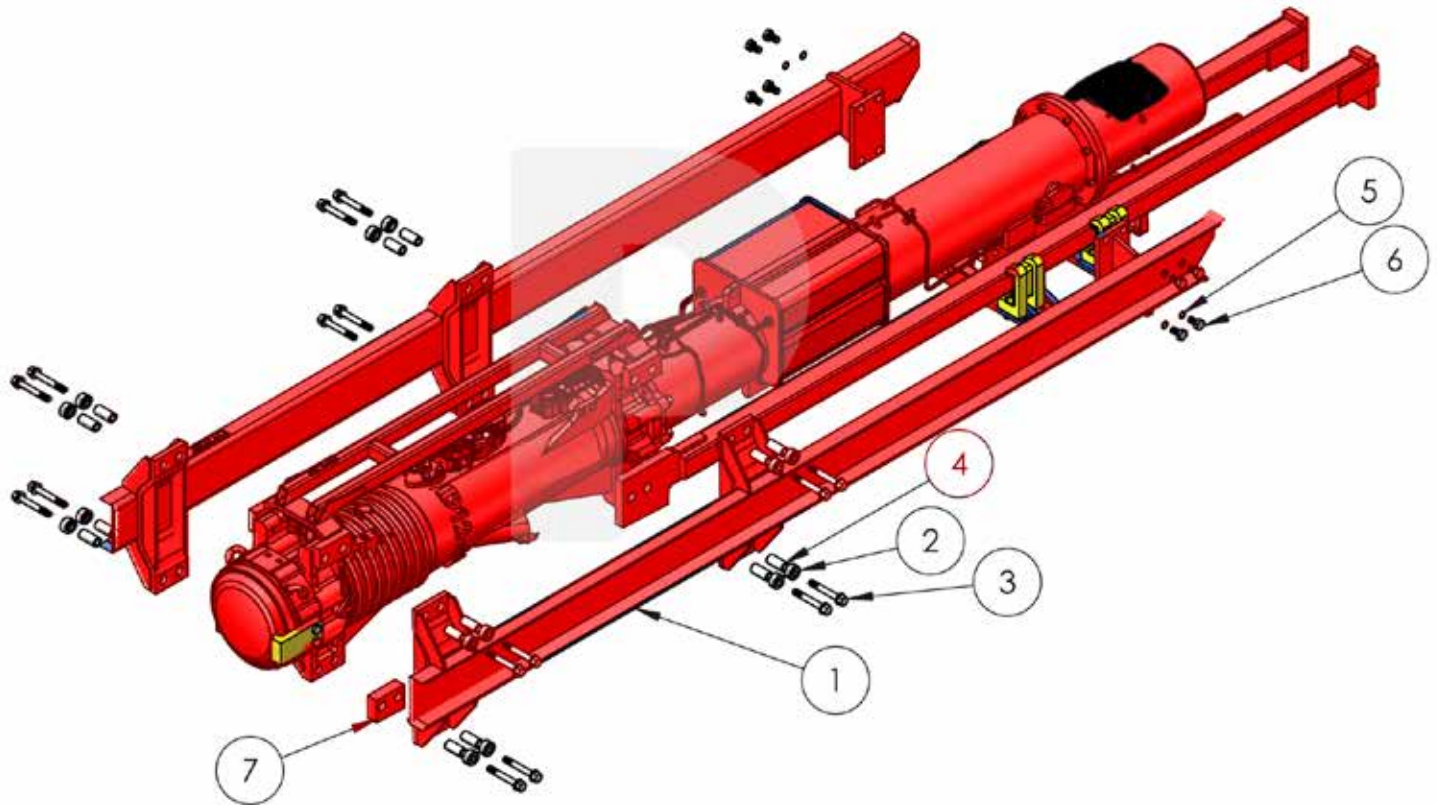
office (936)494-4200 • 1-800-409-0018 • fax (936)494-4517  
www.Pileco.com • 491 Conroe Park W. Dr. • Conroe, TX 77303

**D12 U-21 X 8 LEAD GUIDING  
Assembly**


ITEM NO.	PART NUMBER	DESCRIPTION	QTY.
1	202202	D12 U-21 GUIDING	1
2	95195A	DOWEL PIN	16
3	39991	SPACER	16
4	20174	M24 X 165 HEX BOLT	16
5	203131	24MM SCHNORR SAFETY WASHER	8
6	203130	24-3.0 X 45 HEX HEAD CAPSCREW	8
7	203206	SPACER BLOCK	2

**PILECO, Inc.**

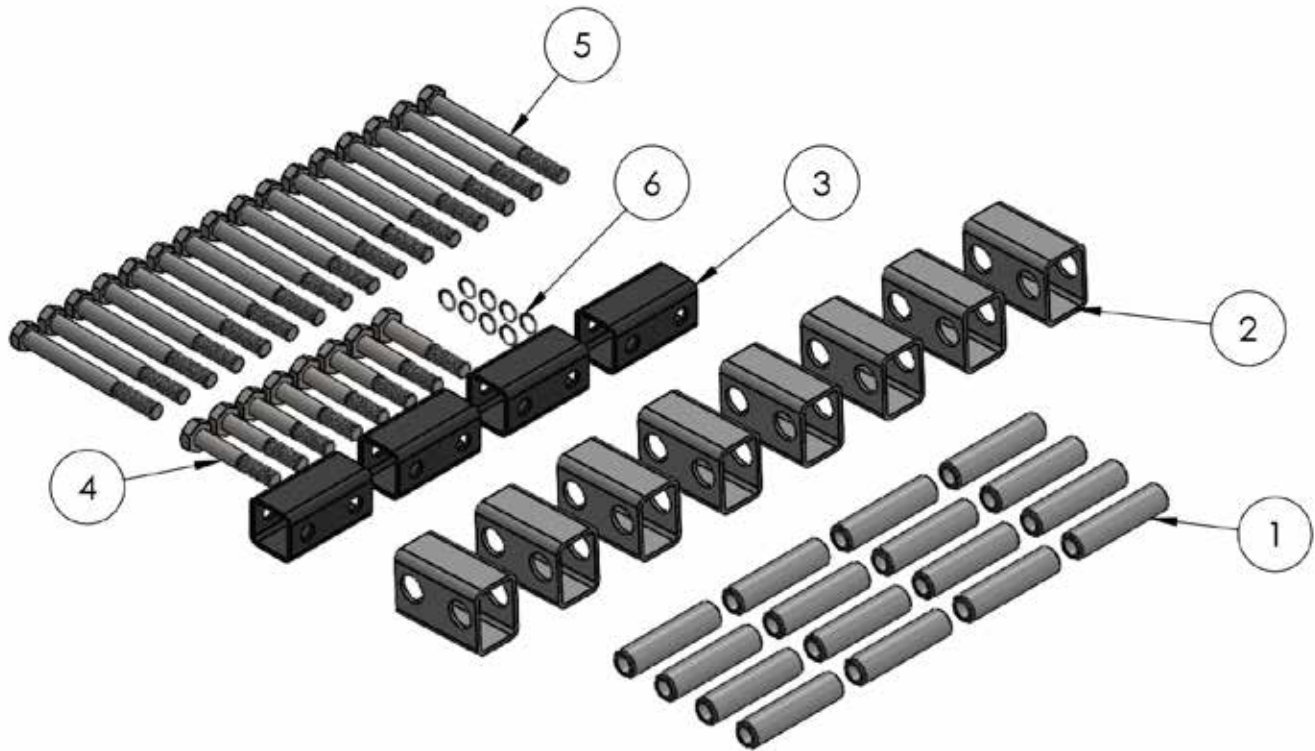
office (936)494-4200 • 1-800-409-0018 • fax (936)494-4517  
www.Pileco.com • 491 Conroe Park W. Dr. • Conroe, TX 77303

**D12 U-26 X 8 LEAD GUIDING  
Assembly**


ITEM NO.	PART NUMBER	DESCRIPTION	QTY.
1	202203	D12 U-26 GUIDING	1
2	39991	SPACER	16
3	20174	M24 X 165 HEX BOLT	16
4	95195A	DOWEL PIN	16
5	203131	24MM SCHNORR SAFETY WASHER	8
6	203130	24-3.0 X 45 HEX HEAD CAPSCREW	8
7	203206	SPACER BLOCK	2

**PILECO, Inc.**

office (936)494-4200 • 1-800-409-0018 • fax (936)494-4517  
www.Pileco.com • 491 Conroe Park W. Dr. • Conroe, TX 77303

**SPACER BLOCK KIT 6"**


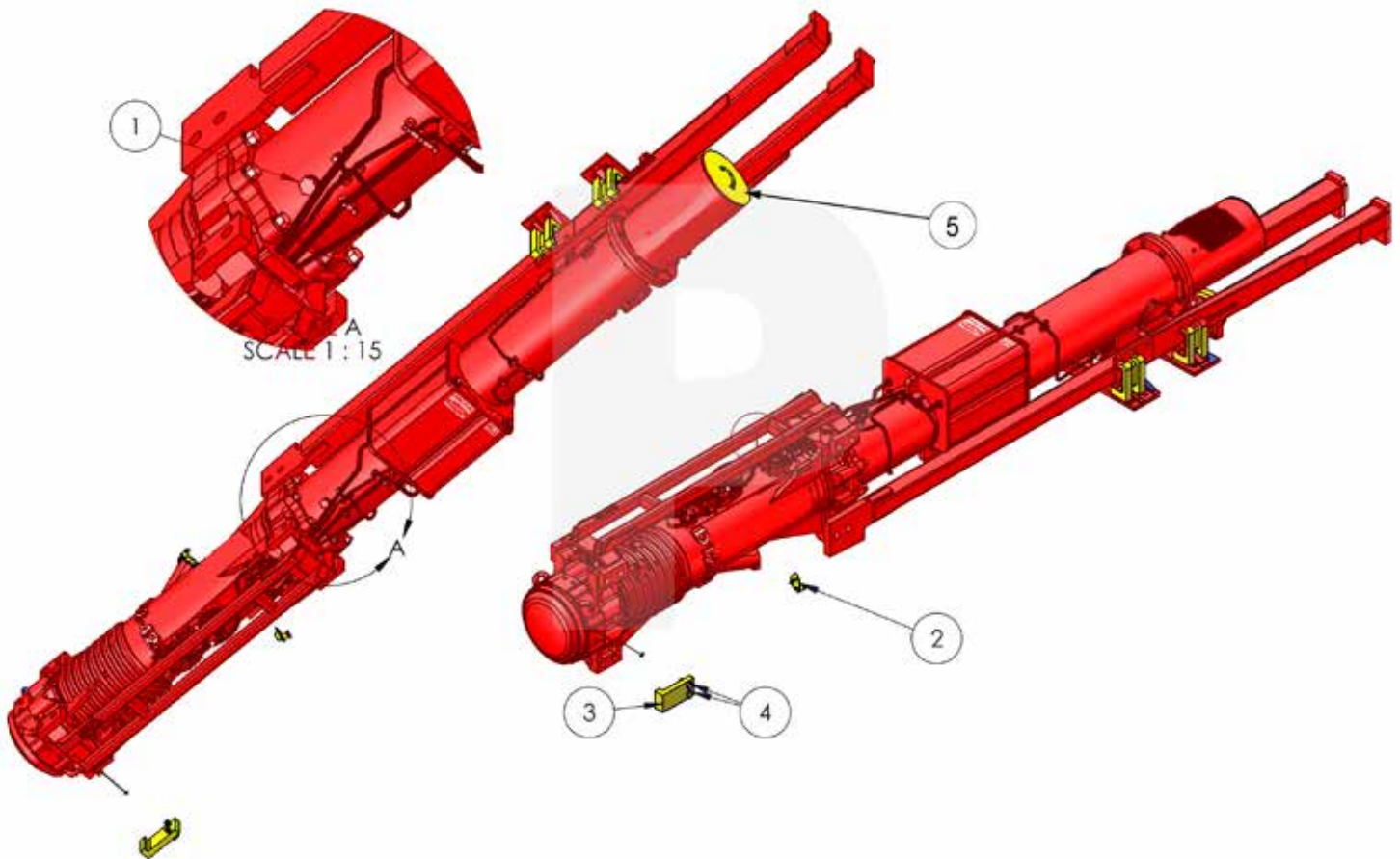
ITEM NO.	PART NO.	DESCRIPTION	QTY.	WEIGHT
1	95195-B	DOWEL PIN	16	35
2	8002421	SPACER BLOCK	8	38
3	8002819	3 X 3 X 1/4 SQ TUBE	4	17
4	8001586	24-3.0MM X140 HEX HEAD CAP SCREW 10.9	8	12
5	8001577	24-3.0MM X 240 HEX HEAD CAPSCREW 10.9	16	34
6	203131	24MM SCHNORR SAFETY WASHER	8	1

**PILECO, Inc.**

office (936)494-4200 • 1-800-409-0018 • fax (936)494-4517  
 www.Pileco.com • 491 Conroe Park W. Dr. • Conroe, TX 77303

# ***Transportation Protection***

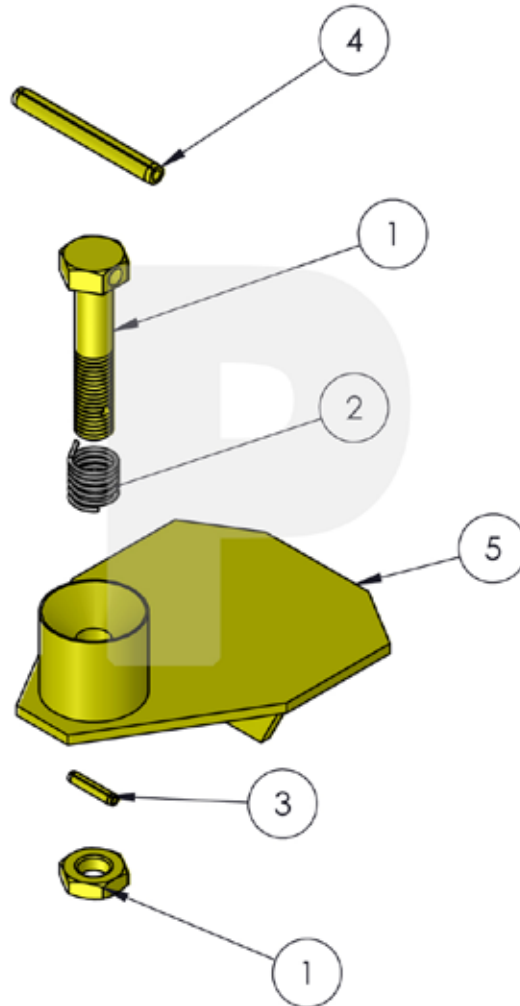
# Transportation Protection Complete



ITEM NO.	PART NUMBER	DESCRIPTION	QTY.
1	16890	LOCKING SCREW	1
2	104963	EXHAUST COVER COMPLETE	2
3	119079	IMPACT BLOCK SECURING CLAMP	1
4	22702	24MM-3 X 60 HEX HEAD CAPSCREW	2
5	119050	PROTECTION CAP	1

**PILECO, Inc.**

office (936)494-4200 • 1-800-409-0018 • fax (936)494-4517  
 www.Pileco.com • 491 Conroe Park W. Dr. • Conroe, TX 77303

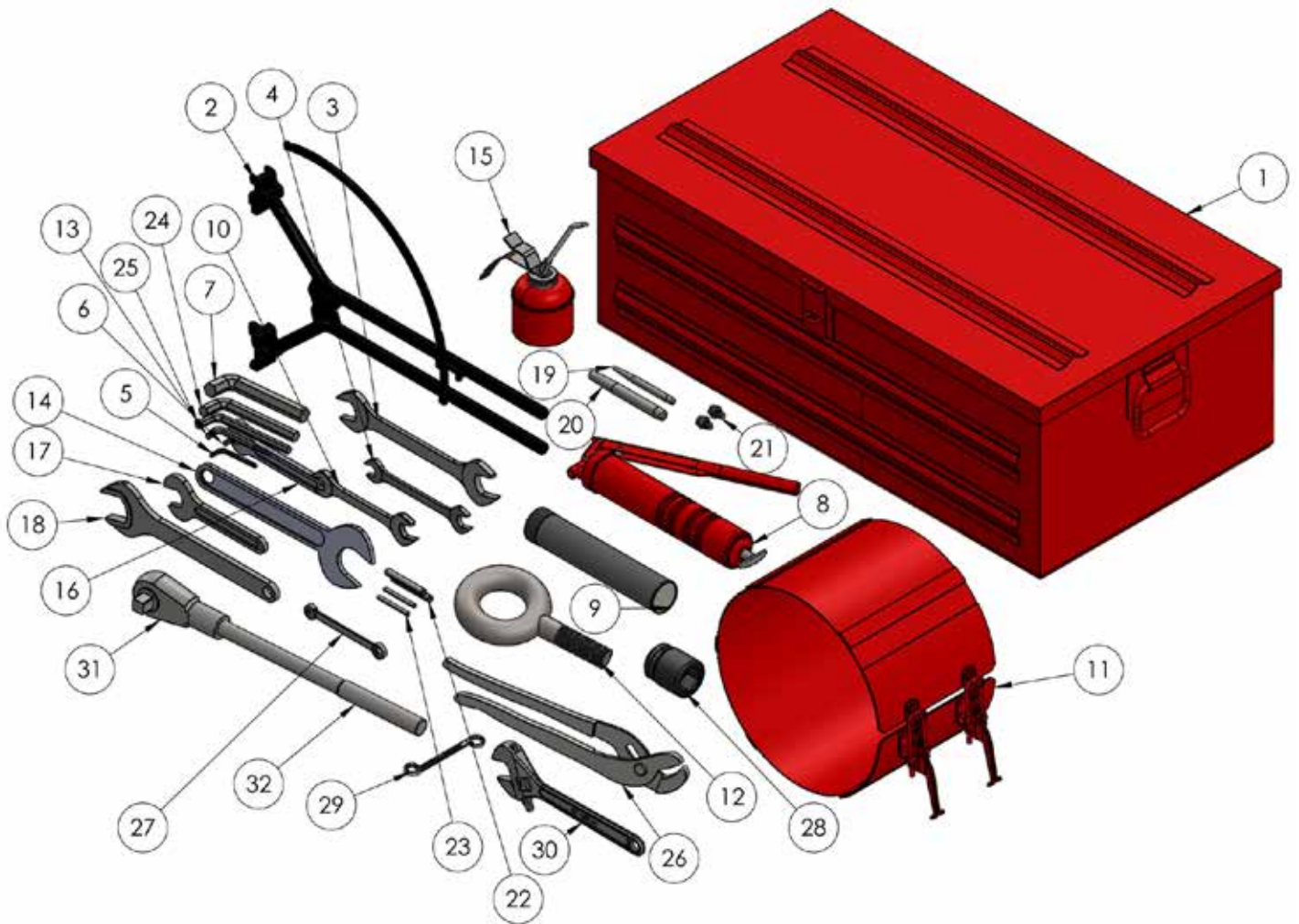
**Exhaust Cover  
Complete**


ITEM NO.	PART NUMBER	DESCRIPTION	QTY.
1	20076	SCREW COMPLETE	1
2	190479	PRESSURE SPRING 7, 3 X 29, 4 X 1, 2	1
3	91144	DOWEL PIN 3 X 20	1
4	90661	5MM X 50 DOWEL PIN	1
5	104964	COVER	1

**PILECO, Inc.**

office (936)494-4200 • 1-800-409-0018 • fax (936)494-4517  
 www.Pileco.com • 491 Conroe Park W. Dr. • Conroe, TX 77303

**Tool Box**



**PILECO, Inc.**

office (936)494-4200 • 1-800-409-0018 • fax (936)494-4517  
www.Pileco.com • 491 Conroe Park W. Dr. • Conroe, TX 77303

ITEM NO.	PART NUMBER	DESCRIPTION	QTY.
1	90890	TOOL BOX PART	1
2	626	PISTON RING FITTING PLIERS COMPLETE	1
3	90655	30 X 32 DOUBLE ENDED OPEN WRENCH	1
4	92015	17 X 19 DOUBLE ENDED OPEN WRENCH	1
5	90055	5MM HEX KEY	1
6	90862	6MM HEX KEY	1
7	90194	19MM HEX KEY	1
8	90795	GREASE GUN, 14 OZ	1
9	93551	MOLYLUBE GREASE	1
10	90443	19 X 22 OPEN END WRENCH	1
11	202013	PISTON RING BAND	1
12	91336	M30 RING SCREW	1
13	90657	8MM HEX KEY	1
14	90184	46MM WRENCH	1
15	93600	OIL CAN	1
16	95071	17MM WRENCH SINGLE OPEN END	1
17	90465	27MM SINGLE ENDED OPEN WRENCH	1
18	205015	41MM SINGLE ENDED OPEN WRENCH	1
19	90354	PUNCH 4/8 DIAMETER	1
20	93349	PUNCH 12/16 DIAMETER	1
21	90791	GREASE NIPPLE M10 X 1	2
22	91321	10MM X 75 ROLL PIN	2
23	90160	6MM X 60 ROLL PIN	2
24	90079	14MM HEX KEY	1
25	90496	10MM HEX KEY	1
26	90785	PLIERS A19	1
27	261513	13 X 15 DOUBLE ENDED RING WRENCH	1
28	94461	IMPACT SOCKET 36MM	1
29	95834	WRENCH 22 X 24	1
30	93352	SPANNER 375×46	1
31	90196	RACHET	1
32	205014	BAR 525X20	1

**PILECO, Inc.**

office (936)494-4200 • 1-800-409-0018 • fax (936)494-4517  
 www.Pileco.com • 491 Conroe Park W. Dr. • Conroe, TX 77303